

Features

- Luxury Height® elongated bowl.
- Two-piece design.
- Pro Force® flushing technology.
- 1.6 gpf (6 lpf).
- 8" (203 mm) x 9" (229 mm) water surface.
- Fully-glazed 2-inch trapway.
- 12" (305 mm) rough-in.
- Includes left-hand polished chrome trip lever.
- Less seat and supply.
- 29-1/4" (743 mm) x 16-7/8" (429 mm) x 30-1/2" (775 mm)

Material

- Vitreous china.

Installation

- Floor-mount/floor outlet.

Optional Accessories

K-4774 Toilet Seat

Components

Product includes:

404515 Toilet Tank

403315 Toilet Bowl

Additional included component/s: Tank cover, trip lever, tank hardware accessory pack, and bolt caps.



ADA **CSA B651** **OBC**

Codes/Standards



ASME A112.19.2/CSA B45.1
DOE - Energy Policy Act 1992
ADA
ICC/ANSI A117.1
CSA B651
OBC

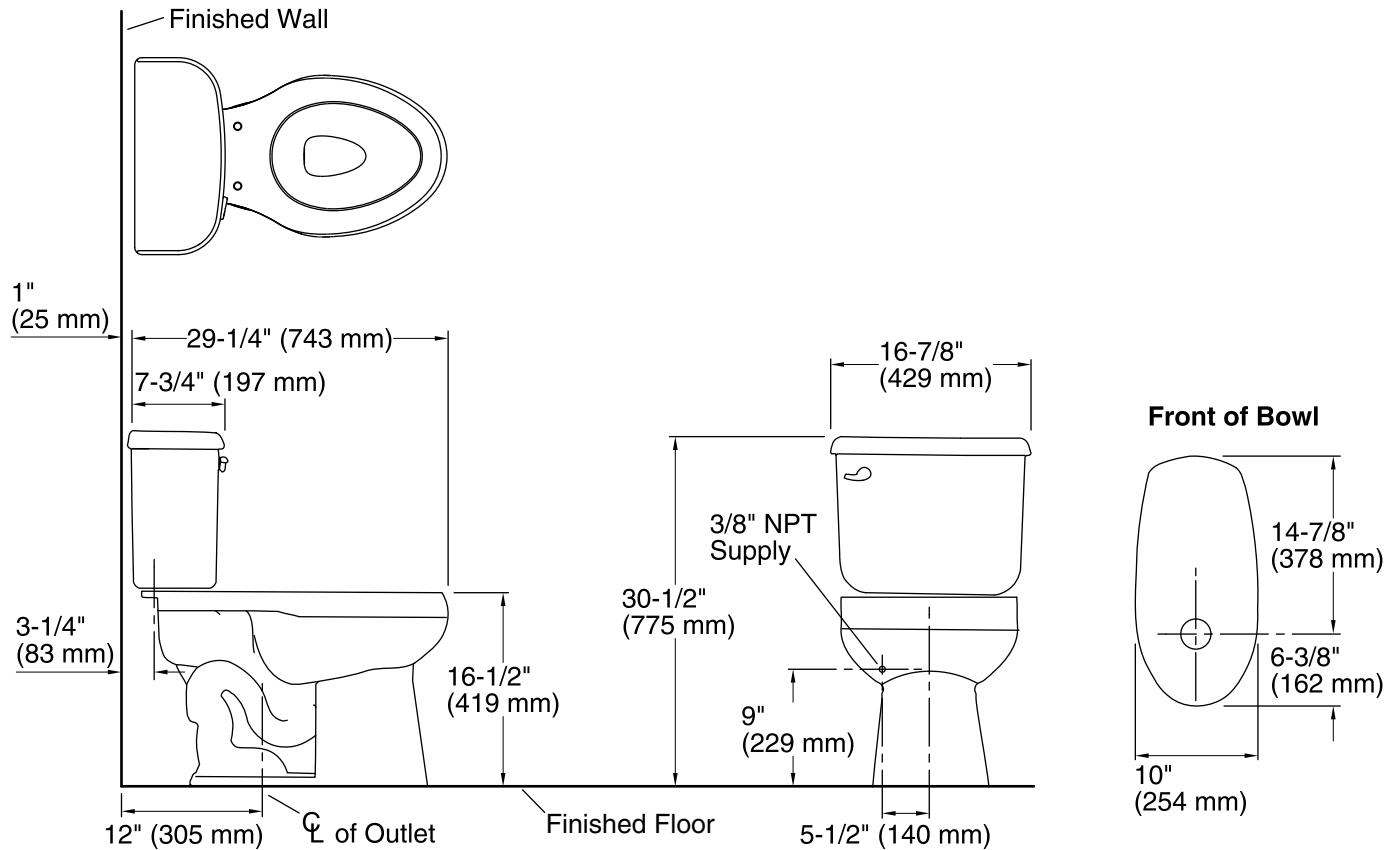
STERLING® Warranty - Toilets and Lavatories

See website for detailed warranty information.

Available Color/Finishes

Color tiles intended for reference only.

Color	Code	Description
	0	White
	96	KOHLER Biscuit



Technical Information

All product dimensions are nominal.

- Toilet type: Two-piece, Floor-mount
- Waste Outlet: Floor
- Bowl shape: Elongated front
- Flush type: Gravity siphon rim jet
- Trap passageway: 2" (51 mm)
- Water Consumption
 - Full: 1.6 gpf (6 lpf)
- Water surface size: 8" x 9" (203 mm x 229 mm)
- Rough-in: 12" (305 mm)
- Seat-mounting holes: 5-1/2" (140 mm)

Notes

- Install this product according to the installation instructions.
- Measure your actual product for roughing-in details.
- ADA, OBC, CSA B651 compliant when installed to the specific requirements of these regulations.
- Plumbing Codes require elongated toilets and elongated, open-front toilet seats in public bathrooms.
- Accessibility standards require controls to be located on the open side of the toilet.