

Features

- Rectangular bowl.
- No faucet holes; requires wall- or counter-mount faucet.
- Luster finish.
- Includes reveal and no-reveal option.
- SilentShield® sound-absorption technology offers quieter performance.
- 11600 = single pack.
- J11600 = 3 per pack.
- T11600 = 20 per pack.
- F11600 = 40 per pack.
- Minimum base cabinet width: 33"-36" (33" cabinet may require cabinet modifications).
- 29-1/2" (749 mm) x 15-3/4" (400 mm) x 9-5/16" (237 mm)

Material

- 18-gauge stainless steel.

Installation

- Under-mount.

Recommended Accessories

7400 Duostrainer™ Sink Strainer
11867 Bottom Bowl Rack

Components

Product includes:
91915 Hardware Kit

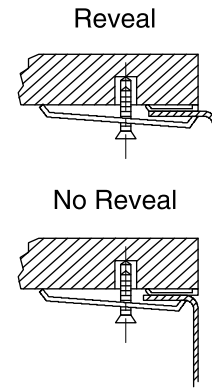
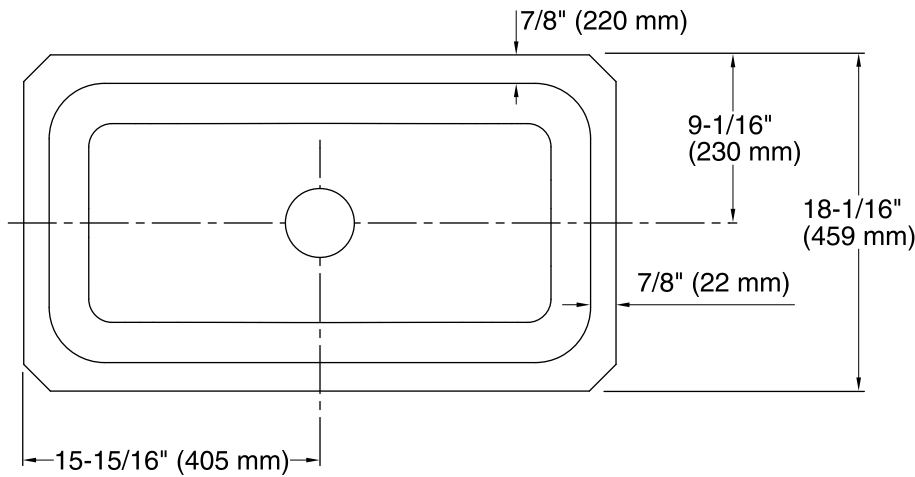


Codes/Standards

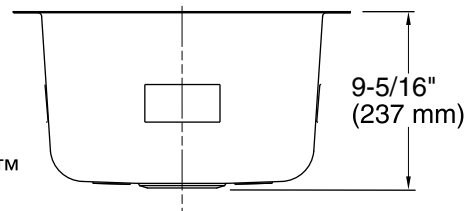
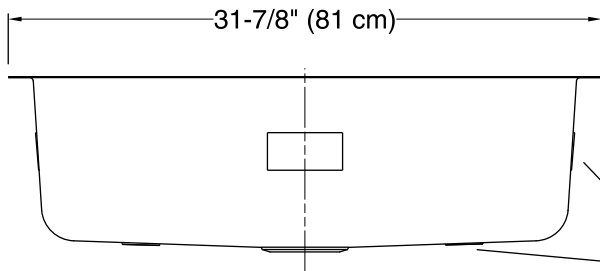
ASME A112.19.3/CSA B45.4

STERLING® Warranty - Stainless Steel Sinks

See website for detailed warranty information.



Mounting bracket assembly provides a secure installation.



Technical Information

All product dimensions are nominal.

- Bowl configuration: Single
- Installation: Under-mount
- Min. base cabinet width: 36" (914 mm)
- Bowl area (Only)
 - Length: 29-1/2" (749 mm)
 - Width: 15-3/4" (400 mm)
 - Bowl depth: 9" (229 mm)
 - Water depth: 9" (229 mm)
- Drain hole: 3-5/8" (92 mm)
- Template: 1062109-7, required, included

Notes

- Install this product according to the installation instructions.
- Measure your actual product for roughing-in details.
- Use the supplied cut-out template to select either a hidden or exposed rim.
- Minimum base cabinet width: 33"-36" (33" cabinet may require cabinet modifications). Consult an installer for confirmation before proceeding.