

Features

- Double (equal) rectangular bowls.
- No faucet holes; requires wall- or counter-mount faucet.
- Luster finish.
- Includes reveal and no-reveal option.
- SilentShield® sound-absorption technology offers quieter performance.
- 11406 = single pack.
- J11406 = 3 per pack.
- F11406 = 40 per pack.
- Minimum base cabinet width: 33"-36" (33" cabinet may require cabinet modifications).
- 32" (813 mm) x 18" (457 mm) x 8-1/16" (205 mm)

Material

- 20-gauge stainless steel.

Installation

- Under-mount.

Recommended Accessories

7400 Duostrainer™ Sink Strainer
11861 Bottom Bowl Rack
K-6139 Sponge Caddy

Components

Product includes:

91915 Hardware Kit

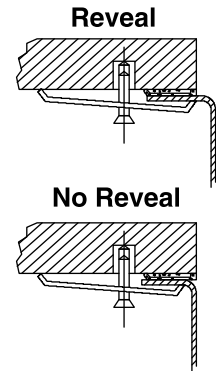
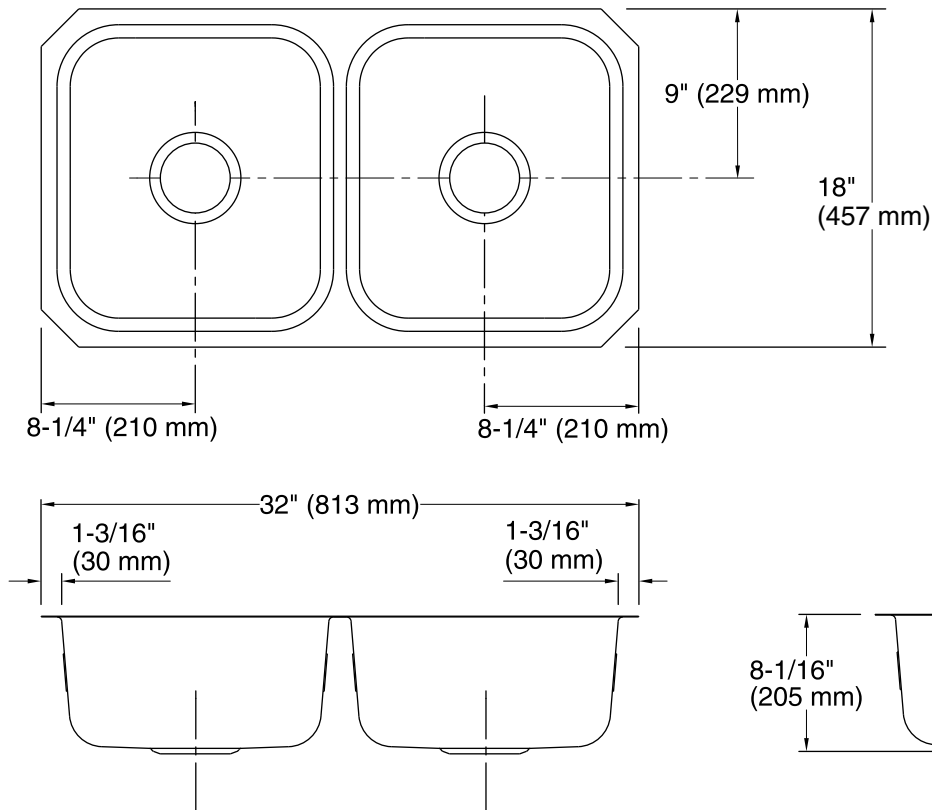


Codes/Standards

ASME A112.19.3/CSA B45.4

STERLING® Warranty - Stainless Steel Sinks

See website for detailed warranty information.



Mounting bracket assembly provides a secure installation.

Technical Information

All product dimensions are nominal.

Bowl configuration:	Double equal
Installation:	Under-mount
Min. base cabinet width:	36" (914 mm)
Bowl area (Left)	Length: 14-1/8" (359 mm) Width: 15-3/4" (400 mm) Bowl depth: 8-1/16" (205 mm) Water depth: 8-1/16" (205 mm)
Bowl area (Right)	Length: 14-1/8" (359 mm) Width: 15-3/4" (400 mm) Bowl depth: 8-1/16" (205 mm) Water depth: 8-1/16" (205 mm)
Drain hole:	3-5/8" (92 mm)
Template:	1041962-7, required, included

Notes

Install this product according to the installation instructions.

Measure your actual product for roughing-in details.

Use the supplied cut-out template to select either a hidden or exposed rim.

Minimum base cabinet width: 33"-36" (33" cabinet may require cabinet modifications). Consult an installer for confirmation before proceeding.