



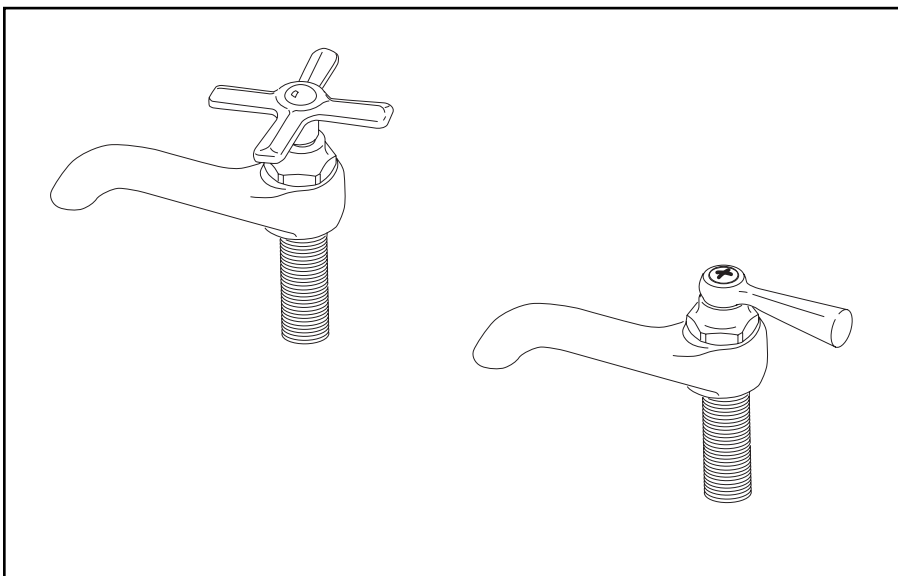
STRONG. PROFESSIONAL. DESIGN.™
SPECIFICATIONS

Bath Classics™ Compression Single Hole Mount Faucet

Models 22710, 22810

Standard Features

- Maximum operating input water pressure80 psi
- Maximum pressure125 psi
- Maximum flow rate....2.0 gpm at 60 psi
(see chart)
- Supply Connectors.....Cast Shanks
- Valve TypeCompression valving
- Installation Requirements
.....1 1/8" Diameter Sink Hole
- Finish.....chrome



Standards and Ratings

- ASME A112.18.1M American Society of Mechanical Engineers Standard: "Plumbing Fixtures Fittings"

Optional Features

- Lever Handle
- Four Arm Handle

Features

Chrome plated

Compression valving

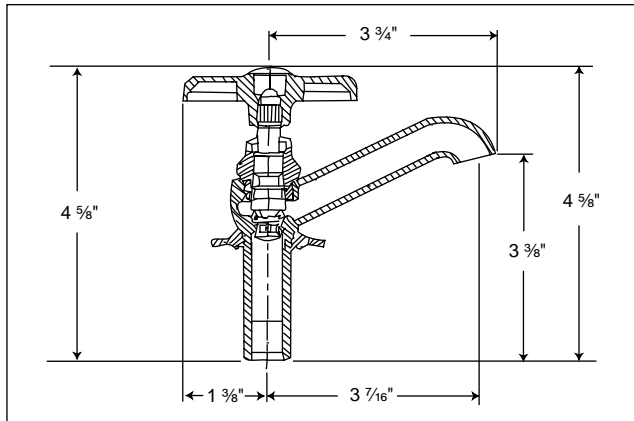
Benefits

Durable and easy to clean

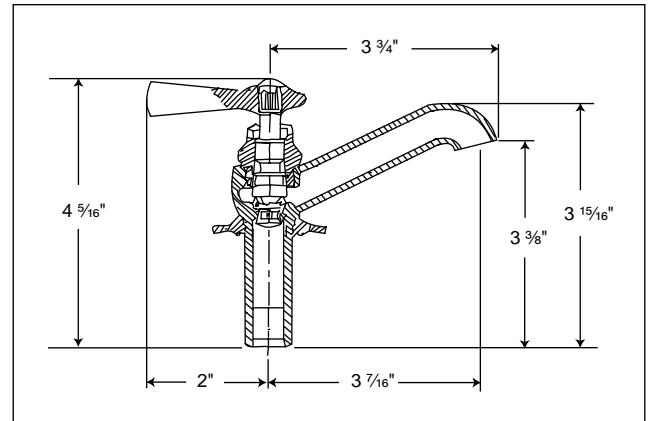
Proven drip-free performance. Ideal for hard water areas. Easy and inexpensive to repair.

Bath Classics™
Compression
Single Hole Mount Faucet
 Models 22710, 22810

D I M E N S I O N S

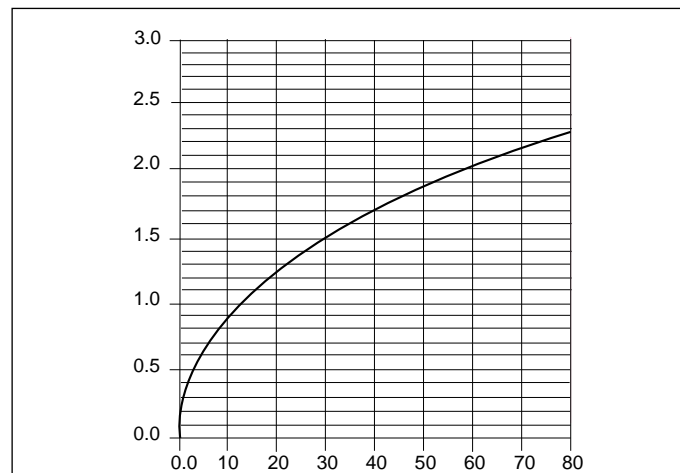


Single Hole Mount Faucet with four arm handle



Single Hole Mount Faucet with lever handle

FLOWRATE (gpm)



**LINE PRESSURE
 P.S.I. GAUGE**



STRONG. PROFESSIONAL. DESIGN.™