

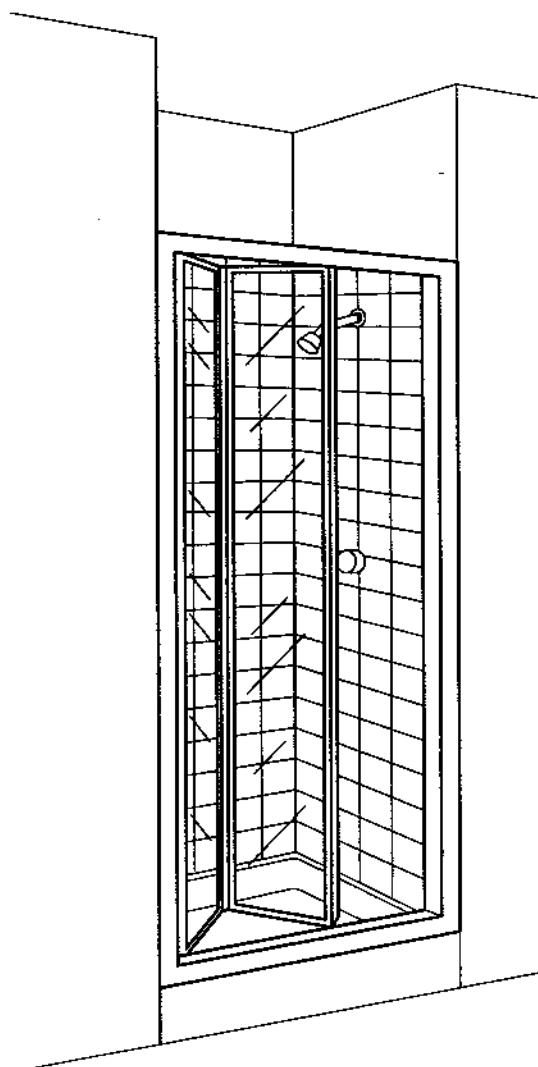


# BIFOLD SHOWER DOOR Series 3200

## INSTALLATION INSTRUCTIONS

*Please read these instructions carefully to familiarize yourself with the required tools, materials, and installation sequences. The Exploded Diagram of the door on page 3 will also provide a helpful reference when relating the location of the various parts.*

**IMPORTANT:** You should check with your local plumbing or building code agency about this product for compliance before it is installed.



**CAUTION:** If this door is to be installed with an end panel, discard these installation instructions and use the installation instructions packed with the end panel.

**IMPORTANT:** You should check with your local plumbing or building code agency about this product for compliance before it is installed.

---

## basic tools and materials needed

### TOOLS

6 FOOT FOLDING RULE OR MEASURING TAPE  
HAMMER  
ELECTRIC DRILL  
DRILL BIT—3/16"  
MASONRY BIT FOR CERAMIC TILE—3/16"  
SCREWDRIVER—PHILLIPS AND FLAT  
LEVEL  
PENCIL  
SAFETY GLASSES  
CAULKING GUN  
CENTER PUNCH

### MATERIALS

INSTALLED WALL COVERING AND  
SHOWER FLOOR  
CAULK

---

## how to care for your door

NEVER USE SCOURING POWDER PADS OR SHARP INSTRUMENTS ON METAL WORK OR GLASS PANELS.

The use of a squeegee following each shower is recommended to eliminate water spots on the inside of the glass panels.

An occasional wiping down with a mild detergent diluted in water is all that is needed to keep the panels and anodized aluminum parts looking new.

---

**CAUTION: Tempered glass can not be cut.**

---

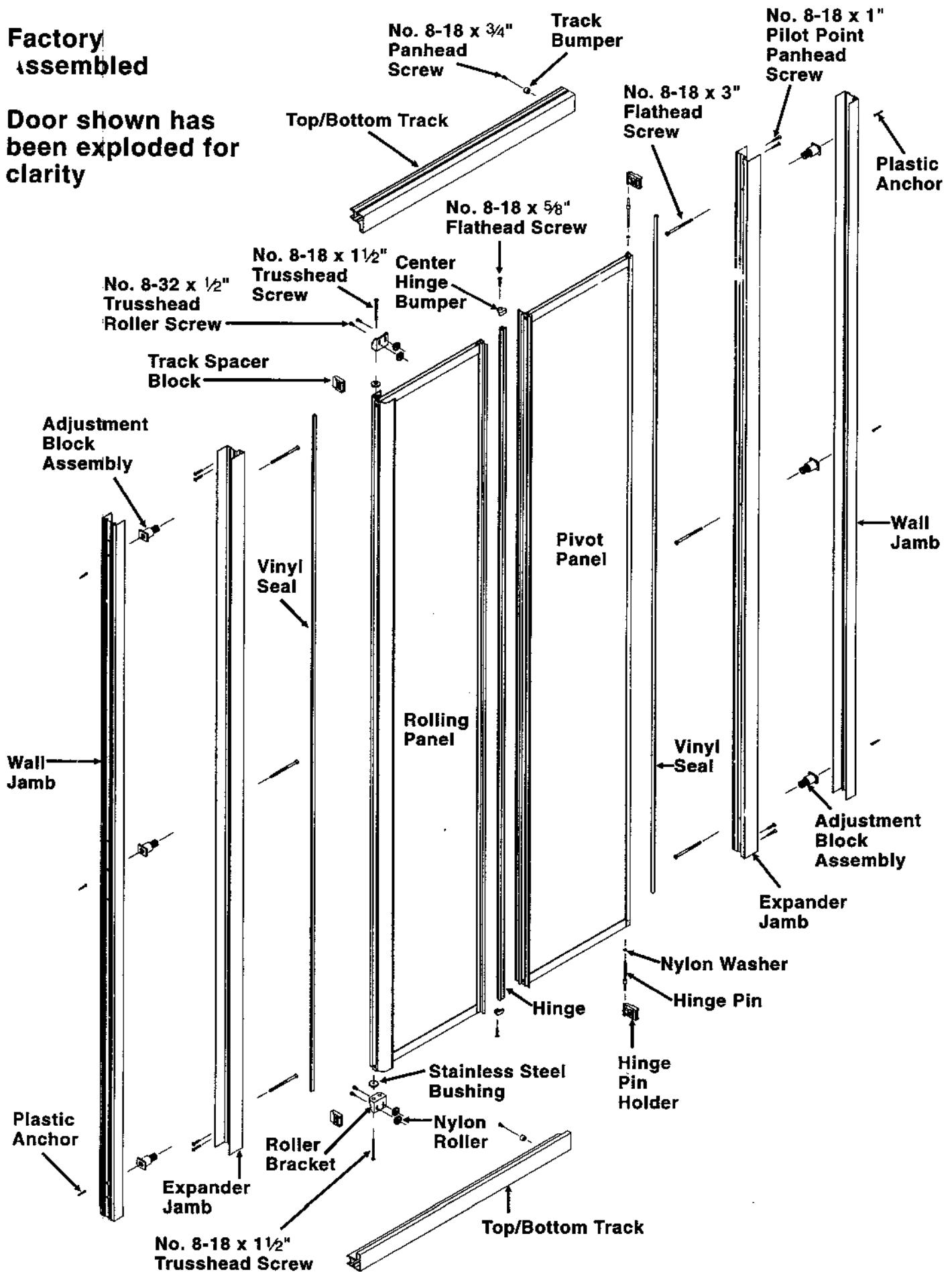
**CAUTION:** Allow caulk and adhesive used on shower floor and wall covering to set 24 hours before installing shower door.

Failure to caulk shower floor and wall covering and allowing to set 24 hours before installing shower door will result in leakage and damage.

# PART NAMES

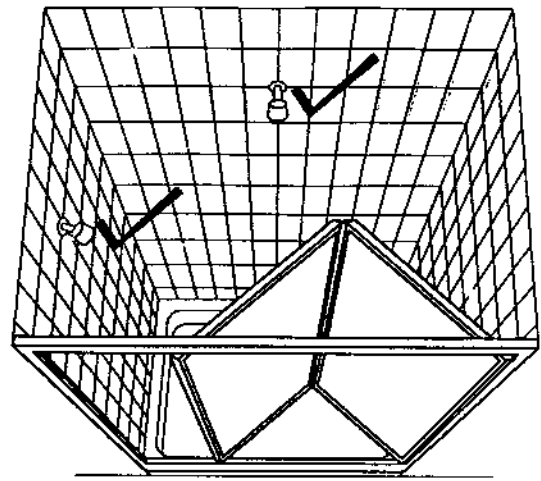
Factory assembled

Door shown has been exploded for clarity



# 1 DETERMINING OPENING SIDE

Decide whether the door should open left or right. It is recommended that the pivot side should be opposite the shower head so that when the door opens toward the inside it does not strike the shower head.



# 2 MARKING AND DRILLING WALL JAMB MOUNTING HOLES

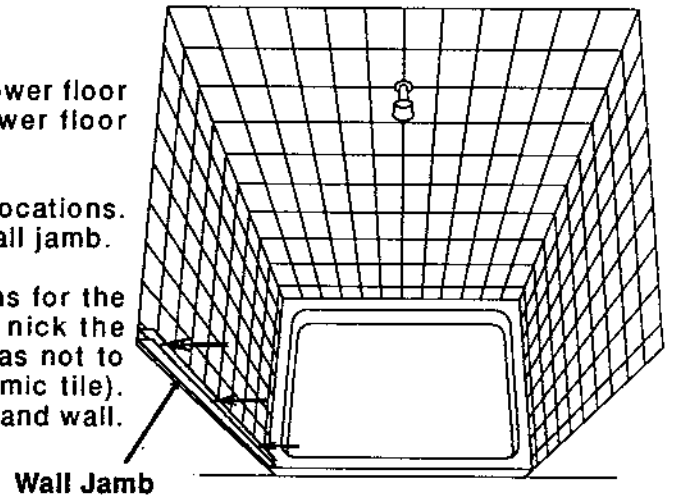
Place the door against wall and carefully remove all packaging material. **NOTE: Be sure to support door in center to prevent the door from suddenly sliding open as this could result in damage to the door frames.**

Remove the wall jambs from expander jambs.

Position one wall jamb against the wall and on the shower floor edge  $\frac{1}{8}$ " to  $\frac{1}{4}$ " in from the outside edge of the shower floor ledge.

Using a level, plumb the wall jamb and mark the 3 hole locations. With a pencil mark the outside edge location of the wall jamb.

With a center punch, lightly punch the 3 hole locations for the wall jamb. (On ceramic tile, use a center punch to nick the surface glaze. Tap the punch lightly with hammer so as not to crack tile). Use a  $\frac{3}{16}$ " drill bit (a masonry bit for ceramic tile). After drilling, thoroughly clean the shower floor ledge and wall. Insert plastic anchors in all 3 holes.



# 3 INSTALLING ADJUSTMENT BLOCKS

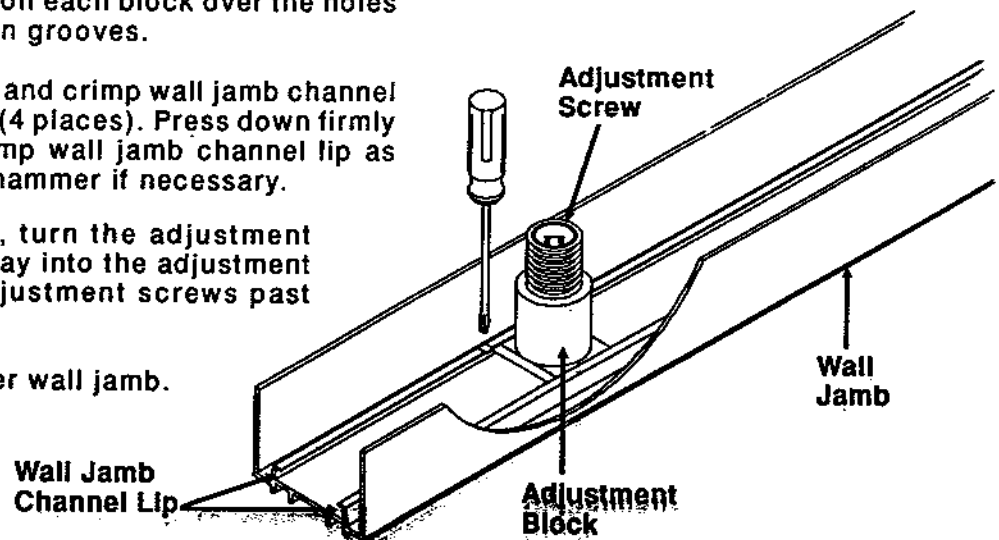
Slide 3 adjustment block assemblies into the channel of the wall jamb as shown. Position each block over the holes located between the 2 location grooves.

To secure block, hold in place and crimp wall jamb channel lip on both sides of the block, (4 places). Press down firmly with screwdriver blade to crimp wall jamb channel lip as shown. Tap screwdriver with hammer if necessary.

Using a phillips screwdriver, turn the adjustment screws until they are all the way into the adjustment blocks. Do not screw the adjustment screws past flush.

Repeat procedure for the other wall jamb.

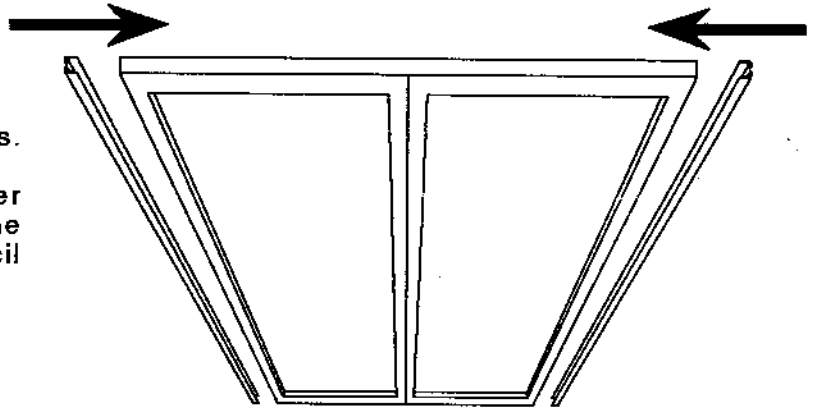
LAY WALL JAMB ON A FLAT SURFACE



## 4 INSTALLING DOOR

Replace the wall jambs into expander jambs.

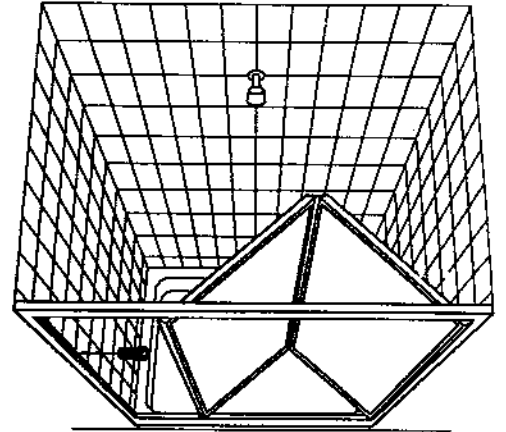
Carefully position the door on the shower floor ledge and center the door within the opening. Line the wall jambs up with pencil marks on wall.



## 5 ADJUSTING WALL JAMBS

Adjust wall jambs by inserting Phillips screwdriver through adjustment holes on either side and turn plastic adjustment screws until the wall jambs contact the wall. Maximum adjustment is  $\frac{3}{4}$ " on each side.

Secure door with 3 No. 8-18 x 3" screws on each side.

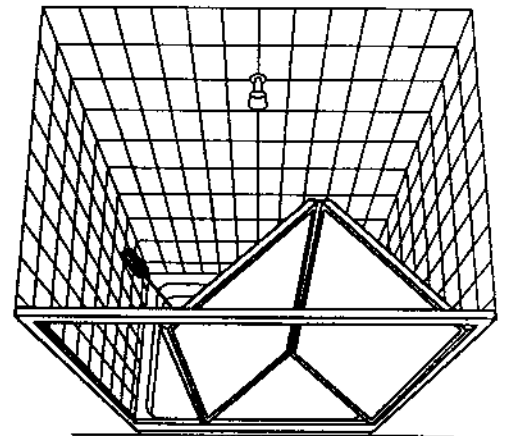


## ADJUSTING ROLLERS

If necessary, from inside the shower, loosen the top and bottom roller screws. Lift the handle side of the door until the top frames are parallel with the top track and tighten the top roller screws. Then adjust bottom rollers as far upwards as possible and tighten screws.

### TEST AND FINAL ADJUSTMENT

Open and close the door and if necessary, remove the center wall jamb mounting screw on the handle side of door. Adjust the door by turning the center plastic adjustment screw in or out as needed.



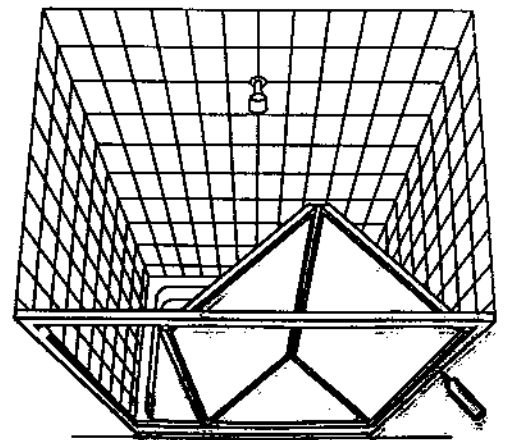
## 7 CAULKING

**CAUTION:** Apply caulk around the outside of the door only. Caulk applied to the inside of the door will cause leakage and damage.

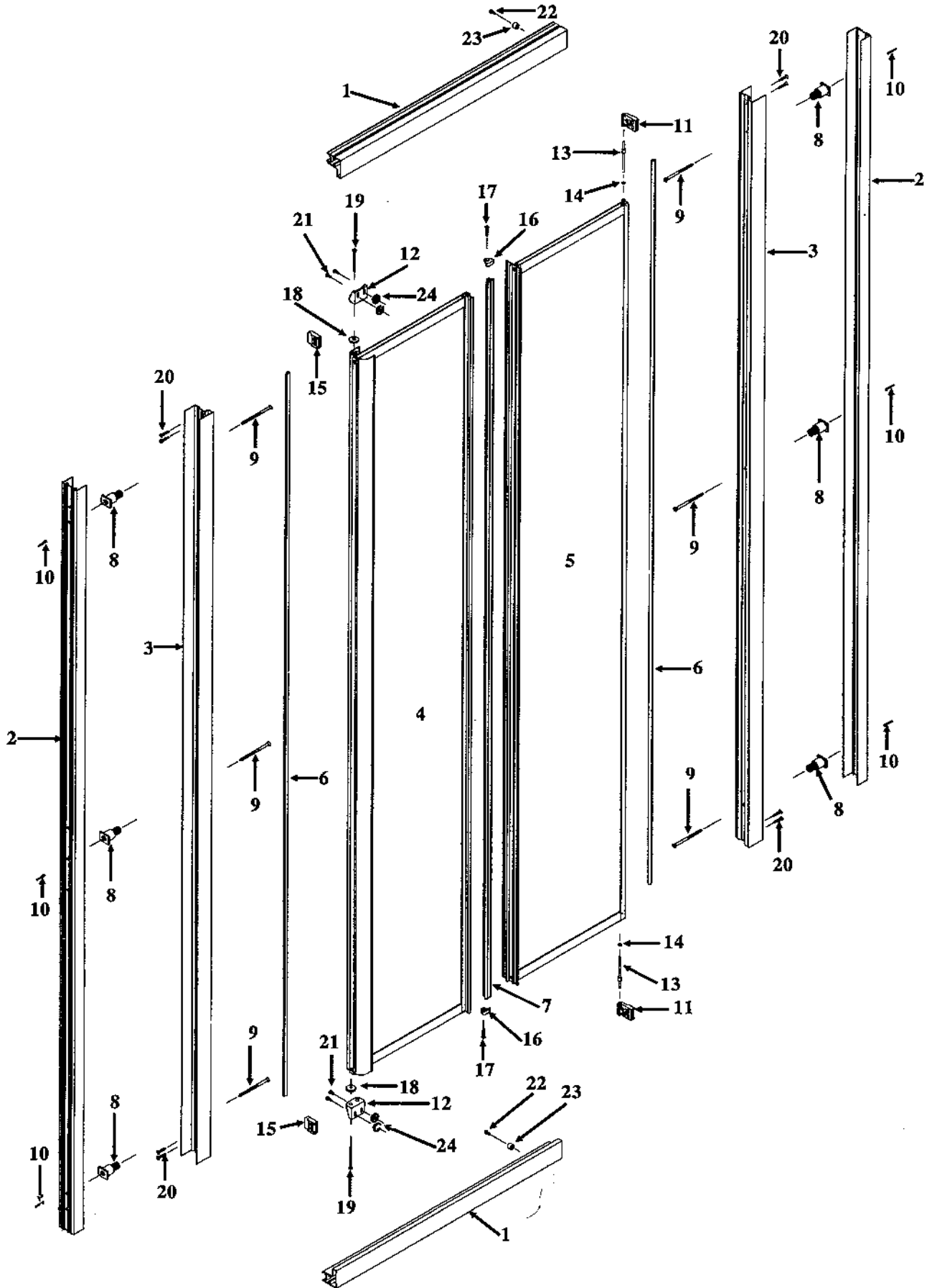
Clean all dust, dirt or grease from the bottom track and shower floor ledge. The areas to be caulked must be thoroughly dry.

Carefully apply a bead of caulk around the outside of the shower where the bottom track meets shower floor ledge and wall jamb meets wall.

**NOTE:** Allow caulk to set 24 hours before using shower.



# PARTS LIST



# PARTS LIST

When ordering parts, specify model number, quantity and color.

Key No.	Description	Qty.	Part Nos. For Models			
			3200-24S	3262-24S	3200-24PB	3262-24PB
			3200-30S	3262-30S	3200-30PB	3262-30PB
			3200-32S	3262-32S	3200-32PB	3262-32PB
			3200-34S	3262-34S	3200-34PB	3262-34PB
			3200-36S	3262-36S	3200-36PB	3262-36PB
			3200-28S		3200-28PB	
1	Top/Bottom Track	2	673909	673909	673910	673910
			673918	673918	673919	673919
			673911	673911	673912	673912
			673913	673913	673914	673914
			673916	673916	673917	673917
			673929		673930	
2	Wall Jamb	2	674403	674403	674404	674404
3	Expander Jamb	2	673803	673803	673804	673804
4	Rolling Panel	1	835401	835407	835402	835408
			835417	835419	835418	835420
			835403	835409	835404	835410
			835405	835411	835406	835412
			835413	835415	835414	835416
			835445		835446	
5	Pivot Panel	1	835501	835507	835502	835508
			835517	835519	835518	835520
			835503	835509	835504	835510
			835505	835511	835506	835512
			835513	835515	835514	835516
			835545		835546	
6	Vinyl Seal	2	521300	521300	521300	521300
7	Hinge	1	674103	674103	674104	674104
8	Adjustment Block Assembly	6	558400	558400	558400	558400
9	No. 8-18 x 3" Flathead Screw	6	310108	310108	310109	310109
10	Plastic Anchor	6	162217	162217	162217	162217
11	Hinge Pin Holder	2	669901	669901	669901	669901
12	Roller Bracket	2	669701	669701	669701	669701
13	Hinge Pin	2	670001	670001	670001	670001
14	Nylon Washer	2	682801	682801	682801	682801
15	Track Spacer Block	2	669801	669801	669801	669801
16	Center Hinge Bumper	2	669601	669601	669601	669601
17	No. 8-18 x 5/8" Flathead Screw	2	310127	310127	310127	310127
18	Stainless Steel Bushing	2	677601	677601	677601	677601
19	No. 8-18 x 1 1/2" Trusshead Screw	2	677802	677802	677802	677802
20	No. 8-18 x 1" Pilot Point Panhead Screw	8	292105	292105	292106	292106
21	No. 8-32 x 1/2" Trusshead Screw	4	535502	535502	535502	535502
22	No. 8-18 x 3/4" Panhead Screw	2	456307	456307	456307	456307
23	Track Bumper	2	679201	679201	679201	679201
24	Nylon Roller	4	622500	622500	622500	622500