

STERLING®

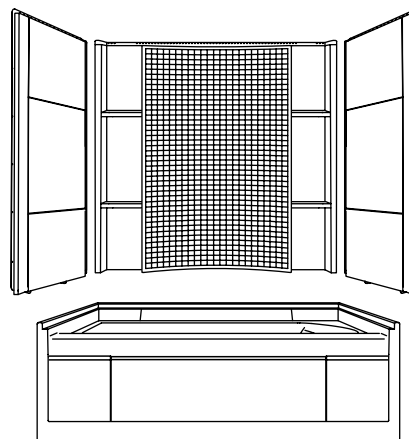
A KOHLER COMPANY

ACCORD®

Features

- Compression molded from our exclusive solid Vikrell® material
- Pivot "snap together" installation
- Modular 4-piece design
- Integral apron with removable access panel
- Durable high-gloss finish
- Pump with air switch
- 10-year consumer/3-year commercial limited warranty
- 1-year limited warranty pump motor assembly
- 8 Jets
- 18" (45.7 cm) whirlpool bath depth (floor to top of threshold)
- 60-1/4" (153 cm) x 33-1/4" (84.5 cm) x 75-1/2" (191.8 cm) complete unit rough-in dimensions include flange
- 60" (152.4 cm) x 32" (81.3 cm) x 74-1/4" (188.6 cm) complete unit finished dimensions

60" (152.4 cm) WHIRLPOOL BATH AND WALL SURROUND 76150110P ALSO 76150120P



Codes/Standards Applicable

Specified model meets or exceeds the following:

- ASME A112.19.7M
- ASTM E162
- ASTM E662
- ANSI Z124.1.2
- UL 1795
- CSA B45

Colors/Finishes

- 0: White
- Other: Refer to Price Book for additional colors/finishes

Specified Model

Model	Complete Unit Description	Colors/Finishes	
76150110P	60" (152.4 cm) whirlpool bath and wall surround with left drain – Canadian Version	<input type="checkbox"/> 0	<input type="checkbox"/> Other _____
76150120P	60" (152.4 cm) whirlpool bath and wall surround with right drain – Canadian Version	<input type="checkbox"/> 0	<input type="checkbox"/> Other _____

Technical Information

Fixture*:	
Bathing well:	
Basin area	21-1/2" (54.6 cm) x 46-1/8" (117.2 cm)
Top area	23" (58.4 cm) x 51" (129.5 cm)
To overflow:	
Water depth	13-1/8" (33.3 cm)
Capacity	56 gal (211.8 L)
* Approximate measurements for comparison only.	

Pump:	V	Hz	A
1-speed	120	60	7.5

Model	Door maximum width	Door maximum height
76150110P 76150120P	56-3/4" (144.1 cm)	55-7/8" (141.9 cm)

Required Electrical Service

Dedicated circuit required, protected with Class A Ground-Fault Circuit-Interrupter (GFCI):	
Pump	120 V, 15 A, 60 Hz

Installation Notes

Install this product according to the installation guide.

Pump is supplied with lead wires routed into an electrical box. Provide electrical service by making connection inside the supplied box.

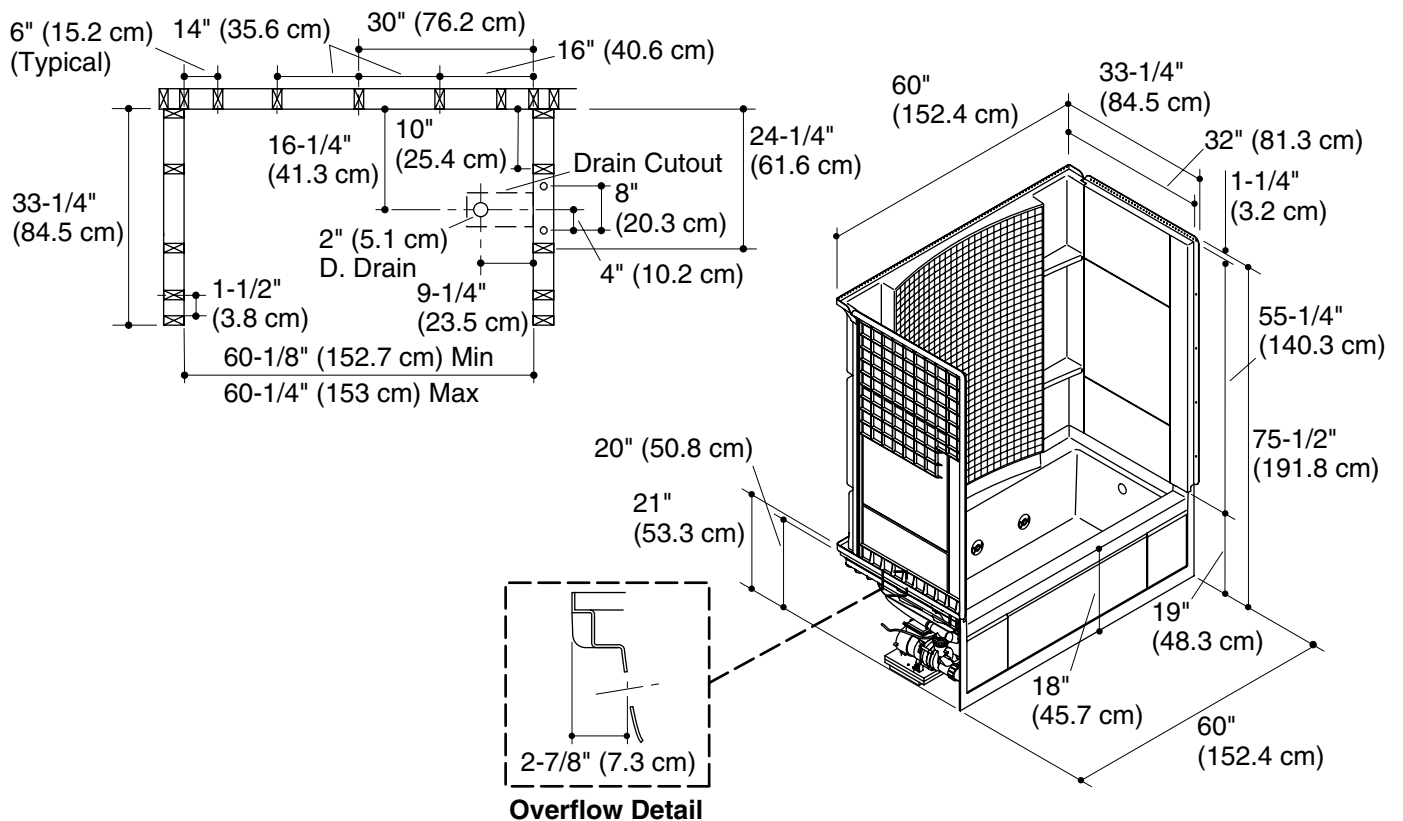
Do not disassemble the pump or piping as this could void the warranty.

Size the drain cutout to fit the drain assembly that will be used.

Stud positioning is critical.

Studs should be positioned roughly as shown for support clip or roofing nail installation.

Bath cannot be installed without the wall surround.



Product Diagram