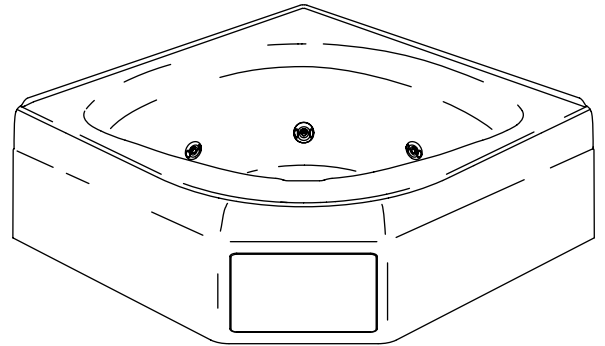


STERLING®

A KOHLER COMPANY

ENSEMBLE™

60" (152.4 cm) WHIRLPOOL BATH 76131100P



Features

- Compression molded from Sterling's exclusive solid Vikrell® material
- Integral apron with removable access panel
- Durable high gloss finish
- Lightly pebbled bottom surface for sure footing
- 10-year consumer/3-year commercial limited warranty
- 1-year limited warranty for pump motor assembly
- For corner installation
- Pump with air switch
- 7 jets
- 60" (152.4 cm) x 60" (152.4 cm) x 20-1/2" (52.1 cm) complete unit rough-in dimensions include flange
- 60" (152.4 cm) x 60" (152.4 cm) x 20" (50.8 cm) complete unit finished dimensions

Codes/Standards Applicable

Specified model meets or exceeds the following:

- ASME A112.19.7M
- ASME A112.19.8M
- ASTM E162
- ASTM E662
- ANSI Z124.1.2
- UL 1795
- CSA B45.0
- CSA B45.1
- CSA B45.5

Colors/Finishes

- 0: White
- Other: Refer to Price Book for additional colors/finishes

Specified Model

Model	Description	Colors/Finishes	
76131100P	60" (152.4 cm) whirlpool bath, center drain	<input type="checkbox"/> 0	<input type="checkbox"/> Other _____

ENSEMBLE™

Technical Information

Fixture*:	
Bathing well	
Basin area, bottom	49" (124.5 cm) x 42" (106.7 cm)
Basin area, top	50" (127 cm) x 60" (152.4 cm)
To overflow	
Water depth	15-1/4" (38.7 cm)
Capacity	108 gal (408.8 L)
* Approximate measurements for comparison only.	

Pump:	V	Hz	A
1-speed	120	60	7

Required Electrical Service

Dedicated circuit required, protected with Class A Ground-Fault Circuit-Interrupter (GFCI) or Residual Current Device (RCD):

Pump	120 V, 15 A, 60 Hz
------	--------------------

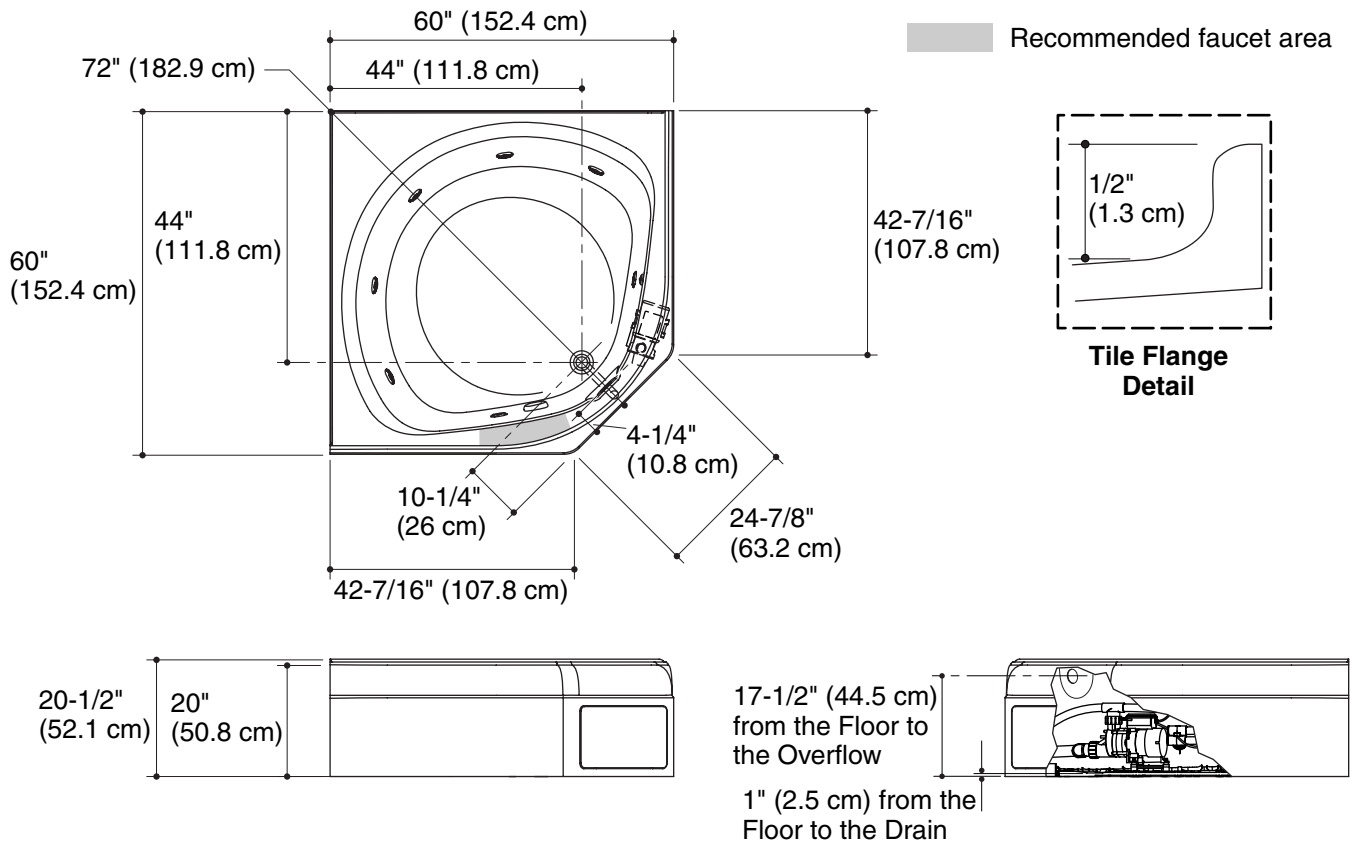
Installation Notes

Install this product according to the installation guide.

Pump is supplied with lead wires routed into an electrical box. Provide electrical service by making connections in the supplied box.

Do not disassemble the pump or piping as this could void the warranty.

Size the drain cutout to fit the drain assembly that will be used.



Product Diagram

ENSEMBLE™ 60" (152.4 cm) WHIRLPOOL BATH

Page 2 of 2
1101305-4-A

STERLING
A KOHLER COMPANY