

STERLING®

A KOHLER COMPANY

ENSEMBLE™

32" (81.3 cm) WHIRLPOOL BATH

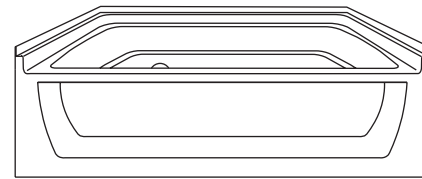
76121110P

ALSO 76121120P



Features

- Compression molded from Sterling's exclusive solid Vikrell® material
- Durable high gloss finish
- 8 Jets
- Integral apron with removable access panel
- Lightly pebbled bottom surface for sure footing
- 10-year consumer/3-year commercial limited warranty
- 1-year limited warranty for pump motor assembly
- Pump with air switch
- 60" (152.4 cm) x 33-1/4" (84.5 cm) x 75-1/4" (191.1 cm) complete unit rough-in dimensions to include flange
- 60" (152.4 cm) x 32" (81.3 cm) x 74" (188 cm) complete unit finished dimensions



Codes/Standards Applicable

Specified model meets or exceeds the following:

- ASME A112.19.7M
- ASTM E162
- ASTM E662
- ANSI Z124.1.2
- ASTM F462 Slip Resistance
- UL 1795
- CSA B45.0
- CSA B45.1
- CSA B45.5

Colors/Finishes

- 0: White
- Other: Refer to Price Book for additional colors/finishes

Specified Model

Model	Description	Colors/Finishes	
76121110P	32" (81.3 cm) whirlpool bath, left drain	<input type="checkbox"/> 0	<input type="checkbox"/> Other_____
76121120P	32" (81.3 cm) whirlpool bath, right drain	<input type="checkbox"/> 0	<input type="checkbox"/> Other_____

ENSEMBLE™

Technical Information

Fixture*:	
Bathing well	
Basin area, bottom	42" (106.7 cm) x 20" (50.8 cm)
Basin area, top	54" (137.2 cm) x 26" (66 cm)
To overflow	
Water depth	13-3/4" (34.9 cm)
Capacity	55 gal (208.2 L)
* Approximate measurements for comparison only.	

Pump:	V	Hz	A
1-speed	120	60	7

Model	Door maximum width	Door maximum height
76121110P	57-11/16" (146.5 cm)*	NA*
76121120P	(146.5 cm)*	
* Varies with alternative walls.		

Required Electrical Service

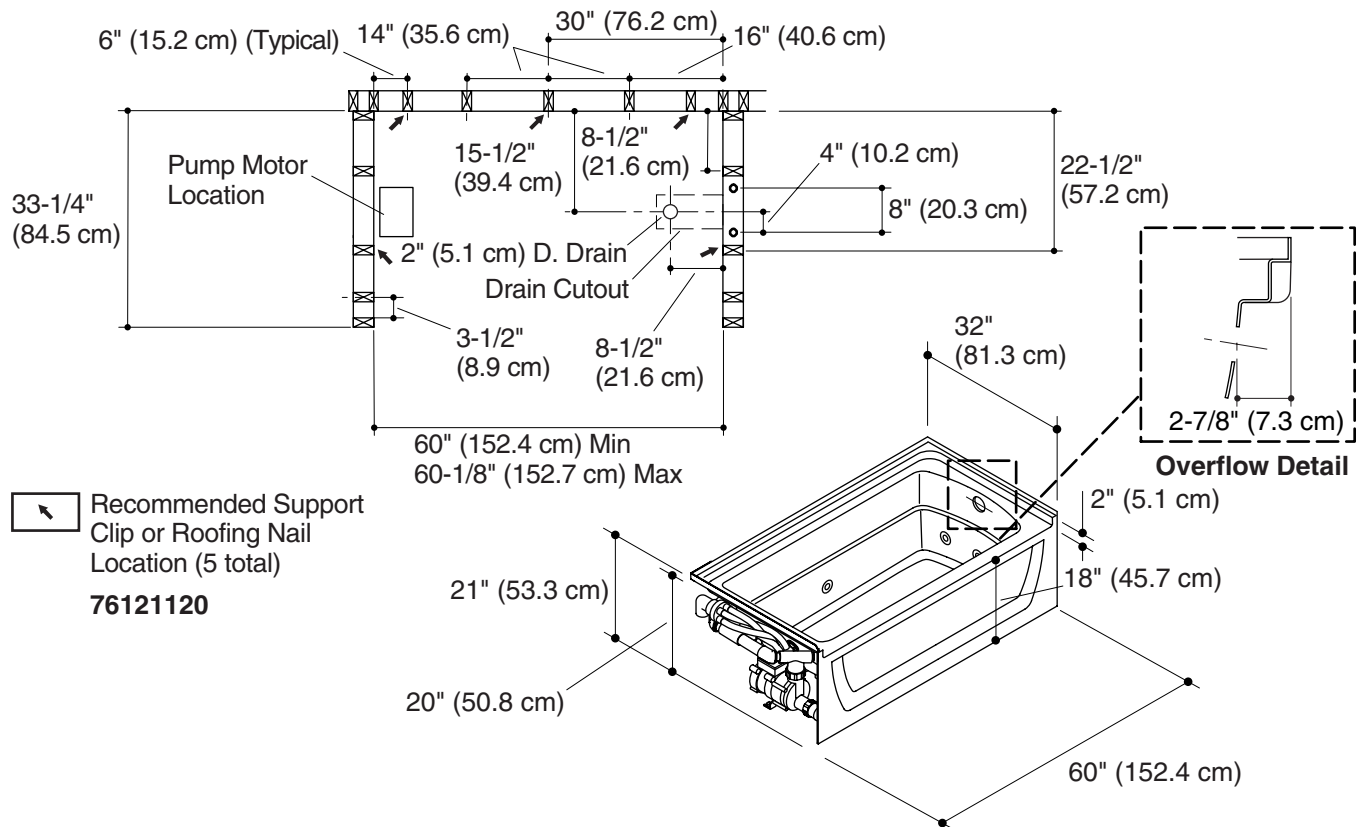
Dedicated circuit required, protected with Class A Ground-Fault Circuit-Interrupter (GFCI) or Residual Current Device (RCD):

Pump/Control	120 V, 15 A, 60 Hz
--------------	--------------------

Installation Notes

Install this product according to the installation guide.

Pump is supplied with lead wires routed into an electrical box. Provide electrical service by making connections in the supplied box.



Product Diagram