

STERLING®

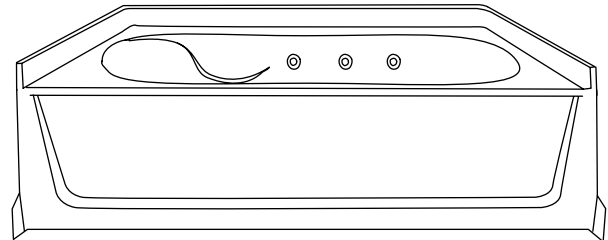
A KOHLER COMPANY

ENSEMBLE™

Features

- Compression molded from Sterling's exclusive solid Vikrell® material
- Integral apron with removable access panel
- Durable high gloss finish
- Lightly pebbled bottom surface for sure footing
- 6 Jets
- 10-year consumer/3-year commercial limited warranty
- 1-year limited warranty for pump motor assembly
- Pump with air switch
- 60" (152.4 cm) x 37-1/4" (94.6 cm) x 20" (50.8 cm) unit rough-in dimensions include flanges
- 60" (152.4 cm) x 36" (91.4 cm) x 19" (48.3 cm) complete unit finished dimensions include wainscot

36" (91.4 cm) WHIRLPOOL BATH
76101110P
 ALSO 76101120P



Codes/Standards Applicable

Specified model meets or exceeds the following:

- ASME A112.19.7M
- ASTM E162
- ASTM E662
- ANSI Z124.1.2
- UL 1795
- CSA B45.0
- CSA B45.1
- CSA B45.5

Colors/Finishes

- 0: White
- Other: Refer to Price Book for additional colors/finishes

Specified Model

Model	Description	Colors/Finishes	
76101110P	36" (91.4 cm) whirlpool bath, left drain	<input type="checkbox"/> 0	<input type="checkbox"/> Other_____
76101120P	36" (91.4 cm) whirlpool bath, right drain	<input type="checkbox"/> 0	<input type="checkbox"/> Other_____

ENSEMBLE™

Technical Information

Fixture*:	
Bathing well	
Basin area, bottom	40" (101.6 cm) x 21" (53.3 cm)
Basin area, top	52" (132.1 cm) x 29" (73.7 cm)
To overflow	
Water depth	11" (27.9 cm)
Capacity	40 gal (151.4 L)
* Approximate measurements for comparison only.	

Pump:	V	Hz	A
1-speed	120	60	7

Required Electrical Service

Dedicated circuit required, protected with Class A Ground-Fault Circuit-Interrupter (GFCI) or Residual Current Device (RCD):	
Pump	120 V, 15 A, 60 Hz

Installation Notes

Install this product according to the installation guide.

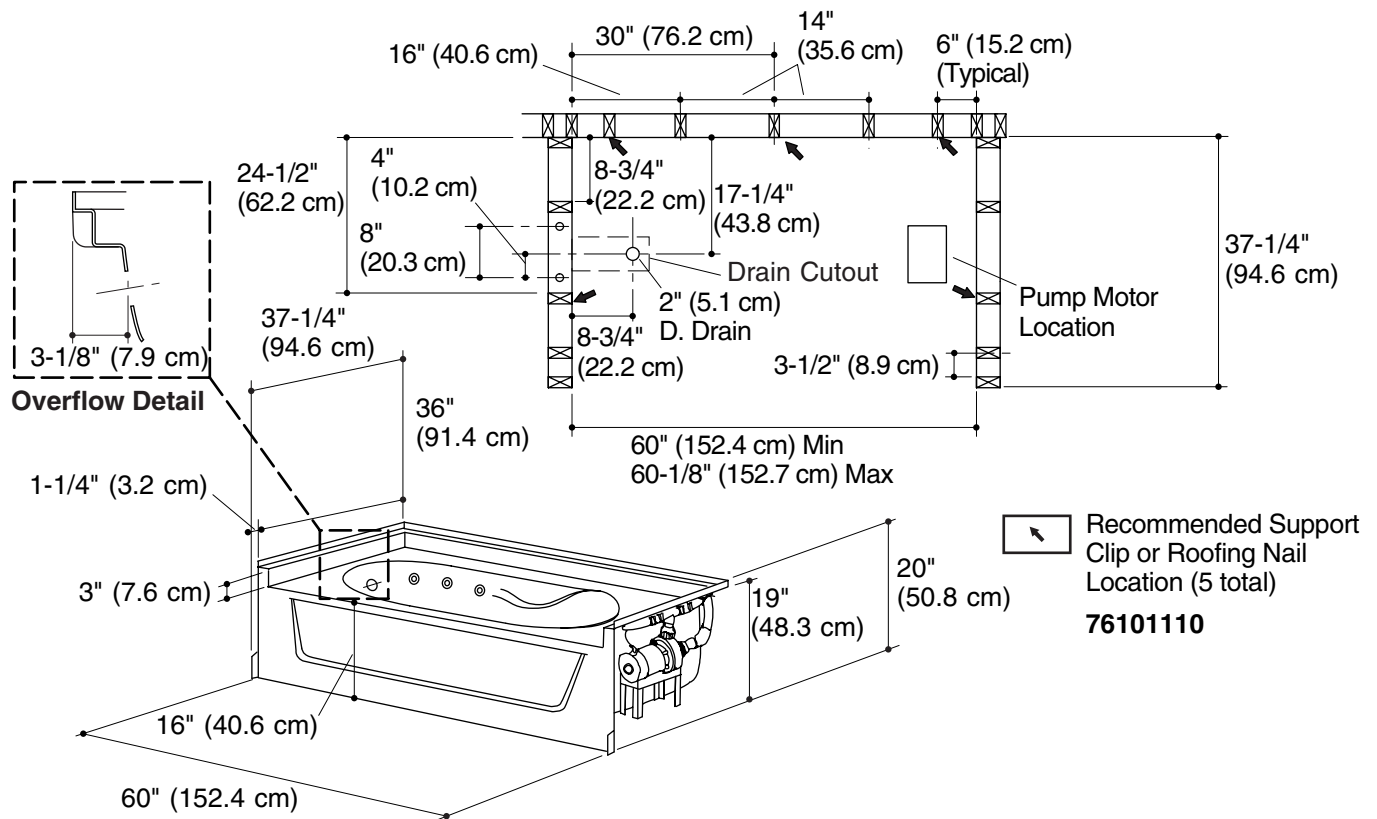
Pump is supplied with lead wires routed into an electrical box. Provide electrical service by making connections in the supplied box.

Do not disassemble the pump or piping as this could void the warranty.

Size the drain cutout to fit the drain assembly that will be used.

Stud positioning is critical.

Studs should be positioned roughly as shown for support clip or roofing nail installation.



Product Diagram