

# STERLING®

A KOHLER COMPANY

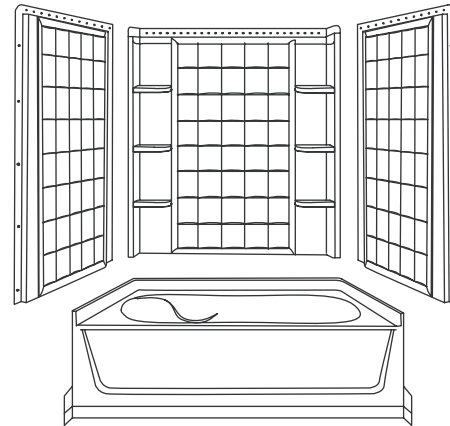
ENSEMBLE™

## Features

- Compression molded from our exclusive solid Vikrell® material
- Gentle sloping back, neck, and armrest in bath design
- Above-floor-drain (AFD) rough-in
- Factory installed injection molded apron extension and undersupport structure
- Modular 4-piece design
- Tongue-and-groove 4-piece modular design allows for easy "snap together" installation
- Durable high-gloss finish
- Integral apron with removable access panel
- 18-1/4" (46.4 cm) bath depth (floor to top of dam)
- 60" (152.4 cm) x 43-1/2" (110.5 cm) x 75-1/2" (191.8 cm) complete unit rough-in dimensions include flanges
- 60" (152.4 cm) x 42" (106.7 cm) x 74-1/4" (188.6 cm) complete unit finished dimensions

## 42" (106.7 cm) AFD BATH/SHOWER WITH ACCESS PANEL SYSTEM

**71110119**  
ALSO 71110129



## Codes/Standards Applicable

Specified model meets or exceeds the following:

- ANSI Z124.1.2
- ASTM E162
- ASTM E662
- CSA B45

## Colors/Finishes

- 0: White
- Other: Refer to Price Book for additional colors/finishes

## Specified Model

Model	Complete Unit Description	Colors/Finishes	
71110119	42" (106.7 cm) AFD bath/shower with access panel system, left drain	<input type="checkbox"/> 0	<input type="checkbox"/> Other _____
71110129	42" (106.7 cm) AFD bath/shower with access panel system, right drain (shown)	<input type="checkbox"/> 0	<input type="checkbox"/> Other _____

Model	Wall Component Description	Colors/Finishes	
71112100	Back wall	<input type="checkbox"/> 0	<input type="checkbox"/> Other _____
71113110	Left end wall	<input type="checkbox"/> 0	<input type="checkbox"/> Other _____
71113120	Right end wall	<input type="checkbox"/> 0	<input type="checkbox"/> Other _____
71114100	Complete wall set	<input type="checkbox"/> 0	<input type="checkbox"/> Other _____
71115100	End wall set	<input type="checkbox"/> 0	<input type="checkbox"/> Other _____

# ENSEMBLE™

## Technical Information

Fixture*:	
Bathing well	40" (101.6 cm) x 27" (68.6 cm)
Top area	52" (132.1 cm) x 35" (88.9 cm)
To overflow:	
Water depth	11" (27.9 cm)
Capacity	55 gal (208.2 L)
* Approximate measurements for comparison only.	

Model	door maximum width	door maximum height
71110119	58-1/2" (148.6 cm)	56" (142.2 cm)
71110129		

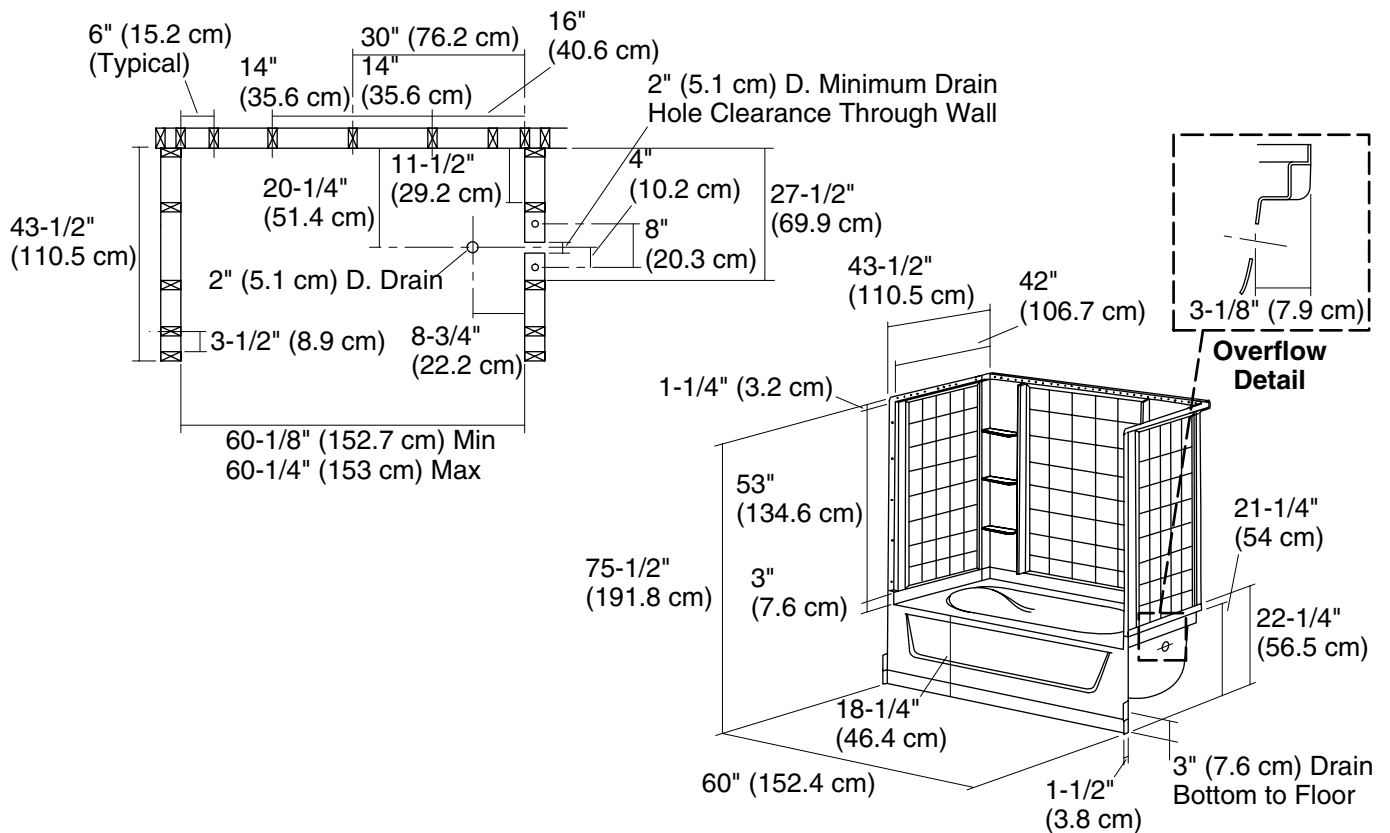
## Installation Notes

Install this product according to the installation guide.

Size the drain hole clearance to fit the drain assembly that will be used.

Stud positioning is critical.

Studs should be positioned roughly as shown for support clip or roofing nail installation.



## Product Diagram