

STERLING®

A KOHLER COMPANY

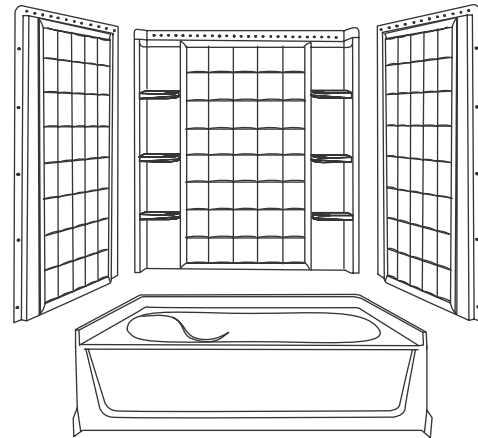
ENSEMBLE™

Features

- Compression molded from Sterling's exclusive solid Vikrell® material
- Gentle sloping back, neck, and armrest in bath design
- Lightly pebbled bottom surface for sure footing
- Tongue-and-groove "snap together" design
- Durable high gloss finish
- 10-year consumer/3-year commercial limited warranty
- Integral apron with removable access panel
- 16" (40.6 cm) bath depth (floor to top of dam)
- 3" (7.6 cm) wainscot/tile ledge
- 60" (152.4 cm) x 43-1/2" (110.5 cm) x 73-1/4" (186.1 cm) complete unit rough-in dimensions include flanges
- 60" (152.4 cm) x 42" (106.7 cm) x 72" (182.9 cm) complete unit finished dimensions

42" (106.7 cm) OVAL BATH/SHOWER WITH ACCESS PANEL SYSTEM

71110117
ALSO 71110127



Codes/Standards Applicable

Specified model meets or exceeds the following:

- ASTM E162
- ASTM E662
- ANSI Z124.1.2
- IAPMO/UPC
- HUD, UM Bulletin 73A
- NAHB Research Foundation, Inc.

Colors/Finishes

- 0: White
- Other: Refer to Price Book for additional colors/finishes

Specified Model

Model	Complete Unit Description	Colors/Finishes	
71110117	42" (106.7 cm) oval bath/shower with access panel system, left drain	<input type="checkbox"/> 0	<input type="checkbox"/> Other _____
71110127	42" (106.7 cm) oval bath/shower with access panel system, right drain (shown)	<input type="checkbox"/> 0	<input type="checkbox"/> Other _____

Model	Wall Component Description	Colors/Finishes	
71112100	Back wall	<input type="checkbox"/> 0	<input type="checkbox"/> Other _____
71113110	Left end wall	<input type="checkbox"/> 0	<input type="checkbox"/> Other _____
71113120	Right end wall	<input type="checkbox"/> 0	<input type="checkbox"/> Other _____
71114100	Complete wall set	<input type="checkbox"/> 0	<input type="checkbox"/> Other _____
71115100	End wall set	<input type="checkbox"/> 0	<input type="checkbox"/> Other _____

ENSEMBLE™

Technical Information

Fixture*:	
Bathing well	40" (101.6 cm) x 27" (68.6 cm)
Top area	52" (132.1 cm) x 35" (88.9 cm)
To overflow:	
Water depth	11" (27.9 cm)
Capacity	55 gal (208.2 L)
* Approximate measurements for comparison only.	

Model	door maximum width	door maximum height
71110117	58-1/2" (148.6 cm)	56" (142.2 cm)
71110127		

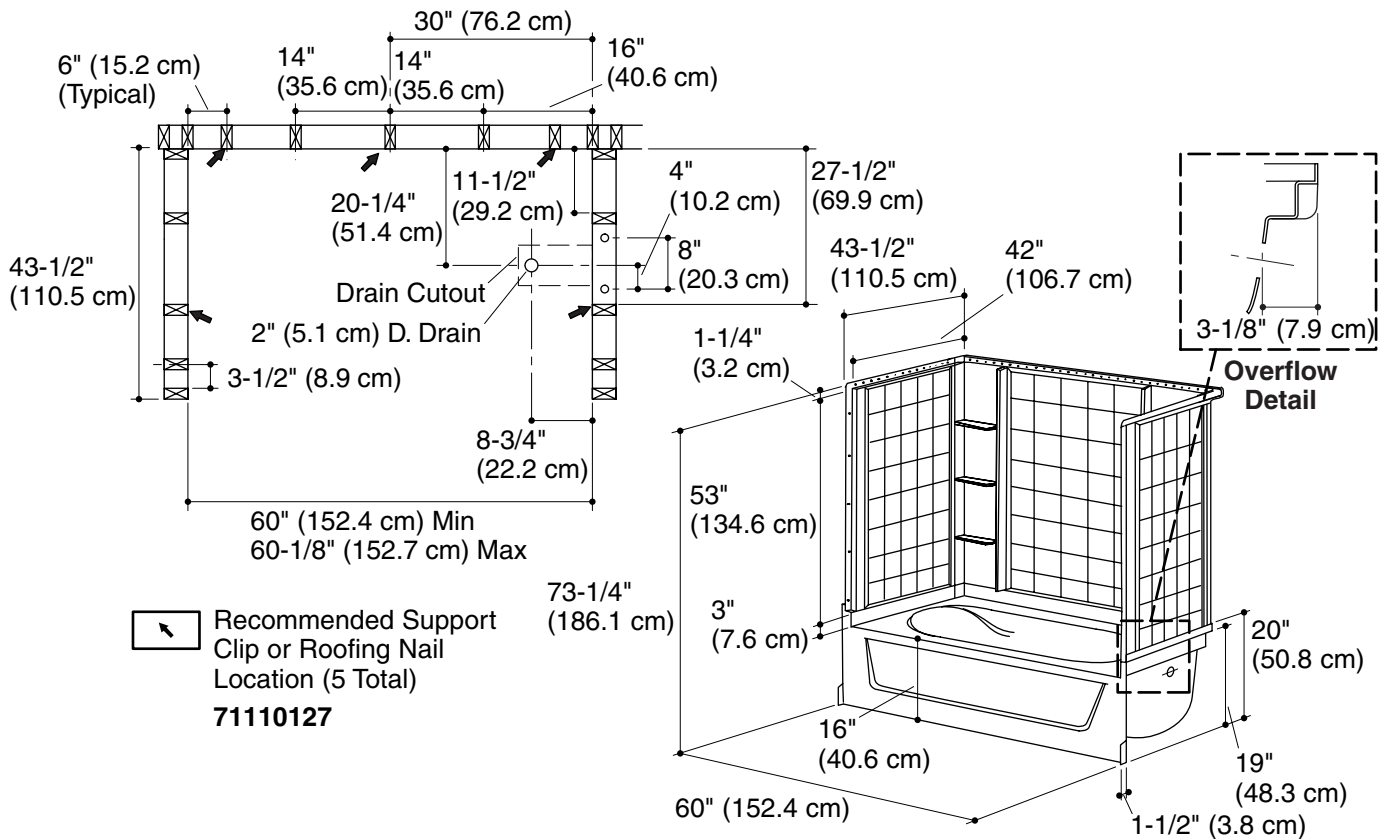
Installation Notes

Install this product according to the installation guide.

Size the drain cutout to fit the drain assembly that will be used.

Stud positioning is critical.

Studs should be positioned roughly as shown for support clip or roofing nail installation.



Product Diagram

ENSEMBLE™ 42" (106.7 cm) OVAL BATH/SHOWER WITH ACCESS PANEL SYSTEM