



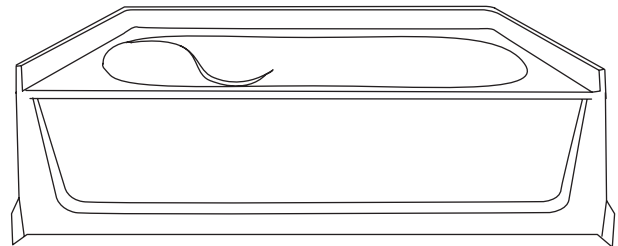
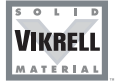
A KOHLER COMPANY

ENSEMBLE™

### Features

- Compression molded from Sterling's exclusive solid Vikrell® material
- Gentle sloping back, neck, and armrest in bath design
- Lightly pebbled bottom surface for sure footing
- Durable high gloss finish
- 10 year consumer/3 year commercial limited warranty
- Integral apron with removable access panel
- 16" (40.6 cm) bath depth (floor to top of dam)
- 3" (7.6 cm) wainscot/tile ledge
- 60" (152.4 cm) x 43-1/2" (110.5 cm) x 20" (50.8 cm) rough-in dimensions include flanges
- 60" (152.4 cm) x 42" (106.7 cm) x 19" (48.3 cm) finished dimensions

**42" (106.7 cm) OVAL BATH WITH ACCESS PANEL**  
**71111117**  
**ALSO 7111127**



### Codes/Standards Applicable

Specified model meets or exceeds the following:

- ASTM E162
- ASTM E662
- ANSI Z124.1.2
- IAPMO/UPC

### Colors/Finishes

- 0: White
- Other: Refer to Price Book for additional colors/finishes

### Specified Model

Model	Complete Unit Description	Colors/Finishes	
71111117	42" (106.7 cm) oval bath with access panel, left drain (shown)	<input type="checkbox"/> 0	<input type="checkbox"/> Other _____
71111127	42" (106.7 cm) oval bath with access panel, right drain	<input type="checkbox"/> 0	<input type="checkbox"/> Other _____

### SterlingPlumbing.com

Visit us online for fixture color choices, detailed product information, color photos, installation instructions, care guides, and warranties. Sterling offers additional lines of plumbing products to complement the Sterling product you've chosen. Sign up for the Sterling e-newsletter to learn more about our latest product innovations. You may also reach us by calling the Sterling Answer Center from within the USA at 1-888-STERLING in addition to consulting with your local dealer.

# ENSEMBLE™

## Technical Information

Fixture*:	
Bathing well	40" (101.6 cm) x 27" (68.6 cm)
Top area	52" (132.1 cm) x 35" (88.9 cm)
To overflow:	
Water depth	11" (27.9 cm)
Capacity	55 gal (208.2 L)
* Approximate measurements for comparison only.	

Model	door maximum width	door maximum height
71111117	58-1/2" (148.6 cm)	NA*
71111127		
* Varies with alternative walls.		

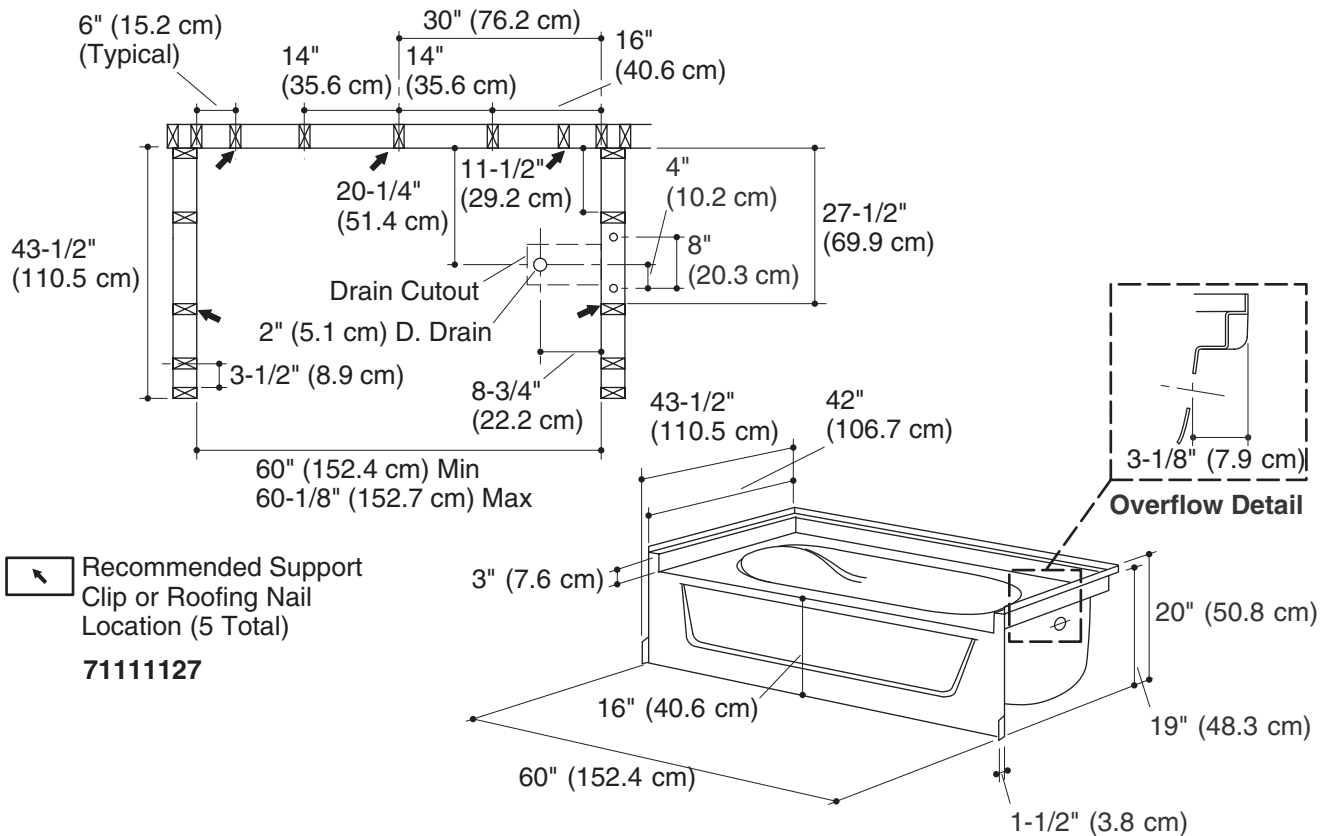
## Installation Notes

Install this product according to the installation guide.

Size the drain cutout to fit the drain assembly that will be used.

Stud positioning is critical.

Studs should be positioned roughly as shown for support clip or roofing nail installation.



## Product Diagram

ENSEMBLE™ 42" (106.7 cm) OVAL BATH WITH ACCESS PANEL