

STERLING®

A KOHLER COMPANY

MIDDLETON®

SELF-RIMMING KITCHEN SINK 14631

ADA

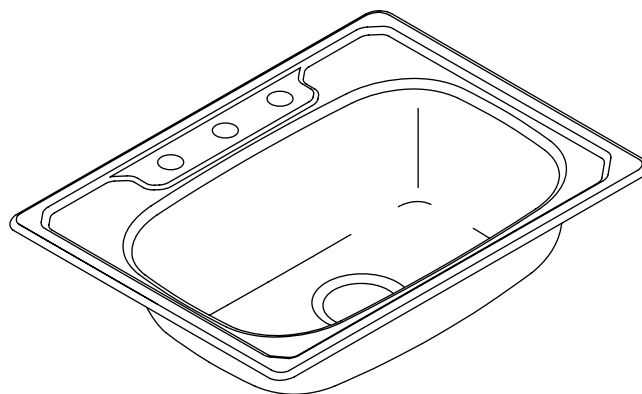
Features

- Includes SilentShield® sound-absorption technology
- 23-gauge stainless steel
- Self-rimming, rolled rim
- Single basin, ledge back sink
- Satin deck finish
- Luster basin finish
- 25" (63.5 cm) x 22" (55.9 cm) x 6" (15.2 cm)

Codes/Standards Applicable

Specified model meets or exceeds the following:

- ADA
- ASME A112.19.3/CSA B45.4
- ICC/ANSI A117.1



Colors/Finishes

- NA: None applicable

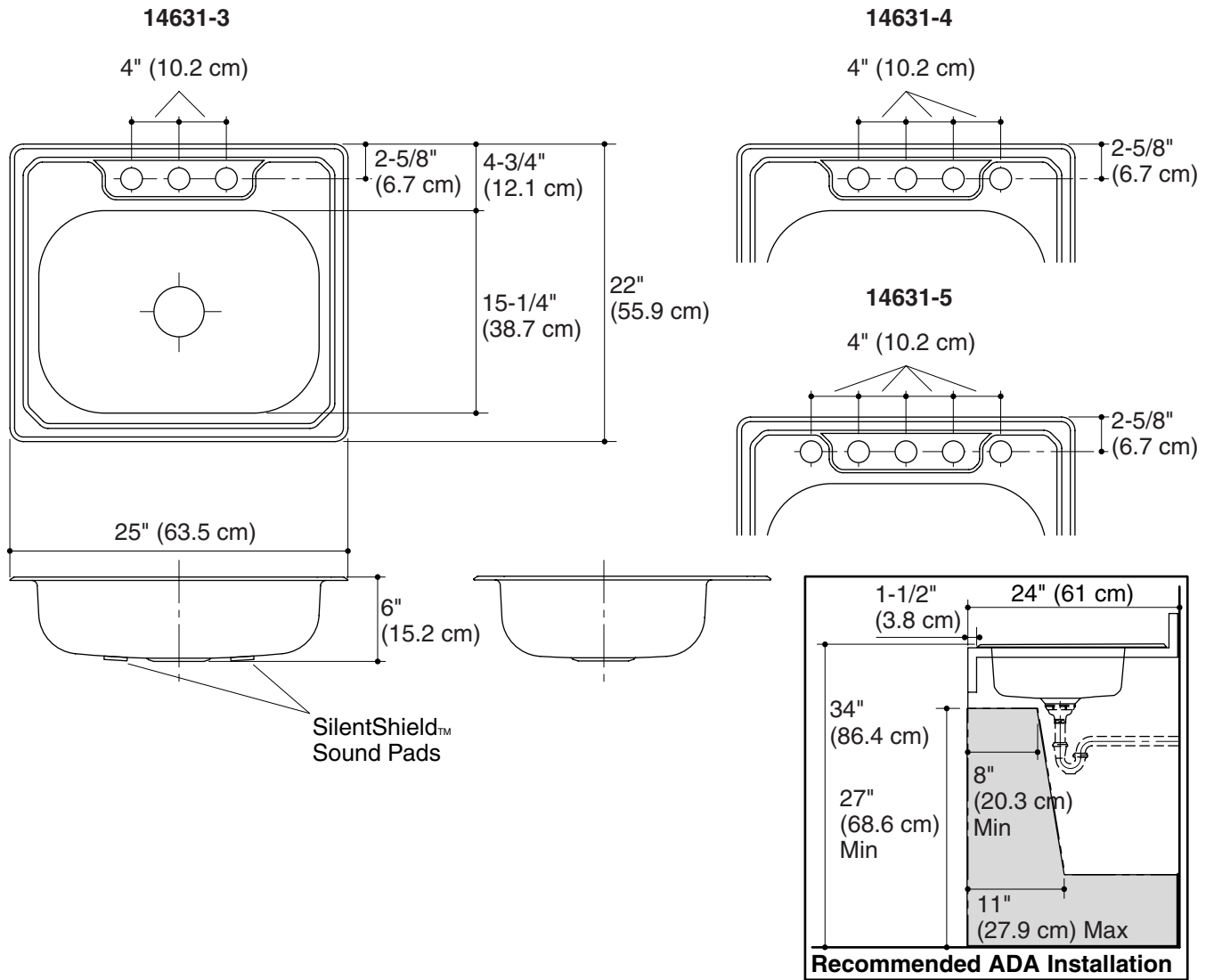
Specified Model

Model	Description	Faucet Holes	Quantity	Basin Depth	Colors/ Finishes
14631-3	Stainless steel single basin sink, single pack (shown)	3	1	6" (15.2 cm)	<input type="checkbox"/> NA
14631-3F	Stainless steel single basin sink, bulk pack	3	40	6" (15.2 cm)	<input type="checkbox"/> NA
14631-4	Stainless steel single basin sink, single pack	4	1	6" (15.2 cm)	<input type="checkbox"/> NA
14631-4F	Stainless steel single basin sink, bulk pack	4	40	6" (15.2 cm)	<input type="checkbox"/> NA
14631-5	Stainless steel single basin sink, single pack	5	1	6" (15.2 cm)	<input type="checkbox"/> NA
14631-5F	Stainless steel single basin sink, bulk pack	5	40	6" (15.2 cm)	<input type="checkbox"/> NA

MIDDLETON®

Technical Information

Fixture*:	
Sink	
Cutout size	24-1/2" (62.2 cm) x 21-1/2" (54.6 cm)
Drain holes	3-5/8" (9.2 cm) D.
Faucet holes	1-7/16" (3.7 cm) D.
* Approximate measurements for comparison only.	



Product Diagram