

STERLING®

A KOHLER COMPANY

ENSEMBLE™

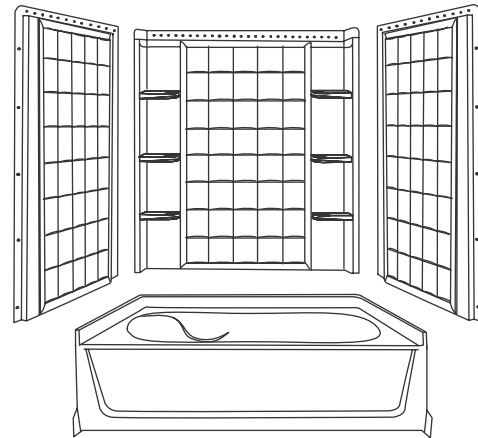
Features

- Compression molded from our exclusive solid Vikrell® material
- Gentle sloping back, neck, and armrest in bath design
- Bath and integral apron eliminates installation step
- Lightly pebbled bottom surface for sure footing
- Durable high-gloss finish
- 10-year consumer/3-year commercial limited warranty
- Available with above-the-floor drain
- Wall surround allows for attachment of grab bars
- 60-1/4" (153 cm) x 43-1/2" (110.5 cm) x 73-1/4" (186.1 cm) complete unit rough-in dimensions include flange
- 60" (152.4 cm) x 42" (106.7 cm) x 72" (182.9 cm) complete unit finished dimensions

42" (106.7 cm) OVAL BATH/SHOWER SYSTEM WITH BACKER BOARDS

71110116

ALSO 71110118, 71110126, 71110128



Codes/Standards Applicable

Specified model meets or exceeds the following:

- ANSI Z124.1.2
- ASTM E162
- ASTM E662
- CSA B45

Colors/Finishes

- 0: White
- Other: Refer to Price Book for additional colors/finishes

Specified Model

Model	Complete Unit Description	Colors/Finishes	
71110116	42" (106.7 cm) oval bath and wall surround with backer boards, left drain	<input type="checkbox"/> 0	<input type="checkbox"/> Other _____
71110118	42" (106.7 cm) oval bath and wall surround with backer boards, above-the-floor left drain	<input type="checkbox"/> 0	<input type="checkbox"/> Other _____
71110126	42" (106.7 cm) oval bath and wall surround with backer boards, right drain	<input type="checkbox"/> 0	<input type="checkbox"/> Other _____
71110128	42" (106.7 cm) oval bath and wall surround with backer boards, above-the-floor right drain	<input type="checkbox"/> 0	<input type="checkbox"/> Other _____
Model	Component Description	Colors/Finishes	
71114106	Complete wall set with backer boards	<input type="checkbox"/> 0	<input type="checkbox"/> Other _____

ENSEMBLE™

Technical Information

Fixture*:	
Basin area:	
Bathing well, bottom	40" (101.6 cm) x 27" (68.6 cm)
Bathing well, top	52" (132.1 cm) x 35" (88.9 cm)
To overflow:	
Water depth	11" (27.9 cm)
Capacity	45 gal (170.3 L)
* Approximate measurements for comparison only.	

Model	Door maximum width	Door maximum height
71110116	58" (147.3 cm)	55-1/2" (141 cm)
71110118		
71110126		
71110128		

Installation Notes

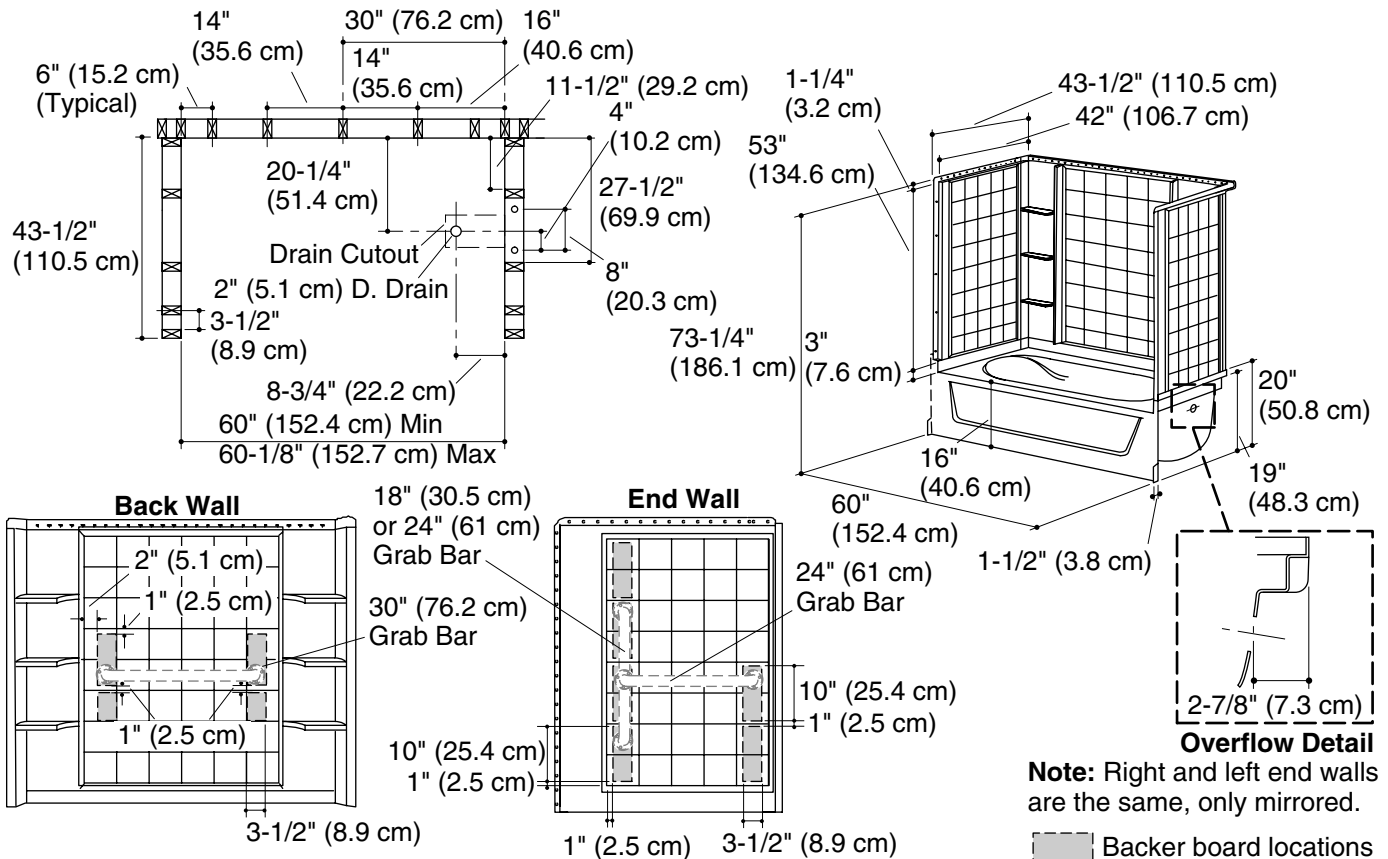
Install this product according to the installation guide.

Size the drain cutout to fit the drain assembly that will be used.

Double studding is recommended for pivot shower door installations.

Studs should be positioned roughly as shown.

Attach grab bars at the specified backer board locations only.



Product Diagram

ENSEMBLE™ 42" (106.7 cm) OVAL BATH/SHOWER SYSTEM WITH BACKER BOARDS