

STERLING®

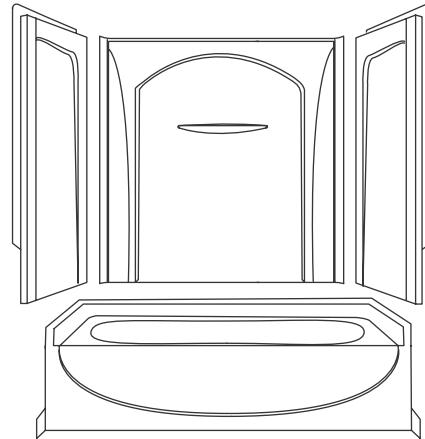
A KOHLER COMPANY

ACCLAIM™

Features

- Compression molded from our exclusive solid Vikrell® material
- Innovative four-piece modular design for seamless appearance
- Factory installed injection molded apron extension and undersupport structure
- Tongue-and-groove 4-piece modular design allows for easy "snap together" installation
- Durable high-gloss finish
- 10-year consumer/3-year commercial limited warranty
- Left or right drain
- Available with or without above-the-floor drain
- Wall surround allows for attachment of grab bars
- 60" (152.4 cm) x 31-1/2" (80 cm) x 75-3/4" (192.4 cm) complete unit rough-in dimensions include flange
- 60" (152.4 cm) x 30" (76.2 cm) x 74-1/4" (188.6 cm) complete unit finished dimensions

60" (152.4 cm) BATH/SHOWER SYSTEM WITH BACKER BOARDS 71090116



Codes/Standards Applicable

Specified model meets or exceeds the following:

- ANSI Z124.1.2
- ASTM E162
- ASTM E662
- CSA B45.0
- CSA B45.5

Colors/Finishes

- 0: White
- Other: Refer to Price Book for additional colors/finishes

Specified Model

Model	Complete Unit Description	Colors/Finishes	
71090116	60" (152.4 cm) bath and wall surround with backer boards, left drain	<input type="checkbox"/> 0	<input type="checkbox"/> Other_____
71090118	60" (152.4 cm) bath and wall surround with backer boards, above-the-floor left drain	<input type="checkbox"/> 0	<input type="checkbox"/> Other_____
71090126	60" (152.4 cm) bath and wall surround with backer boards, right drain	<input type="checkbox"/> 0	<input type="checkbox"/> Other_____
71090128	60" (152.4 cm) bath and wall surround with backer boards, above-the-floor right drain	<input type="checkbox"/> 0	<input type="checkbox"/> Other_____

Model	Wall Component Description	Colors/Finishes	
71094106	Complete wall set with backer board locations	<input type="checkbox"/> 0	<input type="checkbox"/> Other_____

Technical Information

Fixture:*	basin area	top area
Bathing well	42" (106.7 cm) x 16-1/4" (41.3 cm)	56" (142.2 cm) x 23-3/4" (60.3 cm)
To overflow	water depth	capacity
	12" (33 cm)	34 gal (128.7 L)
* Approximate measurements for comparison only.		

Model	Door maximum width	Door maximum height
71090116	58-1/2" (148.4 cm)	56-1/2" (143.5 cm)
71090118		
71090126		
71090128		
71090416		
71090426		

Installation Notes

Install this product according to the installation guide.

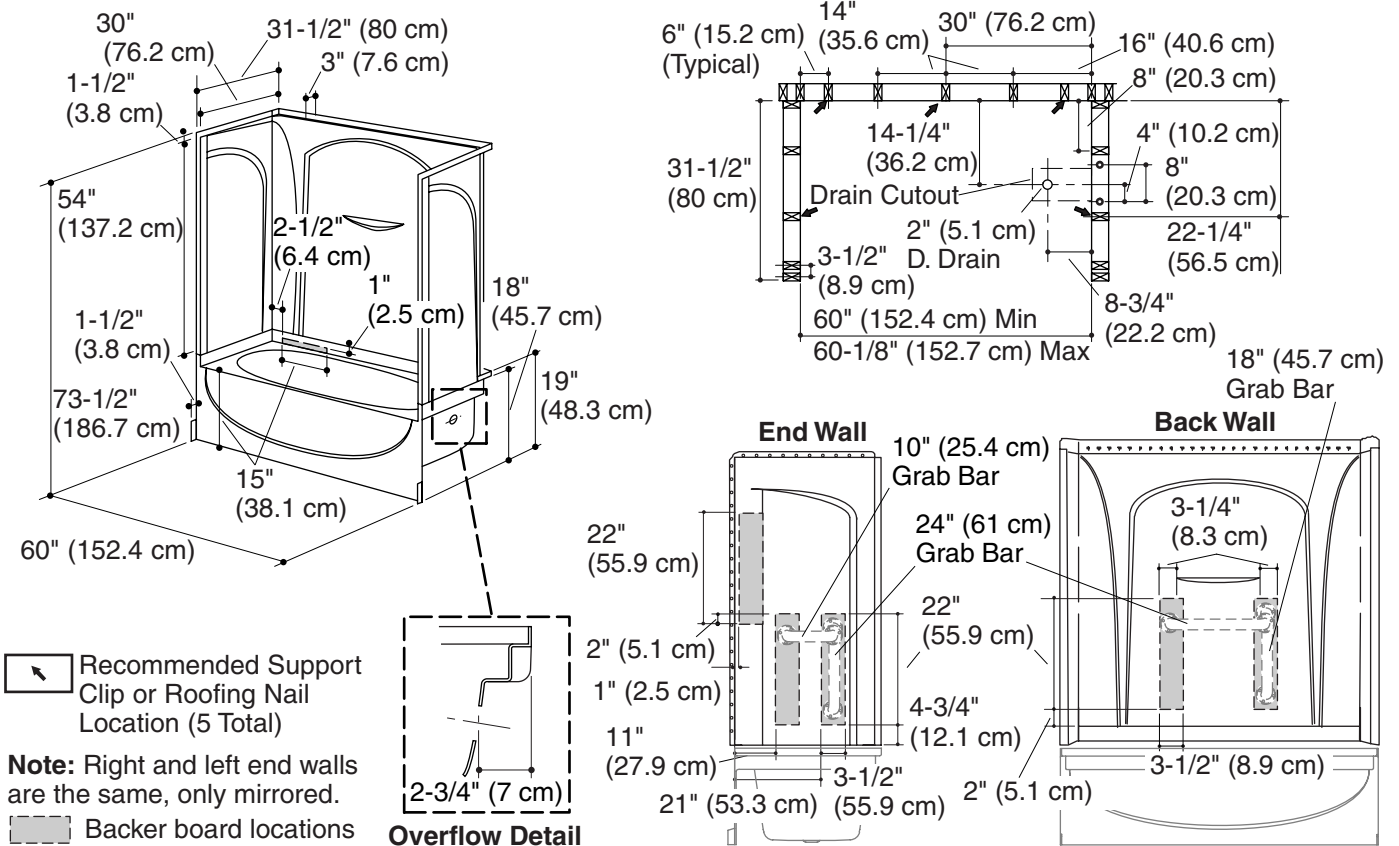
Size the drain cutout to fit the drain assembly that will be used.

End stud positioning is critical if nailing-in flanges are to be used.

Double studding is recommended for pivot shower door installations.

Studs should be positioned roughly as shown for support clip or roofing nail installation.

Attach grab bars at the specified backer board locations only.



Product Diagram