

STERLING®

A KOHLER COMPANY

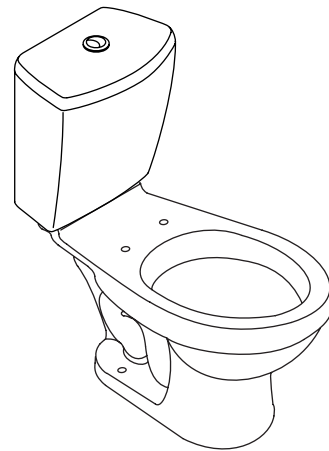
KARSTEN®

DUAL FORCE® LOW CONSUMPTION TOILET 402025



Features

- 12" (30.5 cm) rough-in
- Modern styling made of Grade A vitreous china
- One flush performance
- Seat post holes with 5-1/2" (14 cm) centers
- 5-year limited warranty
- Two-bolt installation system
- Round bowl
- Standard round seat - not supplied
- 1.6 gallons (6 L) of water per flush for solid waste and .8 gallons (3 L) of water per flush for liquid waste
- Dual Force® flushing system
- 2-1/2" (6.4 cm) glazed trapway
- 29-3/4" (75.6 cm) x 14-1/4" (36.2 cm) x 29-1/4" (74.3 cm)



Codes/Standards Applicable

Specified model meets or exceeds the following:

- ASME A112.19.2/CSA B45.1
- ASME A112.19.14
- EPA WaterSense®

Colors/Finishes

- 0: White
- Other: Refer to Price Book for additional colors/finishes

Accessories

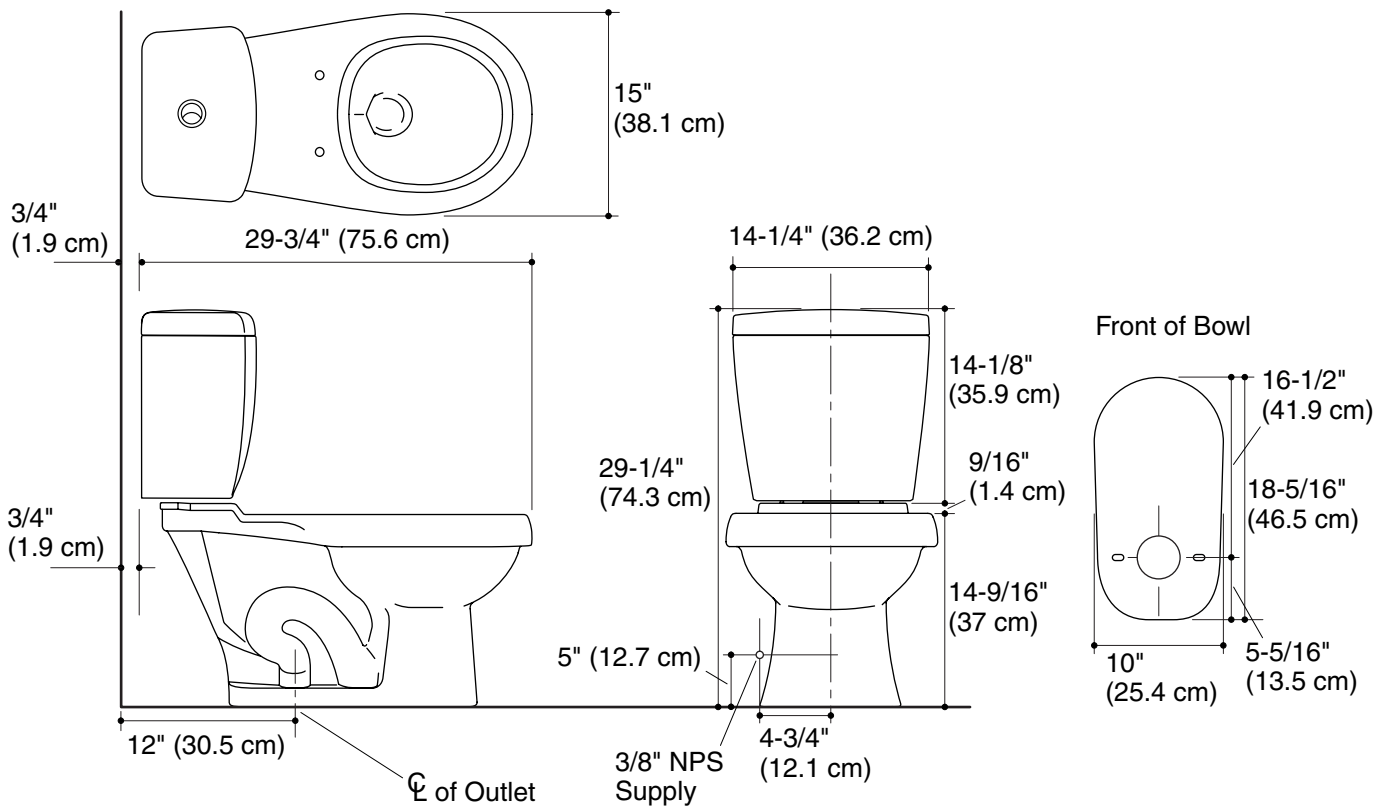
- NA: None applicable

Specified Model

| Model | Description | Included EB bowl | Included tank | Included bowl | Colors/Finishes | |
|--------|--|------------------|---------------|---------------|----------------------------|-------------------------------------|
| 402025 | Regular front toilet, 12" (30.5 cm) rough-in | 402028 | 402023 | 402021 | <input type="checkbox"/> 0 | <input type="checkbox"/> Other_____ |

Technical Information

| | |
|------------------------|--|
| Fixture: | |
| Configuration | 2-piece |
| Water per full flush | 1.6 gallons (6 L) |
| Water per half flush | .8 gallons (3 L) |
| Passageway | 2" (5.1 cm) |
| Water area | 4-1/2" (11.4 cm) x 5-3/4" (14.6 cm) |
| Seat post hole centers | 5-1/2" (14 cm) |
| Included Components: | |
| Tank accessory pack | 1035430 |
| Tank lid | 1040340 |



Product Diagram