

# STERLING®

A KOHLER COMPANY

## Features

- Heavy-duty, anodized aluminum-framed glass doors
- Panels are guided by a unique continuous bottom track guide system
- Out-of-plumb adjustability allows for easy installation
- Reversible top track and towel bar allow a choice between a rounded or accented design
- Tempered glass ensures maximum safety and durability
- Aluminum components extruded from alloy 6063-T5
- Screw covers included
- Stainless steel hardware prevents rusting or corrosion
- Made specifically to fit Sterling® shower receptor and wallset only

## Codes/Standards Applicable

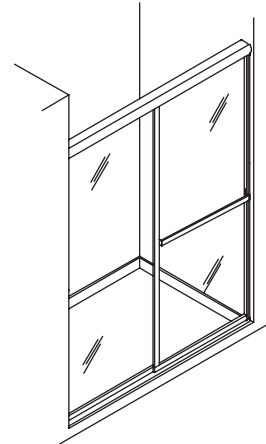
Specified model meets or exceeds the following:

- ANSI Z97.1 (tempered glass)
- 16 CFR Part 1201

## Specified Model

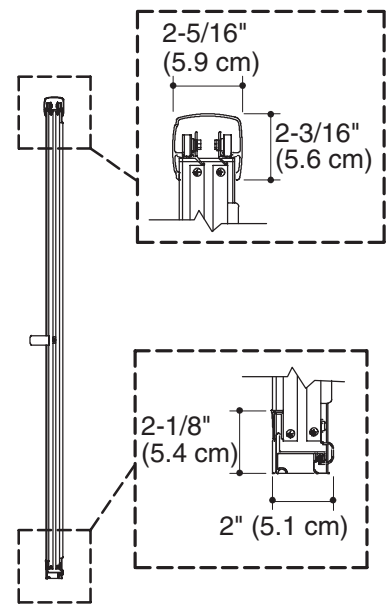
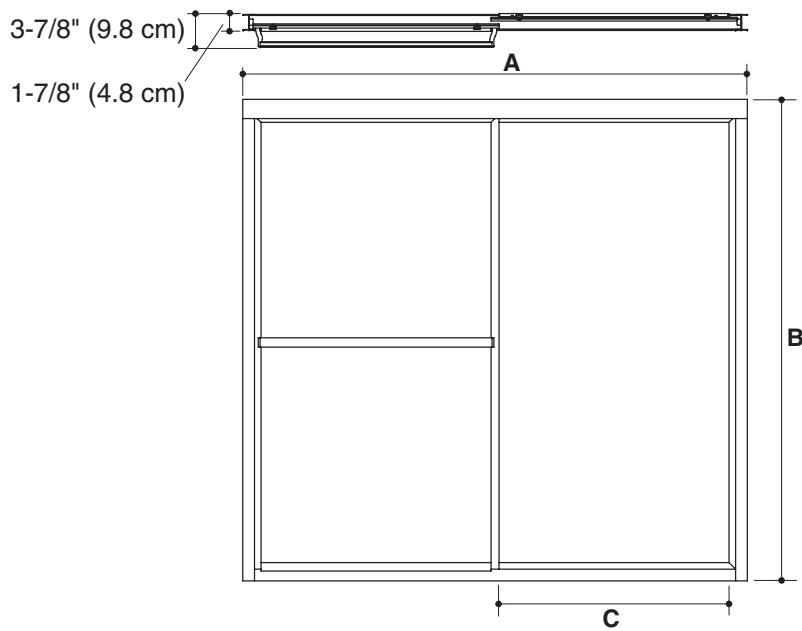
Model	A (Max Width)*	B (Height)*	C (Walk Through Max)*
5960SP-46**	46-3/16" (117.3 cm)	65-15/16" (167.5 cm)	19-7/16" (49.4 cm)
5965SP-46**	46-3/16" (117.3 cm)	65-15/16" (167.5 cm)	19-7/16" (49.4 cm)
5966SP-46**	46-3/16" (117.3 cm)	65-15/16" (167.5 cm)	19-7/16" (49.4 cm)
* Note: Consult the diagram on the next page for the location of the measurements.			
** Note: Add appropriate frame color/finish code to the end of the unit model # when ordering.			
<b>Recommended Accessories</b>			
62030100**	Advantage™ 48" (OC-SS-48) alcove shower		
** Note: Refer to the Price Book for shower options and additional color information.			

## DELUXE BY-PASS SHOWER DOORS 5960SP Series



## Colors/Finishes

- Refer to the Price Book for current frame finish and glass options



### Product Diagram