

# STERLING®

A KOHLER COMPANY

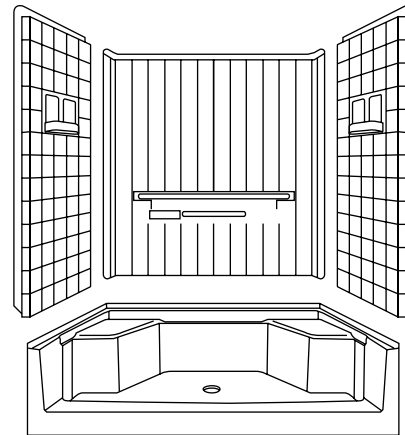
ADVANTAGE™

## Features

- Compression molded from our exclusive solid Vikrell® material
- Tongue-and-groove 4-piece modular design allows for easy "snap together" installation
- Durable swirl-gloss finish
- 10-year consumer/3-year commercial limited warranty
- Two toiletry shelves and 18" (45.7 cm) towel bar in backwall for added convenience
- 60-1/4" (153 cm) x 35-1/4" (89.5 cm) x 77-1/4" (196.2 cm) complete unit rough-in dimensions include flange
- 60" (152.4 cm) x 34" (86.4 cm) x 76" (193 cm) complete unit finished dimensions

## 60" (152.4 cm) SEATED SHOWER RECEPTOR AND WALL SURROUND

**62040100**  
ALSO 62040400



## Codes/Standards Applicable

Specified model meets or exceeds the following:

- ANSI Z124.1.2
- HUD, UM Bulletin 73A
- NAHB Research Foundation, Inc.
- ASTM E162
- ASTM E662
- CSA B45

## Colors/Finishes

- 0: White
- Other: Refer to Price Book for additional colors/finishes

## Specified Model

Model	Complete Unit Description	Colors/Finishes	
62040100	60" (152.4 cm) seated shower receptor and wall surround	<input type="checkbox"/> 0	<input type="checkbox"/> Other_____
62040400	60" (152.4 cm) seated shower receptor and wall surround, 4 pack	<input type="checkbox"/> 0	<input type="checkbox"/> Other_____

Model	Wall Component Description	Colors/Finishes	
62042100	Back wall	<input type="checkbox"/> 0	<input type="checkbox"/> Other_____
62043110	Left end wall	<input type="checkbox"/> 0	<input type="checkbox"/> Other_____
62043120	Right end wall	<input type="checkbox"/> 0	<input type="checkbox"/> Other_____
62044100	Complete wall set	<input type="checkbox"/> 0	<input type="checkbox"/> Other_____
62045100	End wall set	<input type="checkbox"/> 0	<input type="checkbox"/> Other_____

# ADVANTAGE™

## Technical Information

Model	door maximum width	door maximum height
62040100	56-1/2" (143.5 cm)	67" (170.2 cm)

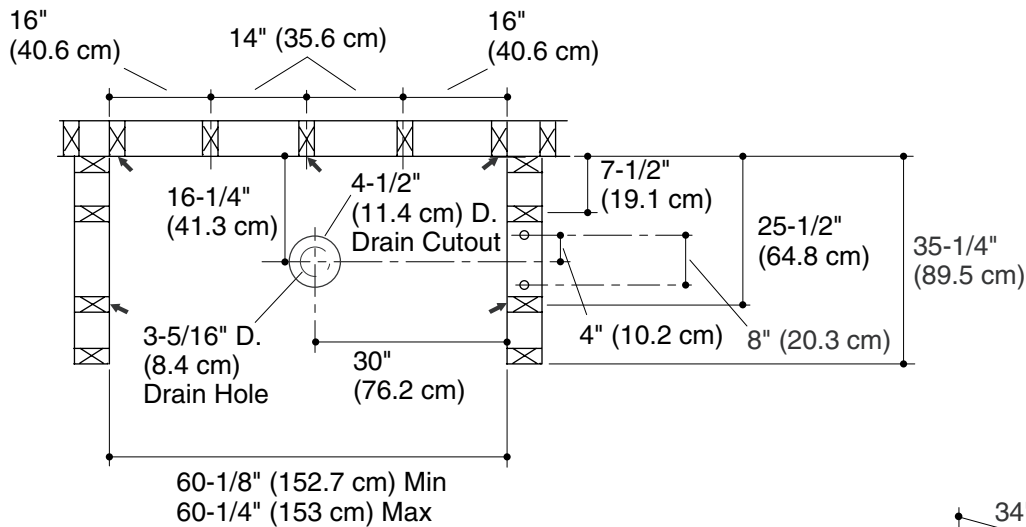
## Installation Notes

Install this product according to the installation guide.

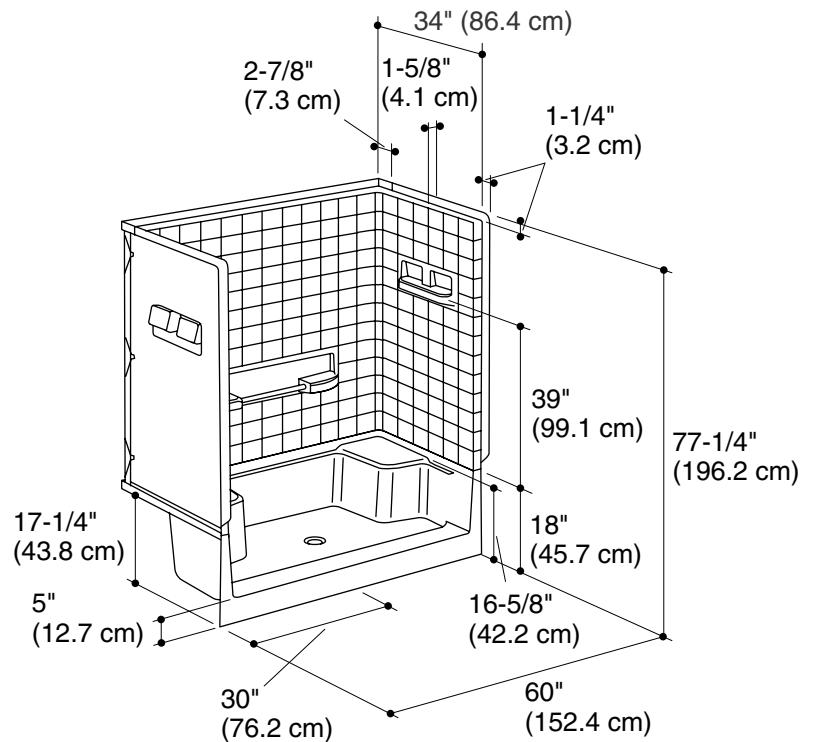
Size the drain cutout to fit the drain assembly that will be used.

Double studding is recommended for pivot shower door installations.

Studs should be positioned roughly as shown.



Recommended Support Clip Locations (5 total)  
**62040100**



## Product Diagram