

# STERLING®

A KOHLER COMPANY

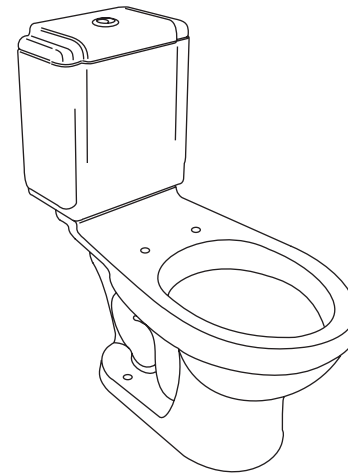
ROCKTON™

## DUAL FORCE® LOW CONSUMPTION TOILET 402024



### Features

- 12" (30.5 cm) rough-in
- Modern styling made of Grade A vitreous china
- One flush performance
- Round-front
- Seat post holes with 5-1/2" (14 cm) centers
- 5-year limited warranty
- 1.6 gallons (6 L) of water per flush for solid waste and .8 gallons (3 L) of water per flush for liquid waste
- Two-bolt installation system
- Standard round seat - not supplied
- Dual Force® flushing system
- 2-1/2" (6.4 cm) glazed trapway
- 29-3/4" (75.6 cm) x 13-5/8" (34.6 cm) x 29-7/8" (75.9 cm)



### Codes/Standards Applicable

Specified model meets or exceeds the following:

- ASME A112.19.2/CSA B45.1
- ASME A112.19.14
- EPA WaterSense®

### Colors/Finishes

- 0: White
- Other: Refer to Price Book for additional colors/finishes

### Accessories

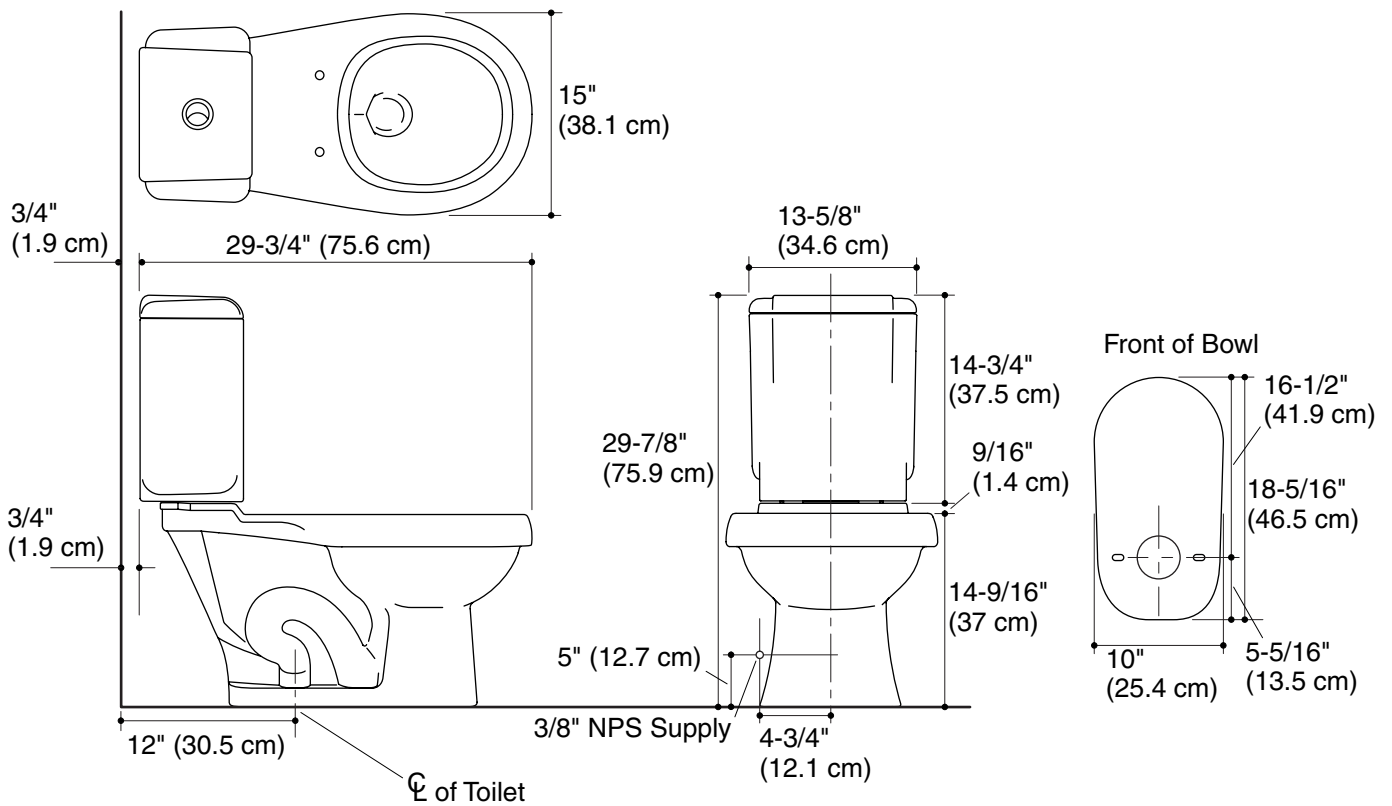
- NA: None applicable

### Specified Model

Model	Description	Included EB bowl	Included tank	Included bowl	Colors/Finishes	
402024	Regular front toilet, 12" (30.5 cm) rough-in	402027	402022	402021	<input type="checkbox"/> 0	<input type="checkbox"/> Other_____

## Technical Information

Fixture:	
Configuration	2-piece
Water per full flush	1.6 gallons (6 L)
Water per half flush	.8 gallons (3 L)
Passageway	2" (5.1 cm)
Water area	4-1/2" (11.4 cm) x 5-3/4" (14.6 cm)
Seat post hole centers	5-1/2" (14 cm)
Included Components:	
Tank accessory pack	1035430
Tank lid	1045794



## Product Diagram