

STERLING®

A KOHLER COMPANY

ENSEMBLE™

32" (81.3 cm) BATH
71121110
 ALSO 71121120



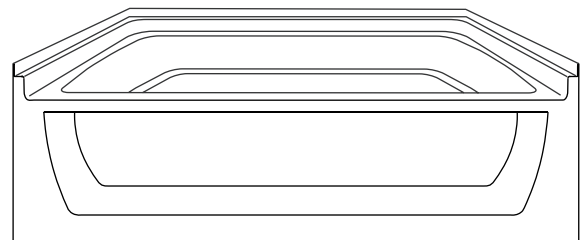
Features

- Compression molded from our exclusive solid Vikrell® material
- Bath and integral apron eliminates installation step
- Durable high-gloss finish
- 10-year consumer/3-year commercial limited warranty
- 2" (5.1 cm) wainscot/tile ledge
- 18" (45.7 cm) bath depth (floor to top of threshold)
- 60-1/4" (153 cm) x 32-1/8" (81.6 cm) x 21" (53.3 cm) rough-in dimensions include nailing flange
- 60" (152.4 cm) x 32" (81.3 cm) x 20" (50.8 cm) finished dimensions

Codes/Standards Applicable

Specified model meets or exceeds the following:

- ANSI Z124.1.2
- ASTM E162
- ASTM E662
- CSA B45.5



Colors/Finishes

- 0: White
- Other: Refer to Price Book for additional colors/finishes

Specified Model

Model	Description	Colors/Finishes	
71121110	32" (81.3 cm) bath, left drain	<input type="checkbox"/> 0	<input type="checkbox"/> Other_____
71121120	32" (81.3 cm) bath, right drain	<input type="checkbox"/> 0	<input type="checkbox"/> Other_____

Model	Access Panel Component Description	Colors/Finishes	
71121117	Bath only with access panel, left drain	<input type="checkbox"/> 0	<input type="checkbox"/> Other_____
71121127	Bath only with access panel, right drain	<input type="checkbox"/> 0	<input type="checkbox"/> Other_____

ENSEMBLE™

Technical Information

Fixture*:	
Basin area:	
Bathing well	42" (106.7 cm) x 20" (50.8 cm)
Top area	54" (137.2 cm) x 26" (66 cm)
To overflow:	
Water depth	13-3/4" (34.9 cm)
Capacity	55 gal (208.2 L)
* Approximate measurements for comparison only.	

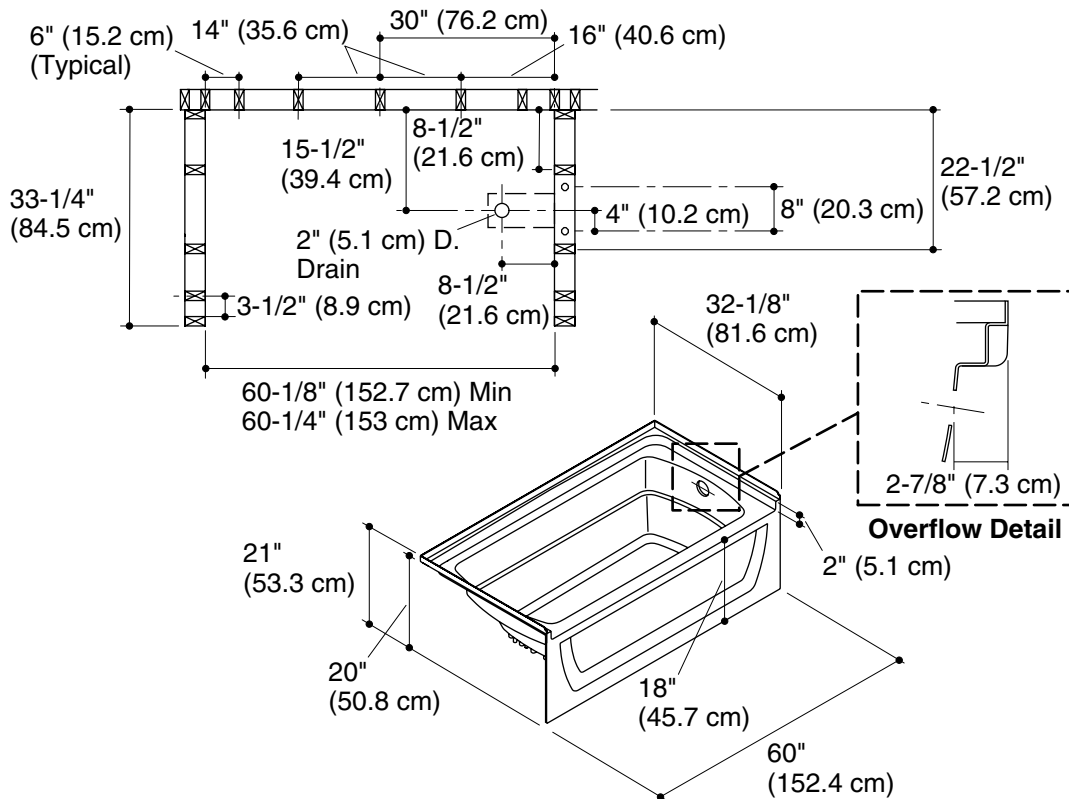
Model	door maximum width	door maximum height
71121110	57-11/16"	NA*
71121120	(146.5 cm)*	
* Varies with alternative walls.		

Installation Notes

Install this product according to the installation guide.

Size the drain cutout to fit the drain assembly that will be used.

Studs should be positioned roughly as shown.



Product Diagram