

STERLING®

A KOHLER COMPANY

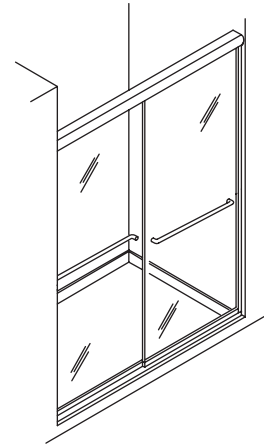
SHOWERGLIDE™

BY-PASS SHOWER DOORS

1050C
ALSO 1070C

Features

- Adjustable rollers allow doors to slide effortlessly and quietly
- Convenient towel bar included
- Tempered glass ensures maximum safety and durability
- Aluminum components extruded from alloy 6063-T5
- Stainless steel hardware prevents rusting or corrosion
- Unique clip guide locks door panel into bottom track for smooth panel operation
- Anodized aluminium-framed sliding glass doors
- Easy-to-clean track directs water back into the shower and minimizes soap or lint build-up



Codes/Standards Applicable

Specified model meets or exceeds the following:

- ANSI Z97.1 (tempered glass)

Colors/Finishes

- Refer to the Price Book for current frame finish and glass options

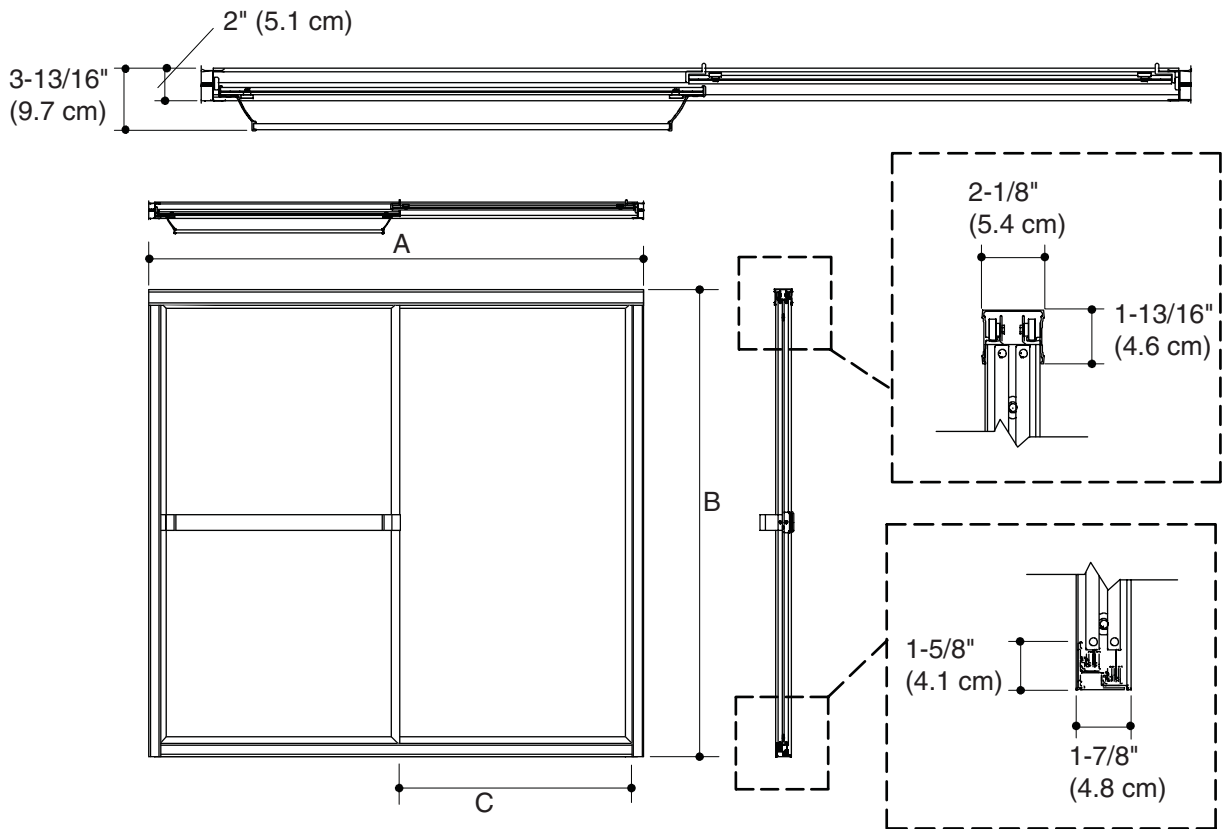
Specified Model

| Model | Width (A)* (Max) | Height (B)* | Walk Through (C)* (Max) |
|------------|---------------------|---------------------|----------------------------|
| 1050C-44** | 44" (111.8 cm) | 65-7/16" (166.2 cm) | 20-5/16" (51.6 cm) |
| 1050C-46** | 46" (116.8 cm) | 65-7/16" (166.2 cm) | 21-5/16" (54.1 cm) |
| 1050C-48** | 48" (121.9 cm) | 65-7/16" (166.2 cm) | 22-5/16" (56.7 cm) |
| 1070C-48** | 48" (121.9 cm) | 70-1/8" (178.1 cm) | 22-5/16" (56.7 cm) |
| 1070C-59** | 59" (149.9 cm) | 70-1/8" (178.1 cm) | 27-5/8" (70.2 cm) |

* Note: Consult the diagram on the next page for the location of the measurements.
 ** Note: Add appropriate frame color/finish code to the end of the unit model # when ordering.

SHOWERGLIDE™

Technical Information



Product Diagram