

STERLING®

A KOHLER COMPANY

ENSEMBLE™

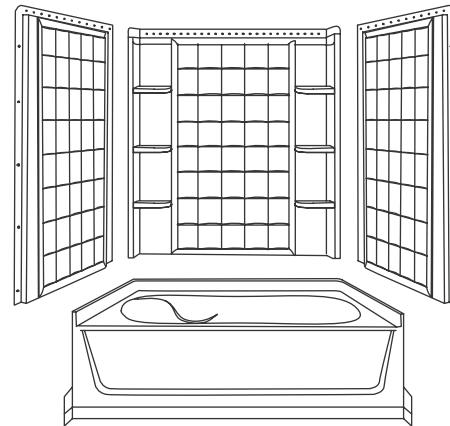
Features

- Compression molded from our exclusive solid Vikrell® material
- Gentle sloping back, neck, and armrest in bath design
- Above-floor-drain (AFD) rough-in
- Factory installed injection molded apron extension and undersupport structure
- Tongue-and-groove 4-piece modular design allows for easy "snap together" installation
- Durable high-gloss finish
- 10-year consumer/3-year commercial limited warranty
- 18-1/4" (464 mm) bath depth (floor to top of threshold)
- 60-1/4" (1530 mm) x 37-1/2" (953 mm) x 75-1/2" (1918 mm) complete unit rough-in dimensions include flange
- 60" (1524 mm) x 36" (914 mm) x 74-1/4" (1886 mm) complete unit finished dimensions

36" (914 mm) AFD BATH AND WALL SURROUND

71100112

ALSO 71100119, 71100122, 71100129



Codes/Standards Applicable

Specified model meets or exceeds the following:

- ANSI Z124.1.2
- CSA B45
- ASTM E162
- ASTM E662

Colors/Finishes

- 0: White
- Other: Refer to Price Book for additional colors/finishes

Specified Model

Model	Complete Unit Description	Colors/Finishes	
71100112	36" (914 mm) AFD bath and wall surround, left drain	<input type="checkbox"/> 0	<input type="checkbox"/> Other _____
71100119	36" (914 mm) AFD bath/shower with access panel system, left drain	<input type="checkbox"/> 0	<input type="checkbox"/> Other _____
71100122	36" (914 mm) AFD bath and wall surround, right drain (shown)	<input type="checkbox"/> 0	<input type="checkbox"/> Other _____
71100129	36" (914 mm) AFD bath/shower with access panel system, right drain	<input type="checkbox"/> 0	<input type="checkbox"/> Other _____

Model	Wall Component Description	Colors/Finishes	
71102100	Back wall	<input type="checkbox"/> 0	<input type="checkbox"/> Other _____
71103110	Left end wall	<input type="checkbox"/> 0	<input type="checkbox"/> Other _____
71103120	Right end wall	<input type="checkbox"/> 0	<input type="checkbox"/> Other _____
71104100	Complete wall set	<input type="checkbox"/> 0	<input type="checkbox"/> Other _____
71105100	End wall set	<input type="checkbox"/> 0	<input type="checkbox"/> Other _____

ENSEMBLE™

Technical Information

Fixture*:	
Basin area:	
Bathing well	40" (1016 mm) x 21" (533 mm)
Top area	52" (1321 mm) x 29" (737 mm)
To overflow:	
Water depth	11" (279 mm)
Capacity	40 gal (151.4 L)
* Approximate measurements for comparison only.	

Model	Door width	Door maximum height
All	58-1/2" (1486 mm)	55-3/4" (1416 mm)

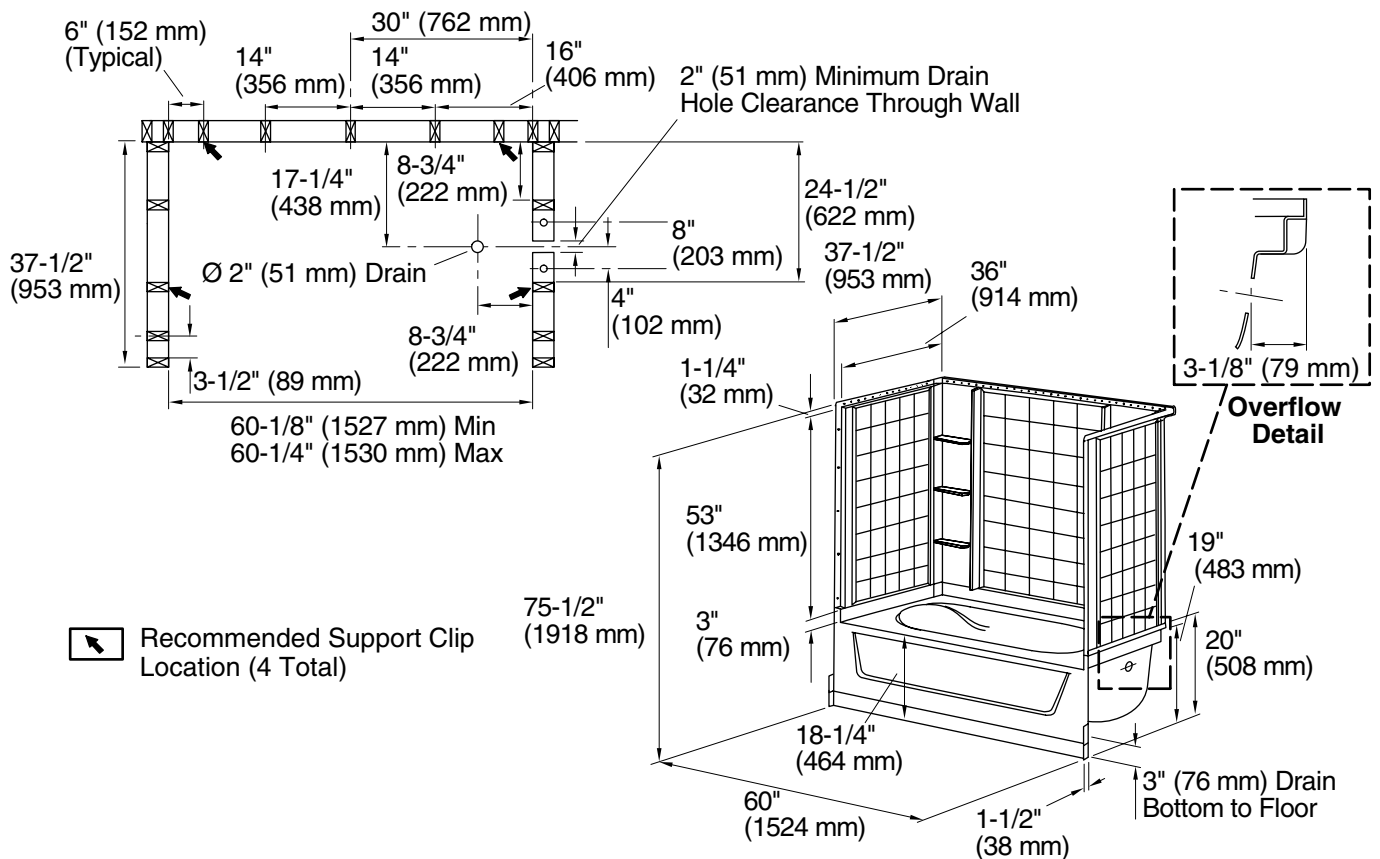
Installation Notes

Install this product according to the installation guide.

Size the drain hole clearance to fit the drain assembly that will be used.

End stud positioning is critical.

Studs should be positioned roughly as shown.



Product Diagram