

STERLING®

A KOHLER COMPANY

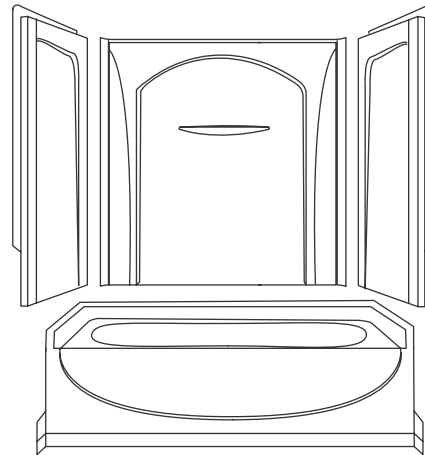
ACCLAIM™

Features

- Compression molded from our exclusive solid Vikrell® material
- Above-floor-drain (AFD) rough-in
- Factory installed injection molded apron extension and undersupport structure
- Tongue-and-groove 4-piece modular design allows for easy "snap together" installation
- Durable high-gloss finish
- 10-year consumer/3-year commercial limited warranty
- Installation with wall surrounds is the only recommended installation
- 17-1/4" (43.8 cm) bath depth (floor to top of threshold)
- 60-1/4" (153 cm) x 31-1/2" (80 cm) x 75-3/4" (192.4 cm) complete unit rough-in dimensions include flange
- 60" (152.4 cm) x 30" (76.2 cm) x 74-1/4" (188.6 cm) complete unit finished dimensions

60" (152.4 cm) AFD BATH AND WALL SURROUND

71090112
ALSO 71090122



Codes/Standards Applicable

Specified model meets or exceeds the following:

- ANSI Z124.1.2
- CSA B45
- ASTM E162
- ASTM E662

Colors/Finishes

- 0: White
- Other: Refer to Price Book for additional colors/finishes

Specified Model

Model	Complete Unit Description	Colors/Finishes	
71090112	60" (152.4 cm) AFD bath and wall surround, left drain	<input type="checkbox"/> 0	<input type="checkbox"/> Other _____
71090122	60" (152.4 cm) AFD bath and wall surround, right drain	<input type="checkbox"/> 0	<input type="checkbox"/> Other _____

Model	Wall Component Description	Colors/Finishes	
71092100	Back wall	<input type="checkbox"/> 0	<input type="checkbox"/> Other _____
71093110	Left end wall	<input type="checkbox"/> 0	<input type="checkbox"/> Other _____
71093120	Right end wall	<input type="checkbox"/> 0	<input type="checkbox"/> Other _____
71094100	Complete wall set	<input type="checkbox"/> 0	<input type="checkbox"/> Other _____
71095100	End wall set	<input type="checkbox"/> 0	<input type="checkbox"/> Other _____

Model	ADA Adaptive Component Description	Colors/Finishes	
71090118	ADA complete unit with age in place backers, left drain	<input type="checkbox"/> 0	<input type="checkbox"/> Other _____
71090128	ADA complete unit with age in place backers, right drain	<input type="checkbox"/> 0	<input type="checkbox"/> Other _____

Technical Information

Fixture*:	
Basin area:	
Bathing well	42" (106.7 cm) x 16-1/4" (41.3 cm)
Top area	56" (142.2 cm) x 23-3/4" (60.3 cm)
To overflow:	
Water depth	12" (30.5 cm)
Capacity	34 gal (128.7 L)
* Approximate measurements for comparison only.	

Model	door maximum width	door maximum height
71090112	58-1/2" (148.6 cm)	56-1/2" (143.5 cm)
71090122		
* Varies with alternative walls.		

Installation Notes

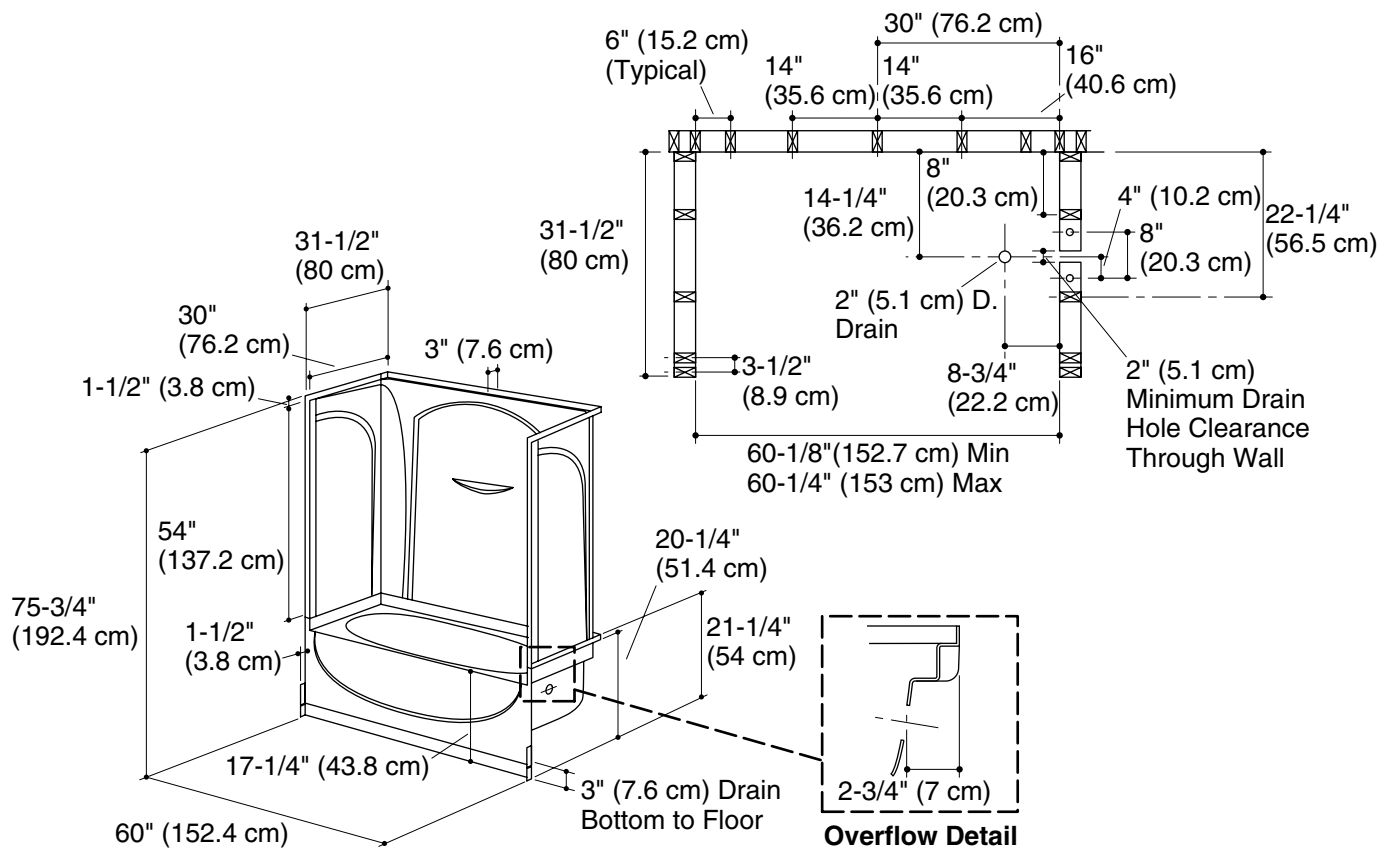
Install this product according to the installation guide.

Size the drain hole clearance to fit the drain assembly that will be used.

End stud positioning is critical if apron nailing-in flanges are to be used.

Studs should be positioned roughly as shown.

Adjacent finished wall thickness must not exceed 9/16" (1.4 cm).



Product Diagram