

# STERLING®

A KOHLER COMPANY

ENSEMBLE™

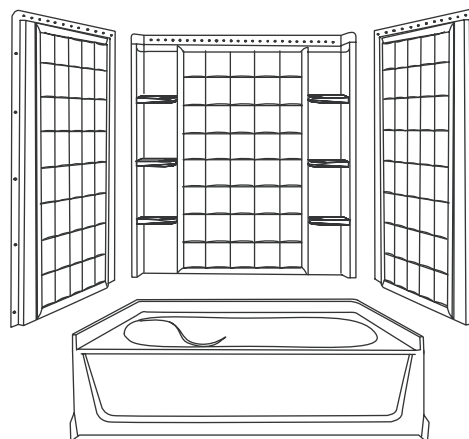
## Features

- Compression molded from our exclusive solid Vikrell® material
- Gentle sloping back, neck, and armrest in bath design
- Bath and integral apron eliminates installation step
- Tongue-and-groove 4-piece modular design allows for easy "snap together" installation
- Durable high-gloss finish
- 10-year consumer/3-year commercial limited warranty
- 3" (76 mm) wainscot/tile ledge
- 16" (406 mm) bath depth (floor to top of threshold)
- 60-1/4" (1530 mm) x 37-1/2" (953 mm) x 73-1/4" (1861 mm) complete unit rough-in dimensions include flange
- 60" (1524 mm) x 36" (914 mm) x 72" (1829 mm) complete unit finished dimensions

## 36" (914 mm) OVAL BATH AND WALL SURROUND

# 71100110

ALSO 71100117, 71100120, 71100127



## Codes/Standards Applicable

Specified model meets or exceeds the following:

- ANSI Z124.1.2
- HUD, UM Bulletin 73A
- NAHB Research Foundation, Inc.
- ASTM E162
- ASTM E662
- CSA B45

## Colors/Finishes

- 0: White
- Other: Refer to Price Book for additional colors/finishes

## Specified Model

Model	Complete Unit Description	Colors/Finishes	
71100110	36" (914 mm) oval bath and wall surround, left drain	<input type="checkbox"/> 0	<input type="checkbox"/> Other_____
71100117	36" (914 mm) oval bath/shower with access panel system, left drain	<input type="checkbox"/> 0	<input type="checkbox"/> Other_____
71100120	36" (914 mm) oval bath and wall surround, right drain (shown)	<input type="checkbox"/> 0	<input type="checkbox"/> Other_____
71100127	36" (914 mm) oval bath/shower with access panel system, right drain	<input type="checkbox"/> 0	<input type="checkbox"/> Other_____

Model	Wall Component Description	Colors/Finishes	
71102100	Back wall	<input type="checkbox"/> 0	<input type="checkbox"/> Other_____
71103110	Left end wall	<input type="checkbox"/> 0	<input type="checkbox"/> Other_____
71103120	Right end wall	<input type="checkbox"/> 0	<input type="checkbox"/> Other_____
71104100	Complete wall set	<input type="checkbox"/> 0	<input type="checkbox"/> Other_____
71105100	End wall set	<input type="checkbox"/> 0	<input type="checkbox"/> Other_____

# ENSEMBLE™

## Technical Information

Fixture*:	
Basin area:	
Bathing well	40" (1016 mm) x 21" (533 mm)
Top area	52" (1321 mm) x 29" (737 mm)
To overflow:	
Water depth	11" (279 mm)
Capacity	40 gal (151.4 L)
* Approximate measurements for comparison only.	

Model	Door width	Door maximum height
All	58-1/2" (1486 mm)	55-3/4" (1416 mm)

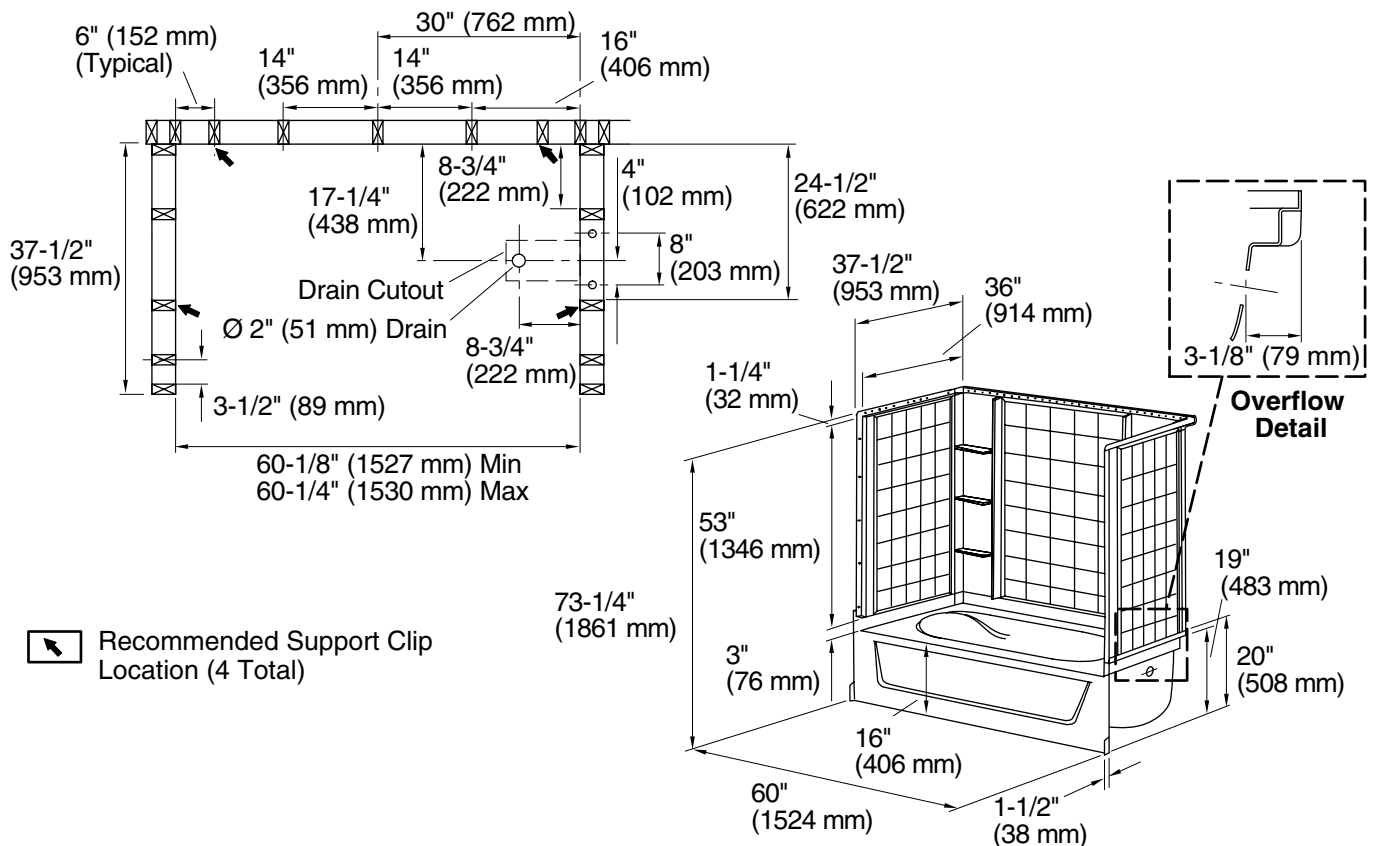
## Installation Notes

Install this product according to the installation guide.

Size the drain cutout to fit the drain assembly that will be used.

End stud positioning is critical.

Studs should be positioned roughly as shown.



## Product Diagram

ENSEMBLE™ 36" (914 mm) OVAL BATH AND WALL SURROUND

Page 2 of 2  
1020184-4-H

**STERLING**  
A KOHLER COMPANY