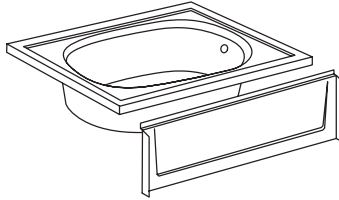


Installation Guide

Baths

6105, 7105 Series



Français, page "Français-1"
Español, página "Español-1"

STERLING
A KOHLER COMPANY

Tools and Materials



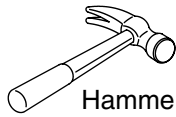
Measuring Tape



Pencil



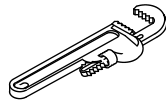
Square



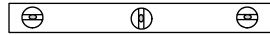
Hammer



Safety Glasses



Pipe Wrench



Level



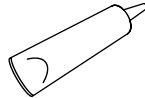
Adjustable Wrench



Pliers



Drill



Clear 100% Silicone Sealant

Plus:

- Conventional wood working tools and materials
- Drop cloth
- Construction adhesive (optional)
- Cement or mortar (optional)
- 2x4s or 2x6s
- Tubing cutter
- Large-head roofing nails or non-tapered flathead screws

Thank You For Choosing Sterling

We appreciate your commitment to Sterling value. Please take a few minutes to review this manual before you start installation. If you encounter any installation or performance problems, please don't hesitate to contact us. Our phone numbers are listed on the back cover. Thanks again for choosing Sterling.

Before You Begin



CAUTION: Risk of product or property damage. Do not drill or install a fastener through the bath flange when securing the bath to stud walls. The bath may leak if the bath flange is punctured in any way.



CAUTION: Risk of property damage. Do not apply clear 100% silicone sealant to the bath unless instructed to do so. If applied improperly, sealant may trap moisture and cause leaks, mold, or mildew.

IMPORTANT! Risk of product damage. Do not install the bath over open floor joists. The basin area requires no additional support when the subfloor is level and square with the stud framing.

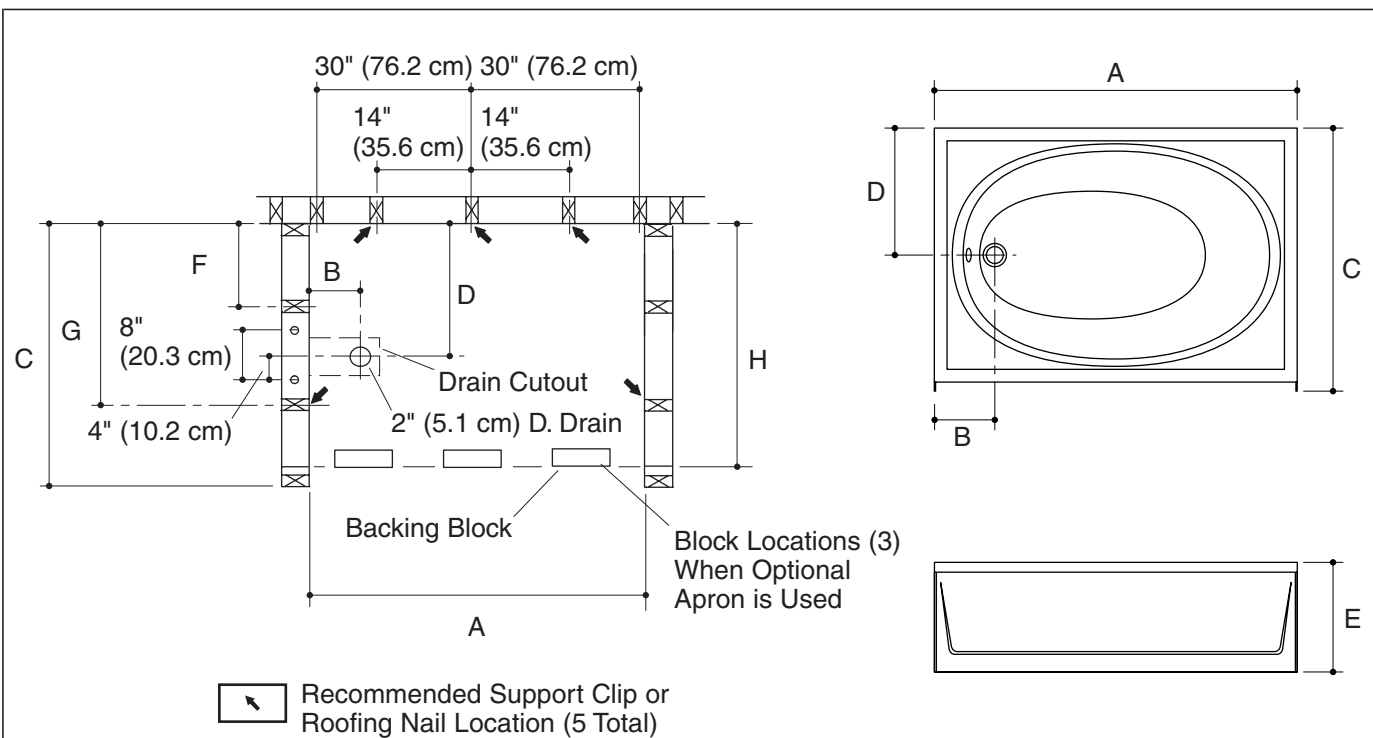
IMPORTANT! Risk of product damage. Bath units shipped in a single carton already have braces installed. Bath units shipped in multi-pack cartons may need apron braces connected **before** removal from the shipping cartons.

IMPORTANT! To avoid water damage, apply clear 100% silicone sealant to the seam where the walls meet the bath, and along the bottom edge of the apron.

NOTE: Install the bath on an adequately supported, level subfloor. Use shims for additional support if the subfloor is uneven.

NOTE: Use only clear 100% silicone sealant. Latex, caulks, or siliconized latex sealants may not provide water and mildew resistance over the life of the product.

- Read all instructions before you begin.
- Observe all applicable plumbing and building codes.
- This bath is designed for alcove installations.
- If remodeling, measure the existing framework before removing the old bath to make sure that the new one will fit. Make sure that the drain is in the correct location.
- Confirm adequate mounting and connection space for the water supply and drain installation.
- Check for missing parts or damage to the bath. Report any missing parts or damage immediately.



Diagrams shown are representative and for use with the table only. Your fixture may appear different from the illustrations.

Roughing-In

	A	B	C	D	E	F	G	H
61050100	60" (152.4 cm)	10" (25.4 cm)	43-1/2" (110.5 cm)	21" (53.3 cm)	18-1/8" (46 cm)	13" (33 cm)	29" (73.7 cm)	41-3/16" (104.6 cm)

IMPORTANT! Dimensions given in the roughing-in information are critical for proper installation. Construct the framing and plumbing accurately.

IMPORTANT! All dimensions are nominal. The stud opening tolerance is plus 1/8" (3 mm) and minus 0.

NOTE: If a firewall is required, increase roughing-in dimensions by its material thickness. Measure stud opening dimensions toward the exposed side of the wall material.

NOTE: If installing this bath to a masonry wall, provide for plumbing connections. Construct a separate frame wall at least 6" (15.2 cm) from the masonry wall.

Position the bath for drainage clearance through the floor joists or slab, and for convenient plumbing installation.

Position studs as shown for installing attachment clips and plumbing fixtures.

The bath with apron can be installed in an alcove directly to the framing studs, and wallboard or other water-resistant material. When installing over wallboard or other water-resistant wall material, increase the framing dimensions to accommodate the material thickness. The bath without apron can be installed in a cutout in the floor (drop-in) or in a built-up area (island).

For baths with wall surrounds, do not install accessories that require backing or support. Such installation could void the warranty.

Install an access panel at the drain end of the bath. The access panel is not shown.

Roughing-In (cont.)

If installing this bath with a shower door, refer to the shower door manufacturer's instructions for any special framing considerations.

1. Construct the Framing

Install the Framing

NOTE: Refer to the "Roughing-In" section for dimensions.

- Install the subfloor if needed.
- Construct 2x4 stud framing for your particular installation according to the "Roughing-In" section.
- Ensure that the framing for each stud is plumb and square to within 1/8" (3 mm). Shim as needed to meet tolerances.

Construct the Floor

IMPORTANT! Construct the floor of plywood. If the bath is installed over material other than plywood, friction may cause squeaking over time.

IMPORTANT! Make sure the felt pad is properly positioned so that every bath-subfloor contact point has felt between the bath and the subfloor.

- Place the provided felt pad between the bath and the subfloor, positioned so that every bath-subfloor contact point has felt between the bath and the subfloor.
- Cut a hole in the floor for the drain.
- Verify that the subfloor is flat and level. If the subfloor is not level, proceed to the "Level the Floor" subsection.

IMPORTANT! Squeaking may develop if the bath is installed over a subfloor other than plywood. In order to prevent squeaking place a pad between the bath and subfloor. The recommended pad material is a spun bonded polyester landscape fabric, or spun bonded house wrap material. Do not use roofing felt for this purpose.

Level the Floor (If Needed)

NOTE: Use cement or mortar for this application. Gypsum cement or drywall compound will not provide adequate support.

NOTE: The bath supports must rest directly on a level subfloor.

- Build a dam to keep the flooring material in the desired area. Be sure to dam the drain area.
- Spread and level a layer of cement or mortar on the subfloor where the bath supports will rest.
- Allow the cement or mortar material to cure.
- Remove the dam.

Install the Ledger Strip

- Cut three ledger strips from 2x4 lumber to fit the framing pocket. The rear ledger strip must be 60" (152.4 cm) long. The end ledger strips must extend 39-3/4" (101 cm) from the rear ledger strip. Adjust these dimensions accordingly if beveling the ends.
- Install the ledger strips in the alcove no higher than 16-1/2" (41.9 cm) above the level floor. Ensure that the ledger strip is level before fastening it into place.

NOTE: Nails must penetrate the framing studs to a minimum depth of 1" (2.5 cm).

- Fasten the ledger strips using two nails per stud.

Frame the floor according to the roughing-in information.

Construct 2x4 or 2x6 stud framing according to the roughing-in information.

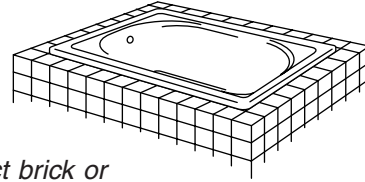
Provide a 1/16" (2 mm) gap between the bath rim and framing.

Verify that the subfloor offers adequate support, and is flat and level.

Drop-In Installation

Provide a 1/16" (2 mm) gap between the basin rim and the island.

Verify that the subfloor offers adequate support and is flat and level.



Construct brick or concrete island according to the rough-in illustration.

Island Installation

2. Construct the Drop-In/Island Framing

The bath may be installed in either a drop-in or an island installation.

A drop-in installation requires a cut-out in the floor with decking on all four sides. A framework and subfloor must be added below the deck. The deck positions the bath while the framework and subfloor support the bath.

An island installation requires a built-up, four-sided surround typically made of brick or concrete. The floor that the built-up surround rests on supports the bath. The surround only positions the bath.

NOTE: Be sure to provide adequate floor support. The water capacity for the bath is 56 gallons (212 liters) of water.

For Drop-in Installations

 **CAUTION: Risk of product damage.** Do not support the bath by the rim.

- Carefully lay out and cut the rough deck material. Use the cut-out template, if one is provided, or refer to the applicable diagram in the "Roughing-In" section.
- Allow clearance to install the drain assembly and the water supply piping.
- Construct an access panel at the plumbing end of the fixture.

NOTE: The subfloor must be no lower than 16-1/2" (41.9 cm) below the deck. The subfloor installation should allow 1/16" (2 mm) of clearance for sealant between the deck and the lower rim of the empty bath.

- Construct a 2x4 or 2x6 frame with plywood subfloor below the deck.
- Make sure the subfloor is flat and level.

For Island Installations

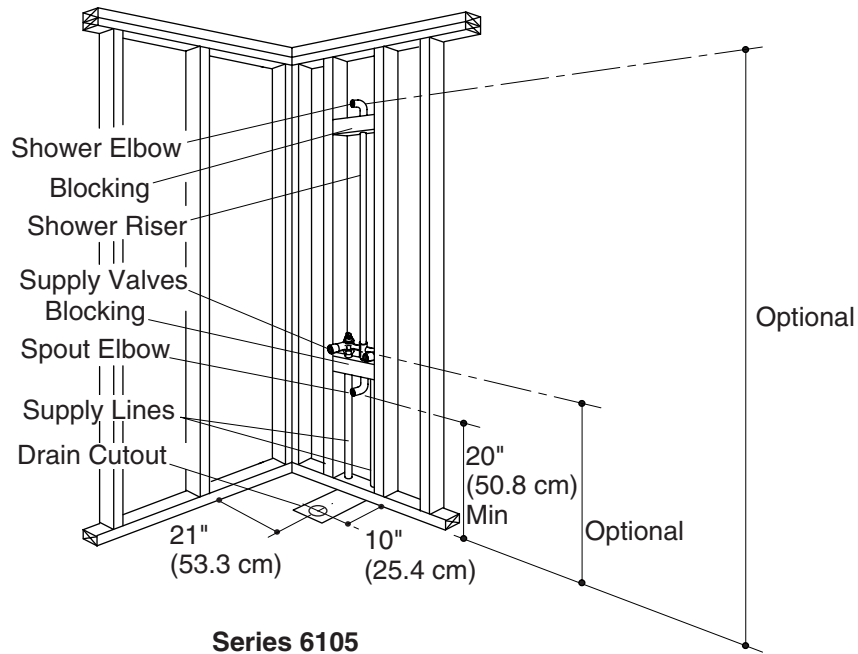
 **CAUTION: Risk of product damage.** Do not support the bath by the rim.

- Carefully lay out the masonry work. Consider whether the finished tile will be flush with the bath or installed under the rim.
- Make sure that the subfloor is flat and level.
- Allow clearance to install the drain assembly and the water supply piping.
- Construct an access panel at the plumbing end of the fixture.

Construct the Drop-In/Island Framing (cont.)

NOTE: The subfloor must be no lower than 16-1/2" (41.9 cm) below the masonry island. The subfloor installation should allow 1/16" (2 mm) clearance for sealant between the island and the lower rim of the empty bath.

- Construct the island of brick or concrete.
- Add tile or other finish material, leaving a 1/16" (2 mm) clearance for sealant between the island and the rim of the bath.



3. Install the Rough Plumbing

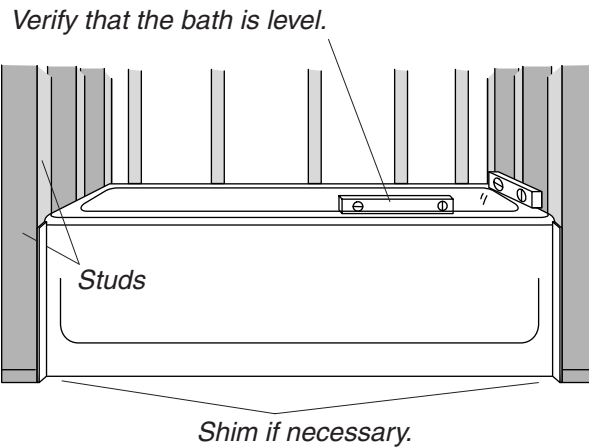
NOTE: Provide access to all plumbing connections to simplify further maintenance.

NOTE: The drain line should be located before the unit is installed. The overflow and drain must be installed according to the manufacturer's instructions. Locate the drain line and trap using the dimensions given in the "Roughing-In" section of this guide.

- Locate the rough plumbing for the drain according to the roughing-in dimensions.

NOTE: If plumbing will be installed on the unfinished stud wall, install the supplies **after** the bath is installed.

- Position the plumbing according to the roughing-in information. Cap the supplies and check for leaks.
- Strap the supply connections to the stud framing.
- Provide an access at the back of the plumbing wall for servicing the supply and waste piping, if possible.
- Install the shower valving according to the manufacturer's instructions. Do not install the trim at this time.



4. Position the Bath – Alcove Installations

IMPORTANT! Risk of product damage. Do not lift or move the bath by the apron or apron braces. Lift the bath by the rim at multiple points.

- Install the drain and overflow assembly according to the drain manufacturer's instructions. Do not connect the trap at this time.

IMPORTANT! Risk of product damage. Verify that the apron braces are attached before installing the bath.

- Position the provided felt pad under the bath supports.
- Position and adjust the bath until its outside edge is flush with the finished walls.
- Verify that the bath is level and well supported by the floor. If not, shim the bath using metal, hardwood, or other durable material.
- Reposition and shim the bath until it is both aligned with the finished wall and level.

Install a Mortar Bed (Optional)

- Remove the bath and felt pad.

NOTE: Do not use gypsum cement or drywall compound for this application, as they will not provide adequate support.

NOTE: The bath supports must rest directly on the subfloor.

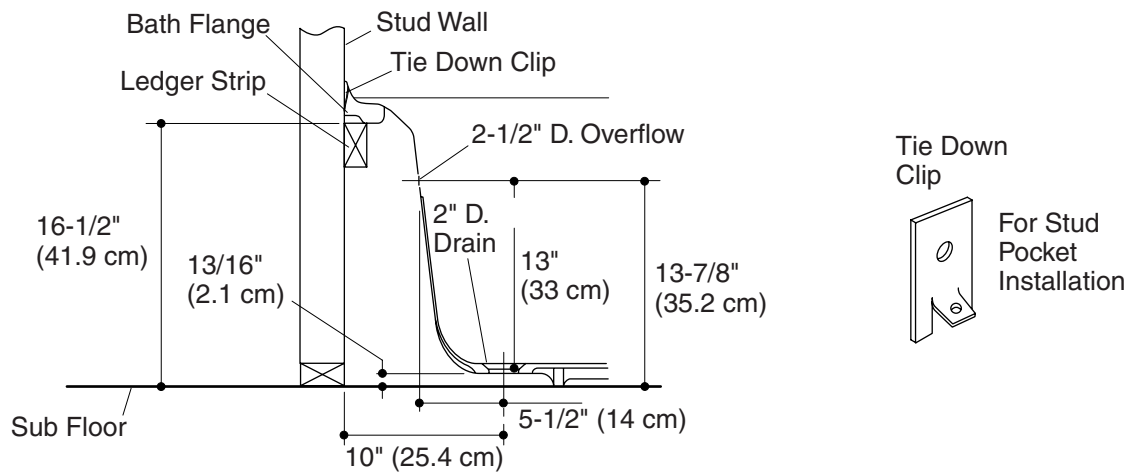
- Build a dam to keep the flooring material clear of the drain area.
- Spread a 2" (5.1 cm) layer of mortar on the subfloor, spreading it so each area the bath will contact the subfloor has mortar. Allow room for the mortar to expand from the weight of the bath.
- Allow the mortar to set.
- Remove the dams.
- Move the bath into position.
- Verify that the bath is level and resting on all supports.

5. Position the Bath – Drop-In/Island Installations

- Leave the protective liner in the bath to prevent scratching during the installation. If the protective liner is not available, add a drop cloth or other protective liner.

Position the Bath – Drop-In/Island Installations (cont.)

- Install the drain and overflow assembly to the bath according to the drain manufacturer's instructions. Do not connect the trap at this time.
- Position the bath in the recess.
- Verify that the bath is level and well supported by the floor.
- If the bath is not level or well supported, remove the bath and place shims under the bath feet. Use metal, hardwood, or other durable material for the shims.
- Position the bath in the recess and retest for level. Repeat until the bath is level.



6. Secure the Bath to the Frame

For Alcove Installations

Install the Optional Apron

- Cut out the bath protector from the empty carton and place it in the bath.
- Lift the apron from the bottom and slide it up and into position under the front rim of the bath.
- Push the bottom of the apron back against the three floor blocks (previously installed).
- Drill a minimum of two 1/16" (2 mm) pilot holes through each of the apron flanges.
- Use large-head roofing nails or flathead screws to fasten the apron to the studs.

Secure the Bath to the Studs

NOTE: The bath can be attached to the studs using attachment clips (provided) or large-head roofing nails.

- Verify that the studs are within 1/8" (3 mm) of the bath at the recommended attachment clip or nail locations. Shim if necessary.
- Verify that the fastener heads will not interfere with installing the wall surrounds or finished wall material.

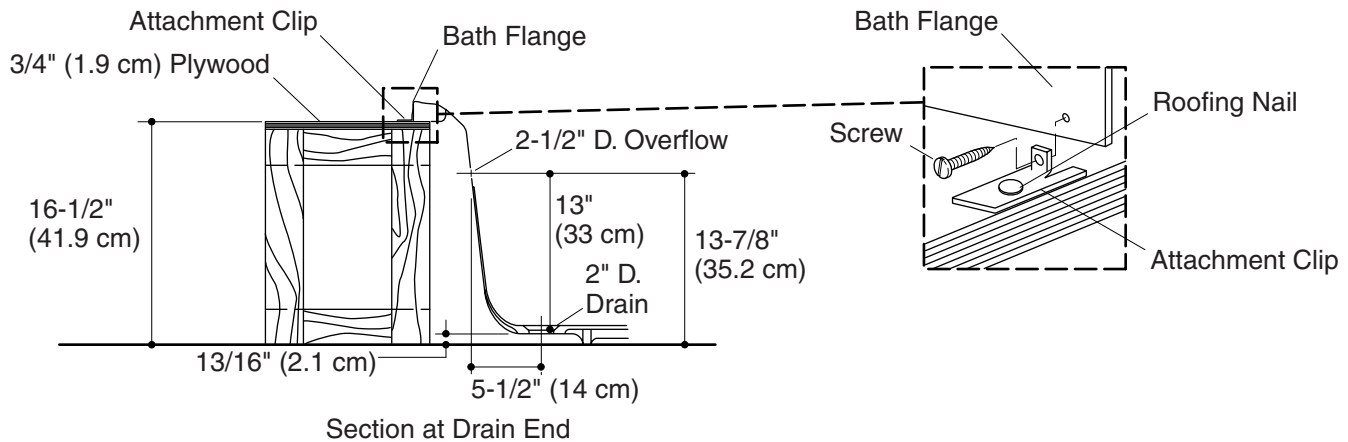
To secure attachment clips to the studs:

- Refer to the "Roughing-In" section for attachment clip locations.
- Position the bottom lip of the attachment clip under the bath flange as shown in the illustration.
- Slide the attachment clip into place between the center of the stud and the bath.
- Bend the attachment clip tab over the bath flange with a pair of pliers.
- Secure the clip with a large-head roofing nail or non-tapered flathead screw.

To secure large-head roofing nails to the studs:

IMPORTANT! Install the large-head roofing nails directly above the bath flange at each stud location. **Do not nail or drill through the bath flange.**

- Install the nails so the nail heads will secure the bath flange without damaging it, and will not interfere with installing the remaining wall material.



7. Secure the Bath to the Deck/Alcove

For Drop-In/Island Installations

- Make sure that there is a drop cloth or other protective liner in the bath.
- The bath can be attached using the attachment clips (provided) or large-head roofing nails.
- Verify that the studs are within 1/8" (3 mm) of the bath at the recommended clip or nail locations. Shim if necessary.

To secure with attachment clips:

- Refer to the diagram in the "Roughing-In" section for the recommended fastener locations.
- Position the bottom lip of the attachment clip under the edge of the bath at the side of the stud, as shown.
- Slide the attachment clip into place between the center of the stud and the bath.
- Bend the tab of the attachment clip over the bath flange with a pliers.

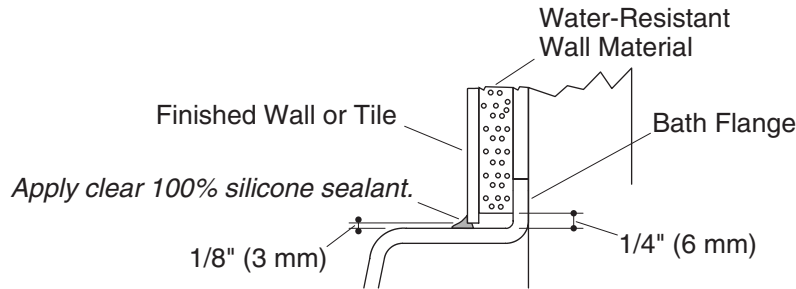
NOTE: Install either large-head roofing nails or flat head screws to secure the attachment clips to the studs. If hammering a nail, use caution in order to avoid hitting the bath.

- Install the attachment clip with a flathead screw or nail.

To secure with roofing nails:

⚠ CAUTION: Risk of property and product damage. Install the nail or screw above the bath flange. **Do not nail or drill through the bath flange**, as this could crack the flange and cause leaks.

- Refer to the diagram in the "Roughing-In" section for the recommended fastener locations.
- Install the flathead roofing nails or other large-head fasteners at all of the fastener locations indicated. Install more if desired.



Bath with Water-Resistant Wall Material and Finished Wall or Tile

8. Install the Finished Wall

For Bath Only Installations

NOTE: When applying water-resistant wall material over the bath flanges, maintain a 1/4" (6 mm) gap between the bath surface and water-resistant wall material as shown in the illustration. This gap serves as a contact barrier if water should ever seep behind the applied sealant.

- Brush all dust and debris from the bath flange.
- Cover the remaining flanges around the bath with water-resistant wall material. Maintain a 1/4" (6 mm) gap between the bath surface and bottom edge of the wall material.
- Install the finished wall or tile over the water-resistant wall material. Maintain a 1/8" (3 mm) gap between the finished wall material and the bath surface.
- Seal the 1/8" (3 mm) gap between the bath surface and finished wall with clear 100% silicone sealant. Allow the sealant to set according to the manufacturer's recommendations.

9. Finish the Installation

IMPORTANT! Risk of property damage. Make sure that a watertight seal has formed around the drain and overflow.

IMPORTANT! Risk of product or property damage. When installing accessories, follow the manufacturers' instructions. Improperly installed accessories could cause leaks, and may void the warranty.

- Connect the drain to the trap according to the drain manufacturer's instructions.
- Install the faucet trim, bath spout, shower door, and any accessories according to each manufacturer's instructions.
- Remove the protective covering from the bath.

Guide d'installation

Baignoires

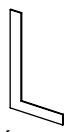
Outils et matériels



Mètre ruban



Crayon à papier



Équerre



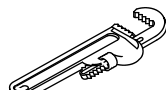
Marteau

Plus:

- Outils conventionnels de menuiserie et matériels
- Bâche de protection
- Adhésif de construction (optionnel)
- Ciment ou mortier (optionnel)
- 2 x 4 or 2 x 6
- Coupe-tubes
- Clous pour toiture à large tête ou des vis à tête plate non coniques



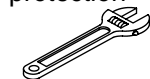
Lunettes de protection



Clé à tubes



Niveau à bulle



Clé à molette



Pincés



Perceuse



Mastic à la silicone claire à 100%

Merci d'avoir choisi Sterling

Nous apprécions votre engagement envers la qualité Sterling. Veuillez prendre s'il vous plaît quelques minutes pour lire ce manuel avant de commencer l'installation. Ne pas hésiter pas à nous contacter en cas de problème d'installation ou de fonctionnement. Nos numéros de téléphone sont indiqués au verso. Merci encore d'avoir choisi Sterling.

Avant de commencer



ATTENTION : Risque d'endommagement du produit. Ne pas percer ou installer une fixation dans la bride de la baignoire lors de la fixation de la baignoire aux montants du mur. La baignoire pourrait avoir une fuite si la bride est percée de quelque façon que ce soit.



ATTENTION : Risque d'endommagement du matériel. Ne pas appliquer de mastic à la silicone claire à 100% à la baignoire à moins d'en être instruit. Si appliqué incorrectement, le mastic pourrait retenir de l'humidité et causer des fuites, ou de la moisissure.

IMPORTANT ! Risque d'endommagement du produit. Ne pas installer la baignoire sur des charpentes exposées de sol brut. L'espace du bassin ne nécessite pas de support additionnel lorsque le plancher est nivelé et d'équerre avec les montants du cadre.

IMPORTANT ! Risque d'endommagement du produit. Les unités de baignoire expédiées dans un seul carton ont déjà des renforts installés. Les unités de baignoire expédiées dans plusieurs cartons peuvent nécessiter des renforts connectés **avant** de retirer des cartons d'expédition.

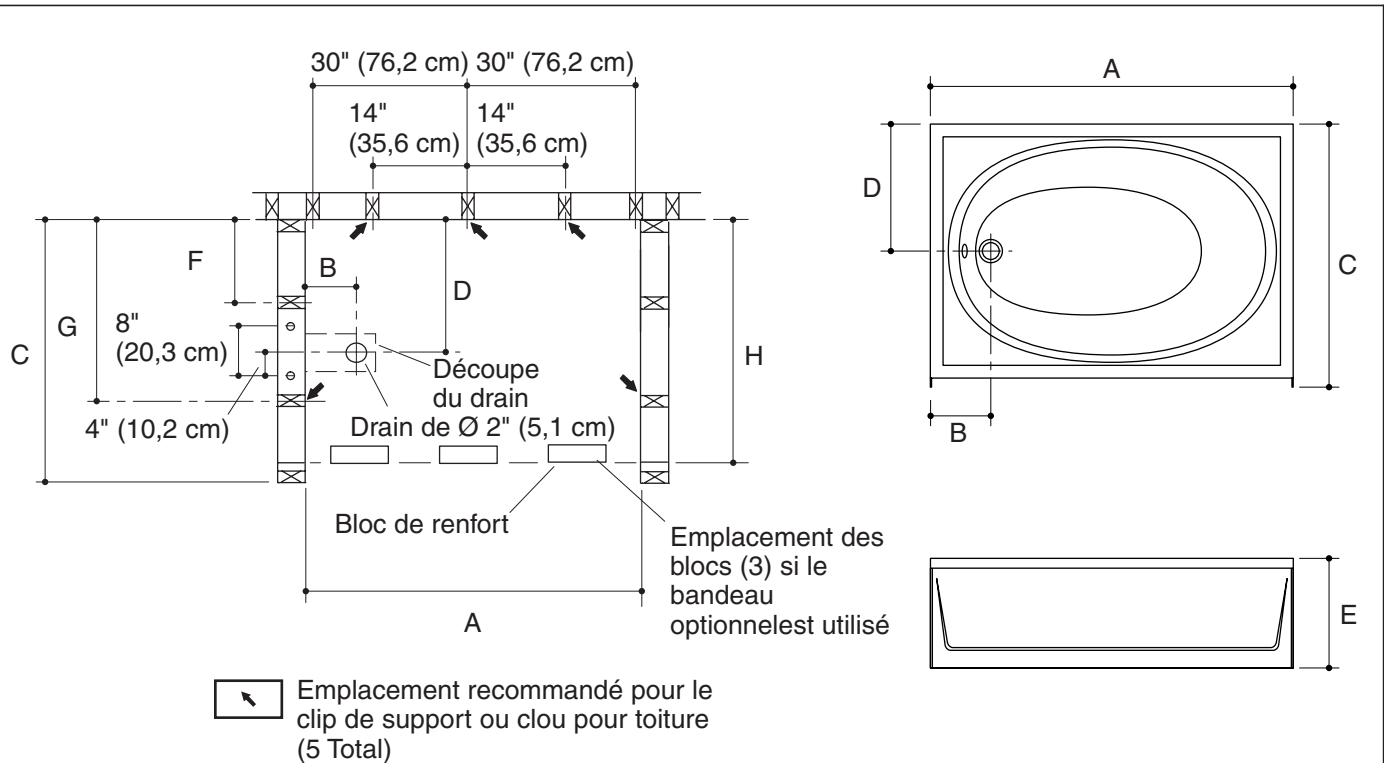
IMPORTANT ! Afin d'éviter des dommages, appliquer du mastic à la silicone claire à 100% à la jointure des murs et de la baignoire, et le long du rebord inférieur du bandeau.

REMARQUE : Installer la baignoire sur un plancher correctement supporté et nivelé. Utiliser des cales pour un support additionnel si le plancher est irrégulier.

Avant de commencer (cont.)

REMARQUE : N'utiliser que du mastic à la silicone claire à 100%. Du latex, mastic, ou mastics d'étanchéité au latex à la silicone pourraient ne pas procurer la résistance à l'eau et à la moisissure sur la durée de vie du produit.

- Veuillez lire toutes les instructions avant de commencer l'installation.
- Respecter tous les codes locaux applicables de plomberie et de bâtiment.
- Cette baignoire est conçue pour des installations en alcôve.
- Dans le cas d'une rénovation, mesurer l'espace existant avant de retirer l'ancienne baignoire pour s'assurer que la nouvelle baignoire s'ajustera. S'assurer que le drain soit en position correcte.
- S'assurer qu'il y ait un espace adéquat de connexion pour l'alimentation d'eau et l'installation de drain.
- Vérifier les pièces manquantes ou les dommages à la baignoire. Reporter immédiatement toute pièce manquante ou tout endommagement.



Les diagrammes montrés sont à titre représentatif et pour utilisation avec le tableau uniquement. L'appareil peut apparaître différent des illustrations.

Plan de raccordement

	A	B	C	D	E	F	G	H
61050100	60" (152,4 cm)	10" (25,4 cm)	43-1/2" (110,5 cm)	21" (53,3 cm)	18-1/8" (46 cm)	13" (33 cm)	29" (73,7 cm)	41-3/16" (104,6 cm)

IMPORTANT ! Les dimensions fournies dans le plan du raccordement sont critiques pour une bonne installation. Construire le cadre et la plomberie avec exactitude.

IMPORTANT ! Toutes les dimensions sont nominales. La tolérance d'ouverture du montant est de plus 1/8" (3 mm) et moins 0.

REMARQUE : Si un mur résistant au feu est requis, augmenter les dimensions de raccordement par l'épaisseur de son matériau. Mesurer les dimensions d'ouverture du montant vers le côté exposé du matériau du mur.

REMARQUE : Si cette baignoire est installée sur un mur en maçonnerie, prévoir les connexions de la plomberie. Construire un mur séparé à un minimum de 6" (15,2 cm) du mur de maçonnerie.

Positionner la baignoire pour un dégagement de drainage dans les charpentes exposées ou dalles, et pour une installation de plomberie accommodée.

Positionner les montants tel qu'illustré pour l'installation des clips d'attache et des raccords de plomberie.

La baignoire avec bandeau peut être installée en alcôve directement sur les montants du cadre et installés sur un panneau de revêtement ou tout autre matériau hydrorésistant. Lors de l'installation sur un panneau de revêtement ou un autre matériau hydrorésistant, augmenter les dimensions du cadrage pour accommoder l'épaisseur du matériau. La baignoire sans bandeau peut être installée dans une découpe dans le sol (encastrée) ou sur podium.

Pour les baignoires avec murs avoisinants, ne pas installer d'accessoires exigeant un renfort ou support. Une telle installation pourrait annuler la garantie.

Plan de raccordement (cont.)

Installer un panneau d'accès à l'extrémité du drain de la baignoire. Le panneau d'accès n'est pas montré.

En cas d'installation de cette baignoire avec porte de douche, se référer aux instructions du fabricant de la porte de douche pour toutes considérations particulières du cadrage.

1. Construire le cadrage

Installer le cadrage

REMARQUE : Se référer à la section "plan de raccordement" pour les dimensions.

- Installer le plancher si nécessaire.
- Construire un cadrage de montant de 2x4 pour votre installation particulière selon la section "Guide de raccordement".
- S'assurer que le cadrage de chaque montant soit d'aplomb et d'équerre à 1/8" (3 mm). Caler si nécessaires afin de se conformer aux tolérances.

Construire le sol

IMPORTANT ! Construire le sol en contreplaqué. Si la baignoire est installée sur du matériau autre que du contreplaqué, de la friction pourrait causer un grincement au fil du temps.

IMPORTANT ! S'assurer que le coussinet est proprement positionné de manière à ce que chaque point de contact du plancher de baignoire ait un coussinet entre la baignoire et le plancher.

- Placer le coussinet fourni entre la baignoire et le plancher, positionné de manière à ce que chaque point de contact du plancher de baignoire ait un coussinet entre la baignoire et le plancher.
- Découper un trou dans le sol pour le drain.
- S'assurer que le sol soit plat et nivelé. Si le plancher n'est pas nivelé, procéder à la section "Niveler le sol".

IMPORTANT ! Des grincements peuvent avoir lieu si la baignoire est installée sur un plancher autre que contreplaqué. Pour éviter les grincements, placer un patin entre la baignoire et le plancher. Le matériau recommandé du patin est un polyester filé pour jardinage ou matériau de couverture de maison. Ne pas utiliser de goudron à cet effet.

Niveler le sol (si besoin)

REMARQUE : Utiliser du ciment ou mortier pour cette application. Du plâtre ou un mélange pour cloison sèche ne fourniront pas de support adéquat.

REMARQUE : Les supports de la baignoire doivent reposer directement sur un sol nivelé.

- Construire une digue pour maintenir le matériau du sol dans la zone désirée. S'assurer de faire de même pour le drain.
- Étendre une couche de ciment ou de mortier sur le plancher à l'endroit de repos des supports de la baignoire.
- Permettre au ciment ou mortier de prendre.
- Retirer la digue.

Installer la lambourde du plancher

- Découper trois lambourdes de 2x4 pour les ajuster dans l'emplacement du cadre. La lambourde arrière doit être de 60" (152,4 cm) de long. Les lambourdes extrêmes doit s'étendre de 39-3/4" (101 cm) de la lambourde arrière. Ajuster ces dimensions correctement si un biseautage a lieu aux extrémités.

Construire le cadrage (cont.)

- Installer les lambourdes dans l'alcôve pas plus haut que 16-1/2" (41,9 cm) au-dessus du plancher. S'assurer que la lambourde soit nivelée avant de la fixer.

REMARQUE : Les clous doivent pénétrer les montants du cadrage d'un minimum de 1" (2,5 cm).

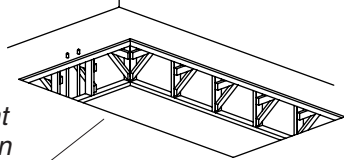
- Fixer les lambourdes avec deux clous par montant.

Cadrer le sol selon l'instruction du plan de raccordement.

Construire un cadre avec des montants de 2 x 4 ou de 2 x 6 suivant l'instruction du plan de raccordement.

Laisser un dégagement de 1/16" (2 mm) entre le rebord de la baignoire et le cadre.

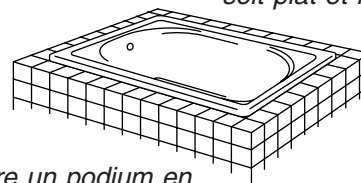
Vérifier que le sous-plancher offre un support adéquat et qu'il soit plat et nivelé.



Installation encastrée

Laisser un espace de 1/16" (2 mm) entre le rebord du bassin et le podium.

Vérifier que le sous-plancher offre un support adéquat et qu'il soit plat et nivelé.



Construire un podium en brique ou en béton selon l'illustration du plan de raccordement.

Installation sur podium

2. Construire le cadrage encastré/podium

La baignoire pourrait être encastrée ou installée sur un podium.

Une installation encastrée requiert une découpe du sol avec support aux quatre côtés. Une charpente et un plancher doivent être ajoutés sous le comptoir. Le comptoir devrait être positionné de manière à ce que la baignoire soit supportée à la fois par la charpente et le plancher.

Une installation sur podium requiert un encadrement à quatre côtés typiquement construit en brique ou béton. Le sol sur lequel l'encadrement repose, supporte la baignoire. L'encadrement positionne seulement la baignoire.

REMARQUE : S'assurer de fournir un support de sol adéquat. La capacité d'eau de la baignoire est de 56 gallons (212 litres).

Pour des installations encastrées



ATTENTION : Risque d'endommagement du produit. Ne pas soulever la baignoire par le rebord.

- Disposer et découper soigneusement le matériau du comptoir brut. Employer le gabarit de découpe s'il est fourni, ou se référer au diagramme applicable de la section "Plan de de raccordement".
- Permettre un espace pour l'installation de l'ensemble du drain et de la tuyauterie d'alimentation d'eau.
- Construire un panneau d'accès à l'extrémité de plomberie de l'appareil sanitaire.

REMARQUE : Le plancher ne doit pas être plus bas que 16-1/2" (41,9 cm) sous le comptoir. L'installation du plancher devrait permettre un espace de 1/16" (2 mm) pour l'étanchéité entre le comptoir et le rebord inférieur de la baignoire vide.

- Construire un cadre en plancher contreplaqué de 2x4 ou 2x6 sous le comptoir.
- Vérifiez que le sol soit plat et de niveau.

Pour les installations sur podium



ATTENTION : Risque d'endommagement du produit. Ne pas soulever la baignoire par le rebord.

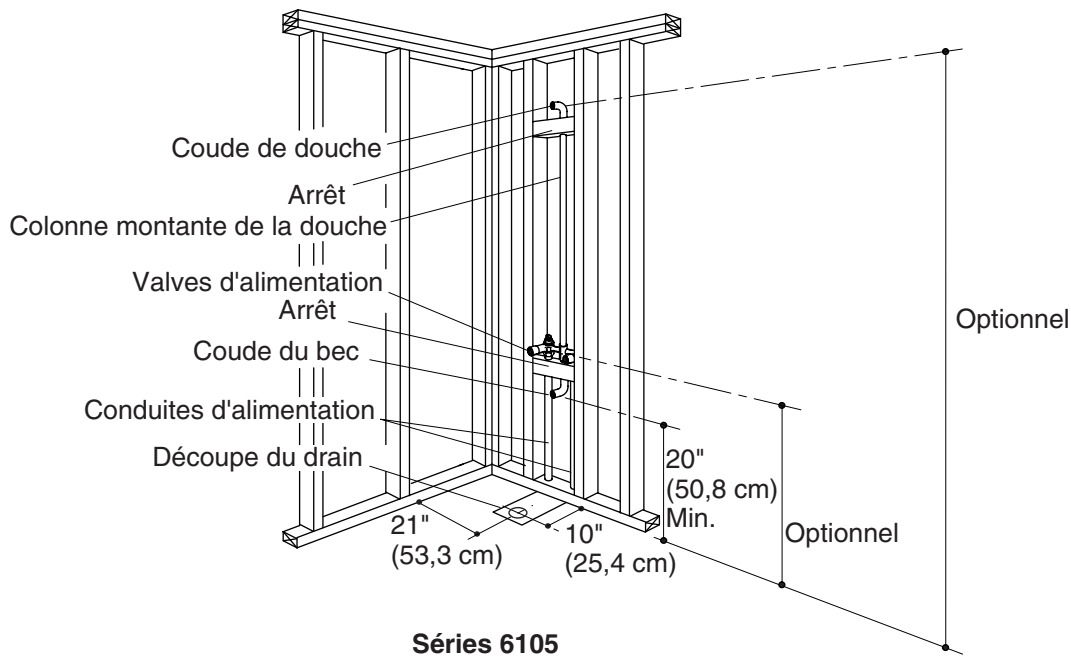
- Exposer avec précaution le travail de maçonnerie. Considérer si le carrelage fini sera à égalité avec la baignoire ou installé sous le rebord.
- S'assurer que le plancher soit plat et nivelé.
- Permettre un espace pour l'installation de l'ensemble du drain et de la tuyauterie d'alimentation d'eau.

Construire le cadrage encastré/podium (cont.)

- Construire un panneau d'accès à l'extrémité de plomberie de l'appareil sanitaire.

REMARQUE : Le plancher ne doit pas être plus bas que 16-1/2" (41,9 cm) sous le podium en maçonnerie. L'installation du plancher devrait permettre un espace de 1/16" (2 mm) pour l'étanchéité entre le podium et le rebord inférieur de la baignoire vide.

- Construire le podium en brique ou béton.
- Ajouter du carrelage ou autre matériau de finition en laissant un espace de 1/16" (2 mm) pour l'étanchéité entre le podium et le rebord de la baignoire vide.



3. Installer la plomberie de raccordement

REMARQUE : Prévoir un accès à toutes les connexions de la plomberie pour faciliter tout entretien futur.

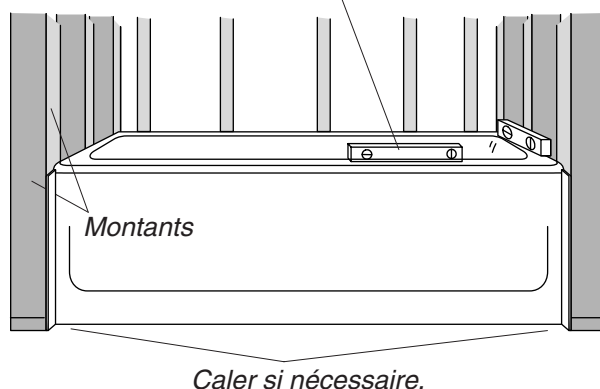
REMARQUE : Le conduit du drain devrait être localisé avant que l'appareil ne soit installé. Le trop-plein et le drain doivent être installés conformément aux instructions du fabricant. Localiser le drain et le siphon en utilisant les dimensions données dans la section "Plan de raccordement" de ce guide.

- Localiser la plomberie de raccordement pour le drain selon les dimensions du plan de raccordement.

REMARQUE : Si la plomberie doit être installée sur la mur du montant non fini, installer les alimentations **après** que la baignoire soit installée.

- Positionner la plomberie selon l'information du plan du raccordement. Boucher les alimentations et vérifier s'il y a des fuites.
- Attacher les connexions d'alimentation d'eau au cadrage du montant.
- Prévoir un accès à l'arrière du mur de la plomberie pour l'entretien de la tuyauterie d'alimentation et d'évacuation, si possible.
- Installer la robinetterie de la douche conformément aux instructions du fabricant. Ne pas installer la bague à ce moment.

Vérifiez que la baignoire est nivelée.



4. Positionner la baignoire – Installations en alcôve

IMPORTANT ! Risque d'endommagement du produit. Ne pas soulever ni déplacer la baignoire par le bandeau ou des montants du bandeau. Soulever la baignoire par le rebord à de multiples points.

- Installer le drain et le trop-plein conformément aux instructions du fabricant. Ne pas connecter le siphon à ce moment.

IMPORTANT ! Risque d'endommagement du produit. Vérifier que montants du bandeau sont attachés avant d'installer la baignoire.

- Positionner le coussinet fourni sous les supports de baignoire.
- Positionner et ajuster la baignoire jusqu'à ce que le rebord extérieur soit égal aux murs finis.
- Vérifier que la baignoire soit nivelée et bien supportée par le sol. Dans le cas échéant, caler la baignoire en utilisant du métal, bois massif, ou autre matériau durable.
- Repositionner et caler la baignoire jusqu'à ce qu'elle soit alignée et nivelée avec le mur fini.

Installer un lit de mortier (Optionnel)

- Retirer la baignoire et le coussinet.

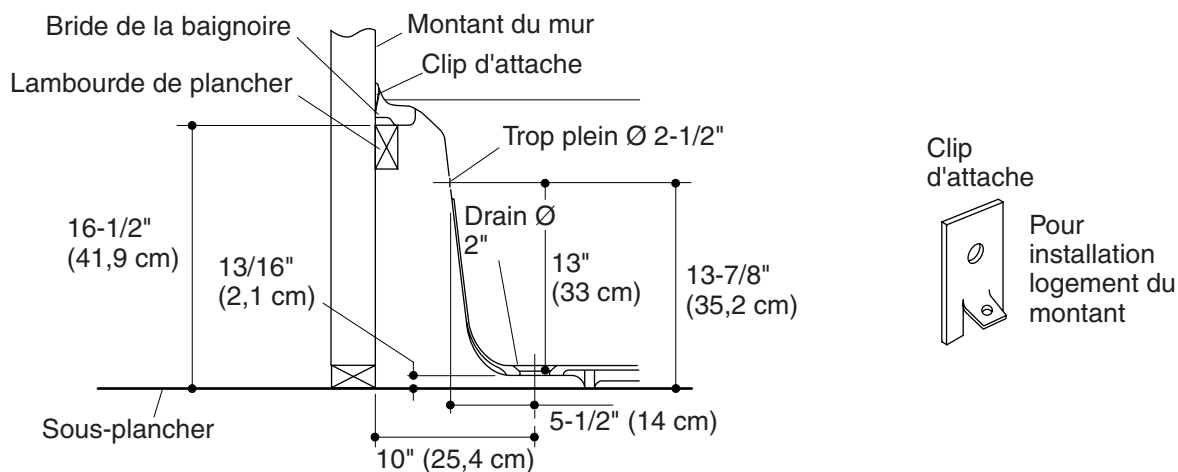
REMARQUE : Ne pas utiliser de plâtre dur ou de pâte à joint pour cette application car ces produits ne procurent pas de support adéquat.

REMARQUE : Les blocs de renfort de la baignoire doivent s'appuyer directement sur le sol brut.

- Construire une digue pour garder le matériau de sol à l'écart de l'emplacement du drain.
- Étaler une couche de mortier de 2" (5,1 cm) sur le plancher, de manière à ce que la baignoire soit en contact avec le plancher à mortier. Laisser de l'espace au mortier pour s'étendre par le poids de la baignoire.
- Permettre au mortier de prendre.
- Retirer les digues.
- Mettre la baignoire à sa place.
- S'assurer que la baignoire soit nivelée et qu'elle repose sur tous les supports.

5. Positionner la baignoire – Installations encastrées/sur podium

- Laisser la doublure de protection dans la baignoire pour éviter toutes rayures pendant l'installation. Si l'enveloppe de protection n'est pas disponible, ajouter une bâche ou autre enveloppe de protection.
- Installer les raccord du drain et du trop plein à la baignoire selon les instructions du fabricant qui accompagnent le produit. Ne pas connecter le siphon à ce moment.
- Positionner la baignoire dans la cavité.
- Vérifier que la baignoire soit nivelée et bien supportée par le sol.
- Si la baignoire n'est pas nivelée ou bien supportée, retirer la baignoire et placer des cales sous les pieds de la baignoire. Utiliser des cales en métal, en bois dur, ou d'un autre matériau durable.
- Positionner la baignoire dans la cavité et revérifier le nivellement. Renouveler l'opération jusqu'à ce que la baignoire soit nivelée.



6. Sécuriser la baignoire au cadre

Pour des installations en alcôve

Installer le bandeau optionnel

- Découper la protection de la baignoire de l'emballage vide et placer dans la baignoire.
- Soulever le bandeau de la base et glisser vers le haut et en position sous le rebord avant de la baignoire.
- Presser la base du bandeau contre les trois blocs du sol (préalablement installés).
- Percer un minimum de deux trous-pilotes de 1/16" (2 mm) dans chacune des brides de bandeau.
- Utiliser des clous de toiture à tête large ou des vis à tête plate pour attacher le bandeau aux montants.

Sécuriser la baignoire aux montants

REMARQUE : La baignoire peut être fixée aux montants en utilisant les clips d'attache (fournis) ou des clous à large tête pour toiture.

- Vérifier que les montants sont à 1/8" (3 mm) de la baignoire aux emplacements recommandés du clip ou des clous. Caler si nécessaire.
- S'assurer que les têtes des fixations n'interféreront pas avec l'installation des murs avoisinants ou matériau fini du mur.

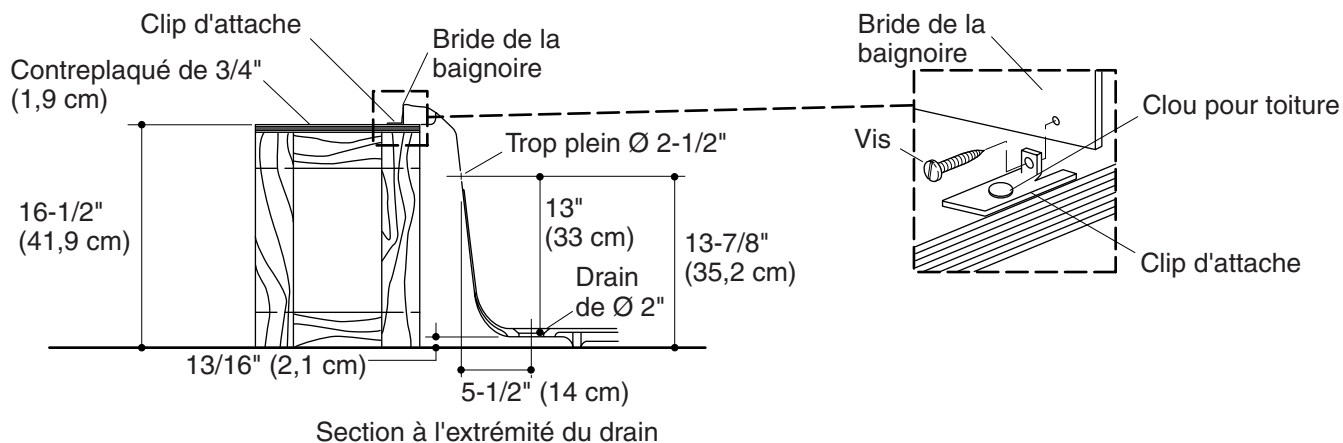
Pour sécuriser les clips d'attache aux montants:

- Se référer à la section "plan de raccordement" pour les emplacements de clip d'attache.
- Positionner la lèvre inférieure du clip d'attache sous la bride de la baignoire tel qu'illustré.
- Glisser le clip d'attache en place entre le centre du montant et de la baignoire.
- Plier la languette du clip d'attache sur la bride de la baignoire avec des pinces.
- Sécuriser le clip avec un clou pour toiture à large tête ou une vis à tête plate non-conique.

Pour sécuriser les clous de toiture à large tête aux montants:

IMPORTANT ! Installer les clous de toiture à large tête directement sous la bride de baignoire à chaque emplacement de montant. **Ne pas clouer ni percer dans la bride de baignoire.**

- Installer les clous de manière à ce que leurs têtes sécurisent la bride de baignoire sans l'endommager et n'interfère pas avec l'installation du matériau du mur restant.



7. Sécuriser la baignoire au comptoir/alcôve

Pour des installations encastrées/sur podium

- S'assurer qu'il y a une bâche ou autre enveloppe de protection dans la baignoire.
- La baignoire peut être fixée en utilisant les clips d'attache (fournis) ou des clous à large tête pour toiture.
- Vérifier que les montants sont à 1/8" (3 mm) de la baignoire aux emplacements recommandés du clip ou des clous. Caler si nécessaire.

Pour sécuriser avec des clips d'attache:

- Se référer au diagramme de la section "Plan de raccordement" pour les emplacements recommandés de la fixation.
- Positionner le rebord inférieur du clip d'attache sous le rebord de la baignoire du côté du montant, tel qu'illustré.
- Glisser le clip d'attache en place entre le centre du montant et de la baignoire.
- Plier la languette du clip d'attache sur la bride de la baignoire avec des pinces.

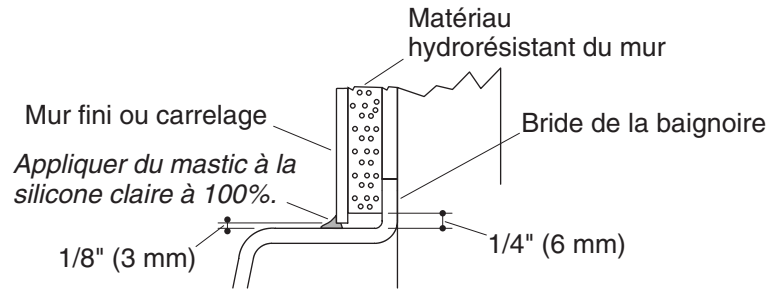
REMARQUE : Installer des clous de toiture à tête large ou des vis à tête plate pour sécuriser les clips d'attache aux montants. Dans le cas d'utilisation d'un marteau pour clouer, faire attention de ne pas cogner la baignoire.

- Installer le clip d'attache avec une vis à tête plate ou un clou.

Pour sécuriser avec des clous pour toiture:

⚠ ATTENTION : Risque d'endommagement de la propriété et du produit. Installer le clou ou la vis au-dessus de la bride de la baignoire. **Ne pas clouer ni percer dans la bride de baignoire**, car ceci risquerait de craquer la bride et de causer des fuites.

- Se référer au diagramme de la section "Plan de raccordement" pour les emplacements recommandés de la fixation.
- Installer les clous pour toiture à tête plate ou autres fixations à larges têtes à tous les emplacements de fixation indiqués. En installer plus si désiré.



Baignoire avec matériau hydro-résistant du mur et mur fini ou carrelage

8. Installer le mur fini

Installation pour baignoire uniquement

REMARQUE : Lors de l'application du matériau hydro-résistant sur les brides de baignoire, maintenir un espace de 1/4" (6 mm) entre la surface de la baignoire et le matériau hydro-résistant du mur tel qu'illustré. Cet espace sert de barrière de contact au cas où l'eau s'infiltrerait derrière le joint appliqué.

- Brosser tous débris de la bride de la baignoire.
- Couvrir les brides restantes autour de la baignoire avec du matériau hydro-résistant. Maintenir un espace de 1/4" (6 mm) entre la surface de la baignoire et le rebord inférieur du matériau du mur.
- Installer le mur fini ou le carrelage sur le matériau hydro-résistant du mur. Maintenir un espace de 1/8" (3 mm) entre le matériau du mur fini et la surface de la baignoire.
- Sceller un espace de 1/8" (3 mm) entre la surface de la baignoire et le matériau du mur fini avec du mastic à la silicone claire à 100%. Laisser prendre le mastic selon les recommandations du fabricant.

9. Compléter l'installation

IMPORTANT ! Risque d'endommagement du matériel. S'assurer qu'un joint d'étanchéité soit formé autour du drain et du trop plein.

IMPORTANT ! Risque d'endommagement du produit. Lors de l'installation des accessoires, suivre les instructions du fabricant. Les accessoires non-installés correctement pourraient causer des fuites et annuler la garantie.

- Connecter le drain au siphon selon les instructions du fabricant.
- Installer la garniture du robinet, bec de baignoire, la porte de douche, et tout accessoire selon les instructions du fabricant.
- Retirer la pellicule protectrice couvrant la baignoire.

Guía de instalación

Bañeras

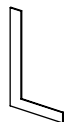
Herramientas y materiales



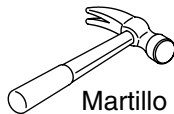
Cinta para medir



Lápiz



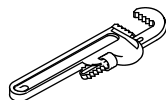
Escuadra



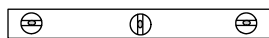
Martillo



Lentes de seguridad



Llave para tubo



Nivel



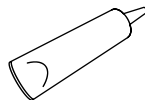
Llave ajustable



Pinzas



Taladro



Sellador 100% de silicona transparente

Más:

- Herramientas y materiales convencionales de carpintería
- Lona
- Adhesivo de construcción (opcional)
- Cemento o mortero (opcional)
- Listones de 2x4 ó 2x6
- Cortatubos
- Clavos de techar de cabeza grande o tornillos de cabeza plana no cónica

Gracias por elegir los productos de Sterling

Le agradecemos que haya elegido a Sterling por la calidad que ofrece al mejor precio. Dedique unos minutos para leer este manual antes de comenzar la instalación. En caso de problemas de instalación o de funcionamiento, no dude en contactarnos. Nuestros números de teléfono se encuentran en la cubierta posterior. Gracias nuevamente por escoger a Sterling.

Antes de comenzar



PRECAUCIÓN: Riesgo de daños al producto o a la propiedad. No taladre ni instale un herraje a través del reborde de la bañera al fijar la bañera a las paredes de postes de madera. La bañera puede presentar fugas si de alguna manera se hacen hoyos en el reborde de la bañera.



PRECAUCIÓN: Riesgo de daños a la propiedad. No aplique sellador 100% de silicona transparente a la bañera a menos que se le indique. Si el sellador se aplica incorrectamente, puede atrapar humedad y causar fugas y moho.

¡IMPORTANTE! Riesgo de daños al producto. No instale la bañera sobre vigas expuestas en el suelo. El área del fondo no requiere ningún soporte adicional siempre que el subpiso esté nivelado y a escuadra con la estructura de postes.

¡IMPORTANTE! Riesgo de daños al producto. Las bañeras embaladas en una sola caja de cartón ya tienen instalados los refuerzos. Las bañeras embaladas en múltiples cajas de cartón pueden requerir conectar los refuerzos **antes** de sacar de las cajas de envío.

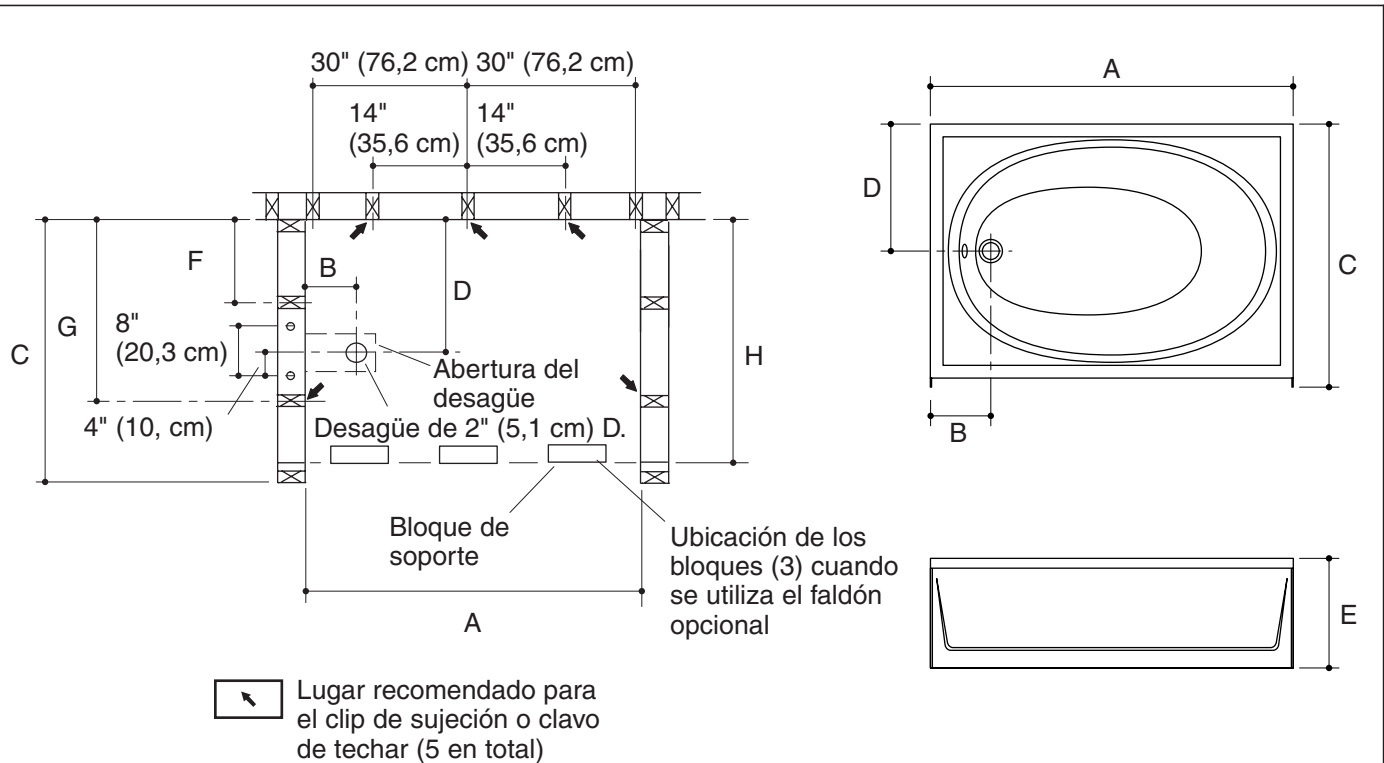
¡IMPORTANTE! Para evitar daños causados por el agua, aplique sellador 100% de silicona transparente donde las paredes se unen con la bañera y a lo largo del filo inferior del faldón.

NOTA: Instale la bañera sobre un subpiso nivelado y con suficiente soporte. Utilice cuñas como soporte adicional, en caso de que el subpiso esté disparejo.

NOTA: Sólo utilice sellador 100% de silicona transparente. Los selladores de látex, no de silicona o látex siliconado pueden no proporcionar resistencia al agua y al moho durante la vida útil del producto.

Antes de comenzar (cont.)

- Lea todas las instrucciones antes de comenzar.
- Cumpla con todos los códigos pertinentes de plomería y de construcción.
- Esta bañera está diseñada para instalarse encajonada entre tres paredes.
- En caso de remodelación, mida la estructura de postes de madera existente antes de desinstalar la bañera vieja para asegurarse de que la nueva entrará bien. Verifique que el desagüe esté en el lugar correcto.
- Confirme que el espacio de montaje y conexión sea adecuado para la instalación del suministro de agua y desagüe.
- Verifique que no falten piezas y que la bañera no presente daños. Reporte inmediatamente los daños o piezas faltantes.



Los diagramas ilustrados son representativos y sólo deben utilizarse con la tabla. Su producto puede diferir de las ilustraciones.

Diagrama de instalación

	A	B	C	D	E	F	G	H
61050100	60" (152,4 cm)	10" (25,4 cm)	43-1/2" (110,5 cm)	21" (53,3 cm)	18-1/8" (46 cm)	13" (33 cm)	29" (73,7 cm)	41-3/16" (104,6 cm)

¡IMPORTANTE! Las dimensiones proporcionadas en el diagrama de instalación son críticas para una correcta instalación. Construya la estructura y coloque las tuberías con precisión.

¡IMPORTANTE! Todas las dimensiones son nominales. La tolerancia de abertura entre los postes es 1/8" (3 mm) y menos 0.

NOTA: Si es necesario una pared resistente al fuego, aumente las dimensiones del diagrama de instalación de acuerdo al espesor del material. Mida las dimensiones de abertura entre los postes hacia el lado expuesto del material de la pared.

NOTA: Si va a instalar esta bañera junto a una pared de mampostería, planifique las conexiones de plomería. Construya una pared de estructura separada, al menos a 6" (15,2 cm) de la pared de mampostería.

Coloque la bañera de manera que haya espacio para el desagüe a través de las losas o vigas del piso y para facilitar la instalación de plomería.

Coloque los postes de madera como se muestra para instalar los clips de sujeción y las conexiones de plomería.

La bañera con faldón se puede instalar encajonada entre tres paredes directamente en la estructura de postes de madera y paneles de yeso u otro material resistente al agua. Cuando se instale sobre paneles de yeso u otro material de pared resistente al agua, aumente las dimensiones de la estructura de madera según el espesor del material. La bañera sin faldón se puede instalar en una abertura en el piso (de sobreponer) o en un área elevada (isla).

Diagrama de instalación (cont.)

Para bañeras con paredes circundantes, no instale accesorios que requieran un refuerzo o soporte. Dicha instalación podría anular la garantía.

Instale un panel de acceso en el lado de la bañera que tiene el desagüe. El panel de acceso no se ilustra.

En caso de instalar una puerta de ducha con esta bañera, consulte las instrucciones de instalación del fabricante de la puerta para cualquier consideración especial de la estructura de postes de madera.

1. Construya la estructura de postes de madera

Instale la estructura de postes de madera

NOTA: Consulte la sección del diagrama de instalación para obtener las dimensiones.

- Instale el subpiso, si es necesario.
- Construya una estructura de postes de madera de 2x4 para su instalación en particular siguiendo la sección del diagrama de instalación.
- Asegúrese de que los postes de la estructura estén verticales y a escuadra con una tolerancia de 1/8" (3 mm). Coloque cuñas según sea necesario para satisfacer las tolerancias.

Construya el piso

¡IMPORTANTE! Construya el piso de madera contrachapada. Si la bañera se instala sobre material que no sea madera contrachapada, con el tiempo la fricción podría causar rechinidos.

¡IMPORTANTE! Asegúrese de colocar correctamente el protector de fieltro de manera que todos los puntos de contacto entre la bañera y el subpiso tengan fieltro.

- Coloque el protector de fieltro provisto entre la bañera y el subpiso, de manera que todos los puntos de contacto entre la bañera y el subpiso tengan fieltro.
- Perfore un orificio en el piso para el desagüe.
- Verifique que el subpiso esté plano y nivelado. Si el subpiso no está nivelado, continúe en la subsección "Nivele el piso".

¡IMPORTANTE! Si la bañera se instala en un subpiso que no sea de madera contrachapada, es posible que con el tiempo se produzcan rechinidos. Para evitar rechinidos coloque un material acolchado entre la bañera y el subpiso. El material acolchado recomendado es una lona de hilo de poliéster encolado utilizada para jardinería o material de protección del hogar de hilo encolado. No utilice fieltro para tejado.

Nivele el piso (si es necesario)

NOTA: Utilice cemento o mortero para esta aplicación. El cemento de yeso o compuesto para paneles de yeso no proporcionará el soporte adecuado.

NOTA: Los soportes de la bañera deben apoyarse directamente sobre un subpiso nivelado.

- Construya una barrera que mantenga el material de revestimiento del piso en el área deseada. Asegúrese de contener con barrera el área de desagüe.
- Aplique y nivele una capa de cemento o mortero en el subpiso donde se colocarán los soportes de la bañera.
- Deje secar el cemento o mortero.
- Retire la barrera.

Instale el larguero

Construya la estructura de postes de madera (cont.)

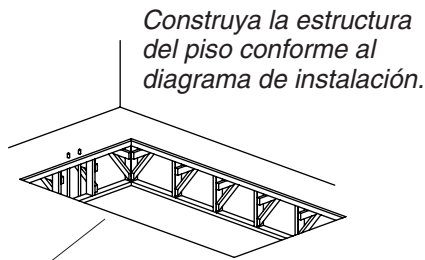
- Corte tres largueros a partir de listones de 2x4 para quepan en el encajonado de postes de madera. El larguero posterior debe tener 60" (152,4 cm) de largo. Los largueros laterales deben sobresalir 39-3/4" (101 cm) del larguero posterior. Ajuste estas dimensiones según corresponda si los extremos quedarán biselados.
- Instale los largueros en el encajonado entre tres paredes a 16-1/2" (41,9 cm) arriba del piso nivelado como máximo. Asegúrese de que el larguero esté nivelado antes de fijarlo en su lugar.

NOTA: Los clavos deben penetrar una profundidad mínima de 1" (2,5 cm) en los postes de la estructura.

- Fije los largueros con dos clavos en cada poste.

Construya una estructura de postes de 2x4 ó 2x6, conforme al diagrama de instalación.

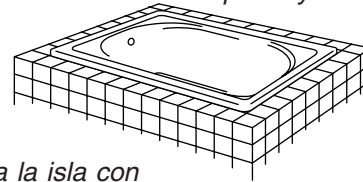
Provea una separación de 1/16" (2 mm) entre el borde de la bañera y la estructura de postes de madera.



Verifique que el subpiso proporcione suficiente soporte y que esté plano y nivelado.

Instalación de sobreponer

Provea una separación de 1/16" (2 mm) entre el borde de la bañera y la isla.



Construya la isla con ladrillos o concreto según el diagrama de instalación.

Instalación en isla

Verifique que el subpiso proporcione suficiente soporte y que esté plano y nivelado.

2. Construya la estructura de postes de madera de sobreponer o en isla

Esta bañera puede montarse en una instalación de sobreponer o en isla.

La instalación de sobreponer requiere una abertura en el piso con cubierta en los cuatros lados. Se debe añadir una estructura de postes de madera y un subpiso debajo de la cubierta. La cubierta ubica la bañera y la estructura de postes de madera y el subpiso dan soporte a la bañera.

La instalación en isla requiere un estructura circundante elevada de cuatro lados, generalmente construida de ladrillos o concreto. El piso sobre el cual descansa la estructura circundante elevada, sirve de soporte a la bañera. La estructura circundante sólo sirve para ubicar la bañera.

NOTA: Asegúrese de proveer suficiente soporte de piso. La bañera tiene una capacidad de agua de 56 galones (212 litros).

Para las instalaciones de sobreponer

PRECAUCIÓN: Riesgo de daños al producto. No apoye la bañera por los bordes.

- Trace y corte con cuidado el material de la cubierta no acabada. Use la plantilla de corte, si se provee, o consulte el diagrama pertinente en la sección "Diagrama de instalación".
- Deje espacio para instalar el montaje del desagüe y las tuberías de suministro de agua.
- Construya un panel de acceso en el lado de la bañera que tiene las conexiones de plomería.

NOTA: El subpiso no debe quedar más abajo de 16-1/2" (41,9 cm) de la cubierta. La instalación del subpiso debe dejar un espacio de 1/16" (2 mm) para el sellador entre la cubierta y el borde inferior de la bañera vacía.

- Construya una estructura de postes de 2x4 ó 2x6 con un subpiso de madera contrachapada por debajo de la cubierta.
- Verifique que el subpiso esté plano y nivelado.

Para las instalaciones en isla

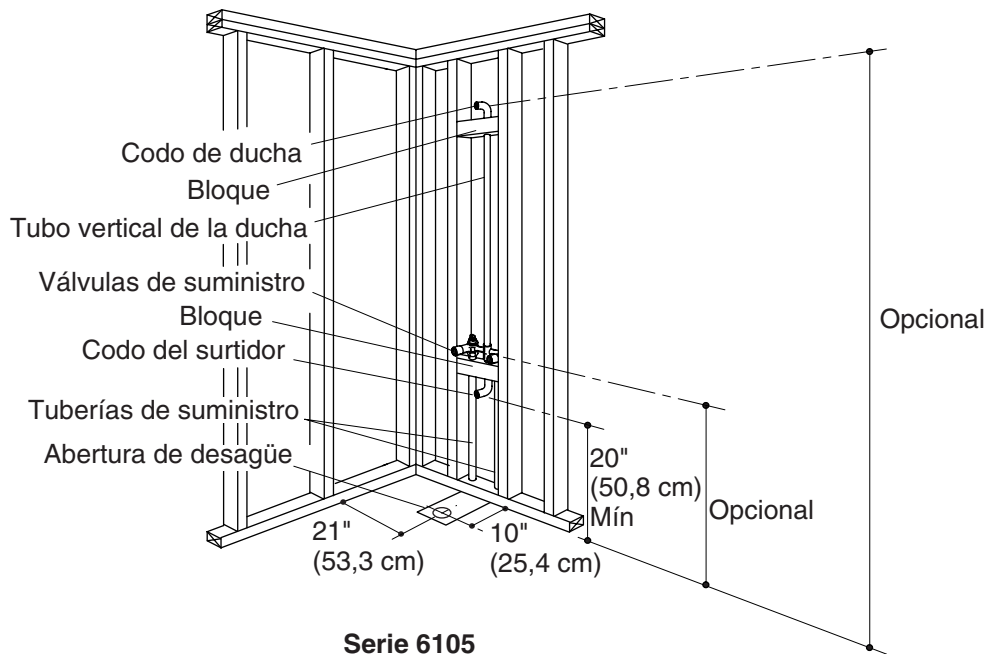
PRECAUCIÓN: Riesgo de daños al producto. No apoye la bañera por los bordes.

- Trace con cuidado la obra de albañilería. Decida si los azulejos de acabado quedarán al ras de la bañera o instalados debajo del borde.
- Verifique que el subpiso esté plano y nivelado.
- Deje espacio para instalar el montaje del desagüe y las tuberías de suministro de agua.
- Construya un panel de acceso en el lado de la bañera que tiene las conexiones de plomería.

Construya la estructura de postes de madera de sobreponer o en isla (cont.)

NOTA: No coloque el subpiso a menos de 16-1/2" (41,9 cm) por debajo de la isla de mampostería. La instalación del subpiso debe dejar un espacio de 1/16" (2 mm) para el sellador entre la isla y el borde inferior de la bañera vacía.

- Construya la isla de ladrillos o concreto.
- Añada azulejos u otro material de acabado, dejando un espacio de 1/16" (2 mm) para el sellador entre la isla y el borde de la bañera.



3. Instale el tendido de tuberías

NOTA: Provea acceso a todas las conexiones de la plomería para facilitar el mantenimiento futuro.

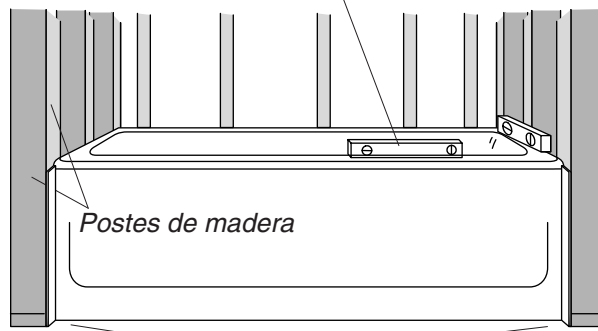
NOTA: La tubería de desagüe debe colocarse antes de instalar la unidad. El rebosadero y el desagüe se deben instalar según las instrucciones del fabricante. Coloque la línea de desagüe y la trampa utilizando las dimensiones provistas en la sección "Diagrama de instalación" en esta guía.

- Sitúe las tuberías de desagüe según las dimensiones del diagrama de instalación.

NOTA: Si las tuberías se van a instalar en la pared de postes no acabada, instale los suministros **después** de instalar la bañera.

- Coloque las tuberías según el diagrama de instalación. Tape los suministros y verifique que no haya fugas.
- Con una abrazadera para tubo, sujete las conexiones del suministro a la estructura de postes de madera.
- Si es posible, provea un acceso en la parte posterior de la pared que lleva las conexiones de plomería para dar servicio a las tuberías de suministro y desagüe.
- Instale las válvulas de la ducha según las instrucciones del fabricante. No instale la guarnición en este momento.

Verifique que la bañera esté a nivel.



Utilice cuñas si es necesario.

4. Coloque la bañera - Instalaciones encajonadas entre tres paredes

¡IMPORTANTE! Riesgo de daños al producto. No levante ni mueva la bañera sosteniéndola por el faldón ni los refuerzos del faldón. Levante la bañera sujetando el borde en múltiples puntos.

- Instale el desagüe y rebosadero según las instrucciones del fabricante del desagüe. Aún no conecte la trampa.

¡IMPORTANTE! Riesgo de daños al producto. Asegúrese de que los refuerzos del faldón estén fijos antes de instalar la bañera.

- Coloque el protector de fieltro provisto debajo de los soportes de la bañera.
- Coloque y ajuste la bañera hasta que el filo exterior quede al ras con las paredes acabadas.
- Compruebe que la bañera esté nivelada y bien apoyada en el piso. Si no, acúñe la bañera con cuñas de metal, madera u otro material duradero.
- Cambie la posición y acúñe la bañera hasta que quede alineada con la pared acabada y a nivel.

Instale una lechada de mortero (opcional)

- Retire la bañera y el protector de fieltro.

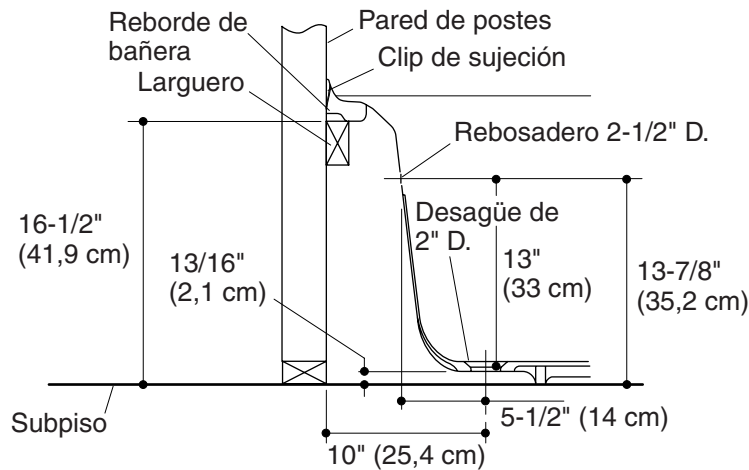
NOTA: No utilice cemento de yeso o pasta para paneles de yeso con esta aplicación, puesto que no proporcionarán el soporte adecuado.

NOTA: Los soportes de la bañera deben descansar directamente sobre el subpiso.

- Construya una barrera para que el revestimiento del piso no cubra la zona de desagüe.
- Aplique una capa de 2" (5,1 cm) de mortero en el subpiso, untando de manera que todas las áreas de la bañera que tendrán contacto con el subpiso tengan mortero. Deje lugar para que el mortero se expanda por el peso de la bañera.
- Deje secar el mortero.
- Retire las barreras.
- Coloque la bañera en su lugar.
- Verifique que la bañera esté nivelada y apoyada sobre todos los soportes.

5. Coloque la bañera - Instalaciones de sobreponer o en isla

- Deje el revestimiento protector en la bañera para evitar rayarla durante la instalación. Si no hay disponible un revestimiento protector, coloque una lona u otro tipo de protector.
- Instale el montaje del desagüe y rebosadero en la bañera según las instrucciones del fabricante del desagüe. Aún no conecte la trampa.
- Coloque la bañera en el encajonado.
- Compruebe que la bañera esté nivelada y bien apoyada en el piso.
- Si la bañera no está a nivel o bien soportada, retire la bañera e instale cuñas debajo de los pies de la bañera. Utilice cuñas de metal, madera noble u otro material resistente.
- Coloque la bañera en el encajonado y vuelva a verificar que esté nivelada. Repita este procedimiento hasta que la bañera esté nivelada.



Clip de sujeción



Para la instalación en el encajonado de postes de postes

6. Fije la bañera a la estructura de postes de madera

Para instalaciones de encajonado entre tres paredes

Instale el faldón opcional

- Recorte el protector de la bañera de la caja vacía y colóquelo en la bañera.
- Levante el faldón por la parte inferior y deslícelo hacia arriba y a su posición debajo del borde delantero de la bañera.
- Empuje la parte inferior del faldón hacia atrás contra los tres bloques del piso (previamente instalados).
- Taladre dos orificios guía de 1/16" (2 mm) como mínimo a través de cada reborde del faldón.
- Utilice clavos grandes de techar o tornillos de cabeza plana para fijar el faldón a los postes.

Fije la bañera a los postes de madera

NOTA: La bañera se puede fijar a los postes de madera utilizando los clips de sujeción (provistos) o clavos de techar de cabeza grande.

- Verifique que los postes de madera estén a 1/8" (3 mm) de la bañera en los lugares recomendados para clips de sujeción. Utilice cuñas de ser necesario.
- Verifique que las cabezas de los herrajes no interfieran con la instalación de las paredes circundantes u otro tipo de material de acabado de la pared.

Para fijar los clips de sujeción a los postes de madera:

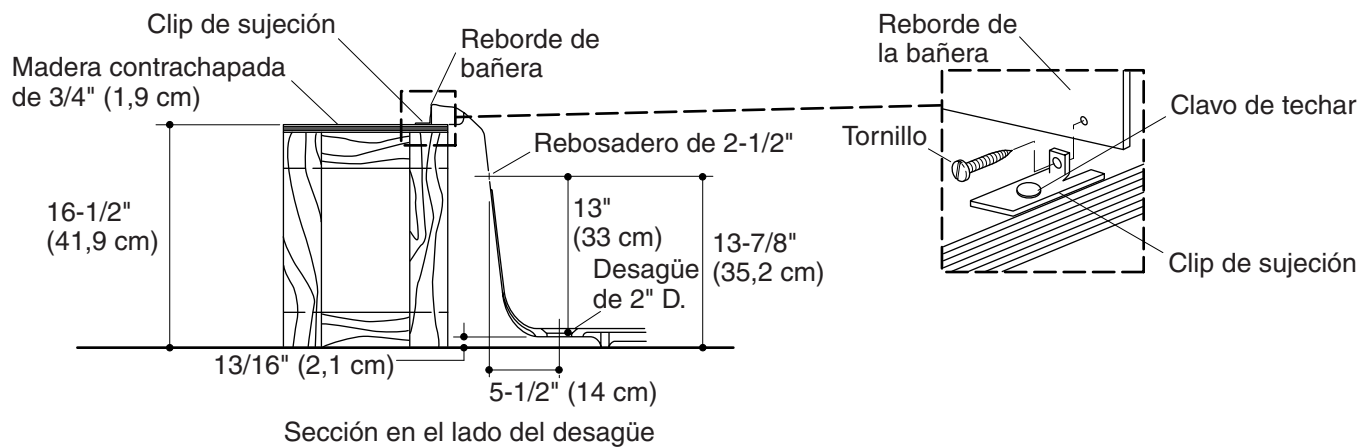
- Consulte la sección del "Diagrama de instalación" para obtener las ubicaciones para los clips de sujeción.
- Coloque el labio inferior del clip de sujeción debajo del reborde de la bañera, como se ilustra.
- Deslice la clip de sujeción en su lugar entre el centro del poste y la bañera.
- Con unas pinzas, doble la lengüeta del clip de sujeción sobre el reborde de la bañera.
- Fije el clip con un clavo de cabeza grande o tornillo de cabeza plana no cónica.

Para fijar los clavos de cabeza grande a los postes de madera:

¡IMPORTANTE! Instale clavos de techar de cabeza grande directamente arriba del reborde de la bañera en los postes de madera. **No clave ni taladre a través del reborde de la bañera.**

Fije la bañera a la estructura de postes de madera (cont.)

- Instale los clavos de manera que las cabezas de los clavos fijen el reborde de la bañera sin dañarlo y no interfieran con la instalación del resto del material de la pared.



7. Fije la bañera a la cubierta o al encajonado entre tres paredes

Para las instalaciones de sobreponer o en isla

- Asegúrese de que haya una lona u otro revestimiento protector en la bañera.
- La bañera se puede fijar con los clips de sujeción (provistos) o clavos de techar de cabeza grande.
- Verifique que los postes de madera estén dentro de 1/8" (3 mm) de la bañera en los lugares recomendados para los clips o clavos. Utilice cuñas de ser necesario.

Para fijar con clips de sujeción:

- Consulte el diagrama en la sección "Diagrama de instalación" para los lugares recomendados para los herrajes.
- Coloque el labio inferior del clip de sujeción debajo del filo de la bañera a un lado del poste de madera, como se muestra.
- Deslice la clip de sujeción en su lugar entre el centro del poste y la bañera.
- Con unas pinzas, doble la lengüeta del clip de sujeción sobre el reborde de la bañera.

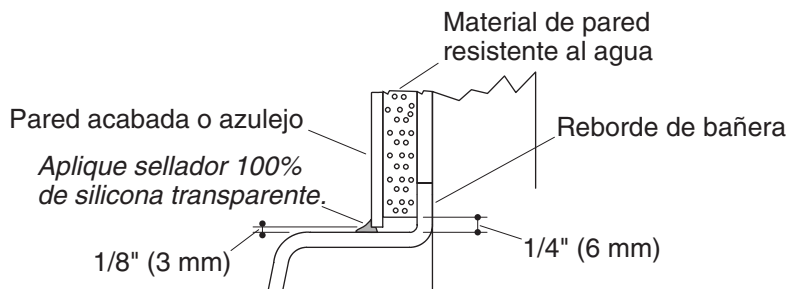
NOTA: Instale clavos de techar de cabeza grande o tornillos de cabeza plana para fijar los clips de sujeción a los postes de madera. Si va a martillar un clavo, tenga cuidado para evitar golpear la bañera.

- Instale el clip de sujeción con un tornillo de cabeza plana o clavo.

Para fijar con clavos de techar:

PRECAUCIÓN: Riesgo de daños al producto y a la propiedad. Instale el clavo o tornillo arriba del reborde de la bañera. **No clave ni taladre a través del reborde de la bañera**, pues se puede fisurar el reborde y causar fugas.

- Consulte el diagrama en la sección "Diagrama de instalación" para los lugares recomendados para los herrajes.
- Instale los clavos de techar de cabeza plana u otros herrajes de cabeza grande en todos los lugares indicados para los herrajes. Instale más si se desea.



Bañera con material de pared resistente al agua y pared acabada o azulejo

8. Instale la pared acabada

Para instalaciones de sólo bañera

NOTA: Al aplicar el material de pared resistente al agua sobre los rebordes de la bañera, mantenga una separación de 1/4" (6 mm) entre la superficie de la bañera y el material de la pared resistente al agua, como se muestra en la ilustración. Esta separación sirve como una barrera de contacto en caso de el agua llegara a entrar detrás del sellador aplicado.

- Limpie el polvo y los residuos del reborde de la bañera.
- Cubra los otros rebordes alrededor de la bañera con el material de pared resistente al agua. Mantenga una separación de 1/4" (6 mm) entre la superficie de la bañera y el filo inferior del material de la pared.
- Instale la pared acabada o azulejos sobre el material de pared resistente al agua. Mantenga una separación de 1/8" (3 mm) entre el material de la pared acabada y la superficie de la bañera.
- Selle la separación de 1/8" (3 mm) entre la superficie de la bañera y la pared acabada con sellador 100% de silicona transparente. Deje secar el sellador según las recomendaciones del fabricante.

9. Termine la instalación

¡IMPORTANTE! Riesgo de daños a la propiedad. Verifique que se haya formado un sello impermeable alrededor del desagüe y rebosadero.

¡IMPORTANTE! Riesgo de daños al producto o a la propiedad. Al instalar accesorios, siga las instrucciones del fabricante. Los accesorios mal instalados pueden causar fugas y anular la garantía.

- Conecte el desagüe a la trampa según las instrucciones del fabricante del desagüe.
- Instale la guarnición de la grifería, el surtidor de la bañera, la puerta de ducha, y demás accesorios según las instrucciones de cada fabricante.
- Retire la cubierta protectora de la bañera.

Phone: 1-888-STERLING (1-888-783-7546)

Mexico: 001-877-680-1310

SterlingPlumbing.com



©2006 by Kohler Co.

1019810-2-C