

STERLING®

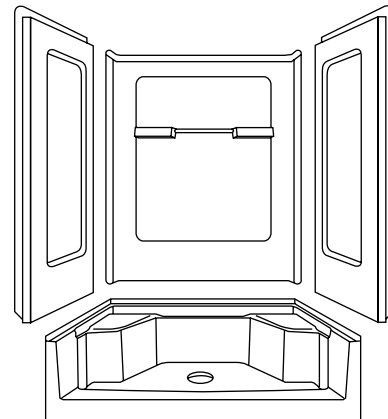
A KOHLER COMPANY

ADVANTAGE™

Features

- Compression molded from our exclusive solid Vikrell® material
- Two toiletry shelves and 18" (45.7 cm) towel bar in back wall for added convenience
- Durable swirl-gloss finish
- Tongue-and-groove 4-piece modular design allows for easy "snap together" installation
- 10-year consumer/3-year commercial limited warranty
- 48-1/4" (122.6 cm) x 35-1/4" (89.5 cm) x 73-1/4" (186.1 cm) complete unit rough-in dimensions include flange
- 48" (121.9 cm) x 34" (86.4 cm) x 72" (182.9 cm) complete unit finished dimensions

48" (121.9 cm) SEATED SHOWER RECEPTOR AND SURROUND 62030100



Codes/Standards Applicable

Specified model meets or exceeds the following:

- ANSI Z124.1.2
- HUD, UM Bulletin 73A
- NAHB Research Foundation, Inc.
- ASTM E162
- ASTM E662
- CSA B45

Colors/Finishes

- 0: White
- Other: Refer to Price Book for additional colors/finishes

Specified Model

Model	Complete Unit Description	Colors/Finishes	
62030100	48" (121.9 cm) seated shower receptor and wall surround	<input type="checkbox"/> 0	<input type="checkbox"/> Other_____

Model	Wall Component Description	Colors/Finishes	
62032100	Back wall	<input type="checkbox"/> 0	<input type="checkbox"/> Other_____
62033110	Left end wall	<input type="checkbox"/> 0	<input type="checkbox"/> Other_____
62033120	Right end wall	<input type="checkbox"/> 0	<input type="checkbox"/> Other_____
62034100	Complete wall set	<input type="checkbox"/> 0	<input type="checkbox"/> Other_____
62035100	End wall set	<input type="checkbox"/> 0	<input type="checkbox"/> Other_____

ADVANTAGE™

Technical Information

Model	door maximum width*	door maximum height
62030100	44-3/4" (113.7 cm)	67" (170.2 cm)
* NOTE: For shower door installation, use the STERLING "SP" fixture specific door only, due to draft angle on receptor walls.		

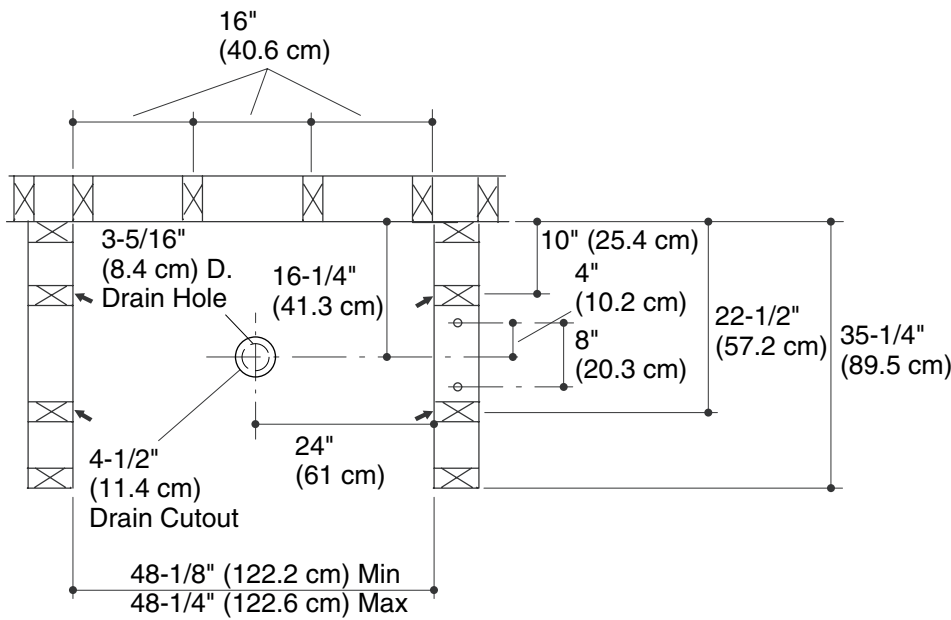
Installation Notes

Install this product according to the installation guide.

Size the drain cutout to fit the drain assembly that will be used.

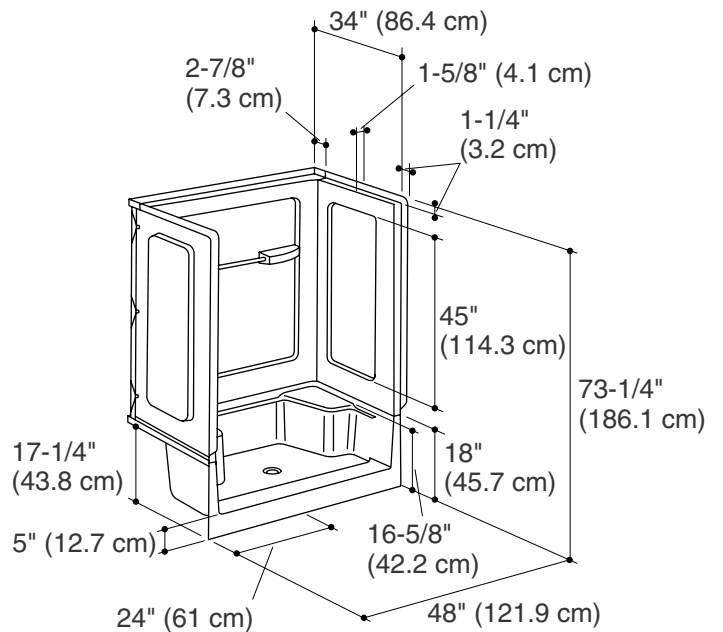
Double studding is recommended for pivot shower door installations.

Studs should be positioned roughly as shown.



Recommended Support Clip Locations

62030100



Product Diagram