

STERLING®

A KOHLER COMPANY

Features

- Compression molded from our exclusive solid Vikrell® material
- Folding transfer seat with stainless steel support
- Factory installed stainless steel grab bars
- Durable swirl-gloss finish
- 10-year consumer/3-year commercial limited warranty
- Tongue-and-groove 4-piece modular design allows for easy "snap together" installation
- 1/2" (13 mm) threshold for easy wheelchair access
- 39-5/8" (1006 mm) x 40-5/8" (1032 mm) x 73-1/4" (1861 mm) direct-to-stud rough-in, including flange
- 39-3/8" (1000 mm) x 39-3/8" (1000 mm) x 72" (1829 mm) complete unit finished dimensions

Codes/Standards Applicable

Specified model meets or exceeds the following:

- ADA
- HUD, UM Bulletin 73A
- NAHB Research Foundation, Inc.
- ASTM E162
- ASTM E662
- ANSI Z124.1.2

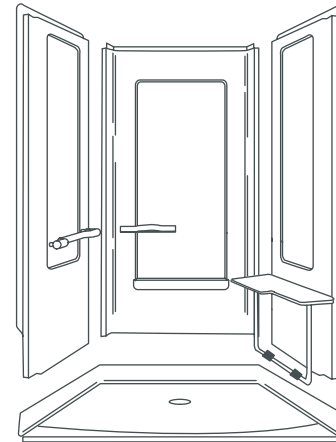
Specified Model

Model	Complete Unit Description	Colors/Finishes	
62050115	39" (991 mm) ADA compliant* shower receptor and wall surround, with grab bars on the left, with transfer seat on the right	<input type="checkbox"/> 0	<input type="checkbox"/> Other_____
62050125	39" (991 mm) ADA compliant* shower receptor and wall surround, with grab bars on the right, with transfer seat on the left	<input type="checkbox"/> 0	<input type="checkbox"/> Other_____

*Product is shipped as ADA compliant with factory assembled grabs bars and seats. When properly installed, the complete installation is ADA compliant. Components are also available separately but are provided only as ADA adaptable.

39" (991 mm) ADA COMPLIANT SHOWER RECEPTOR AND SURROUND

62050115
ALSO 62050125



Colors/Finishes

- 0: White
- Other: Refer to Price Book for additional colors/finishes

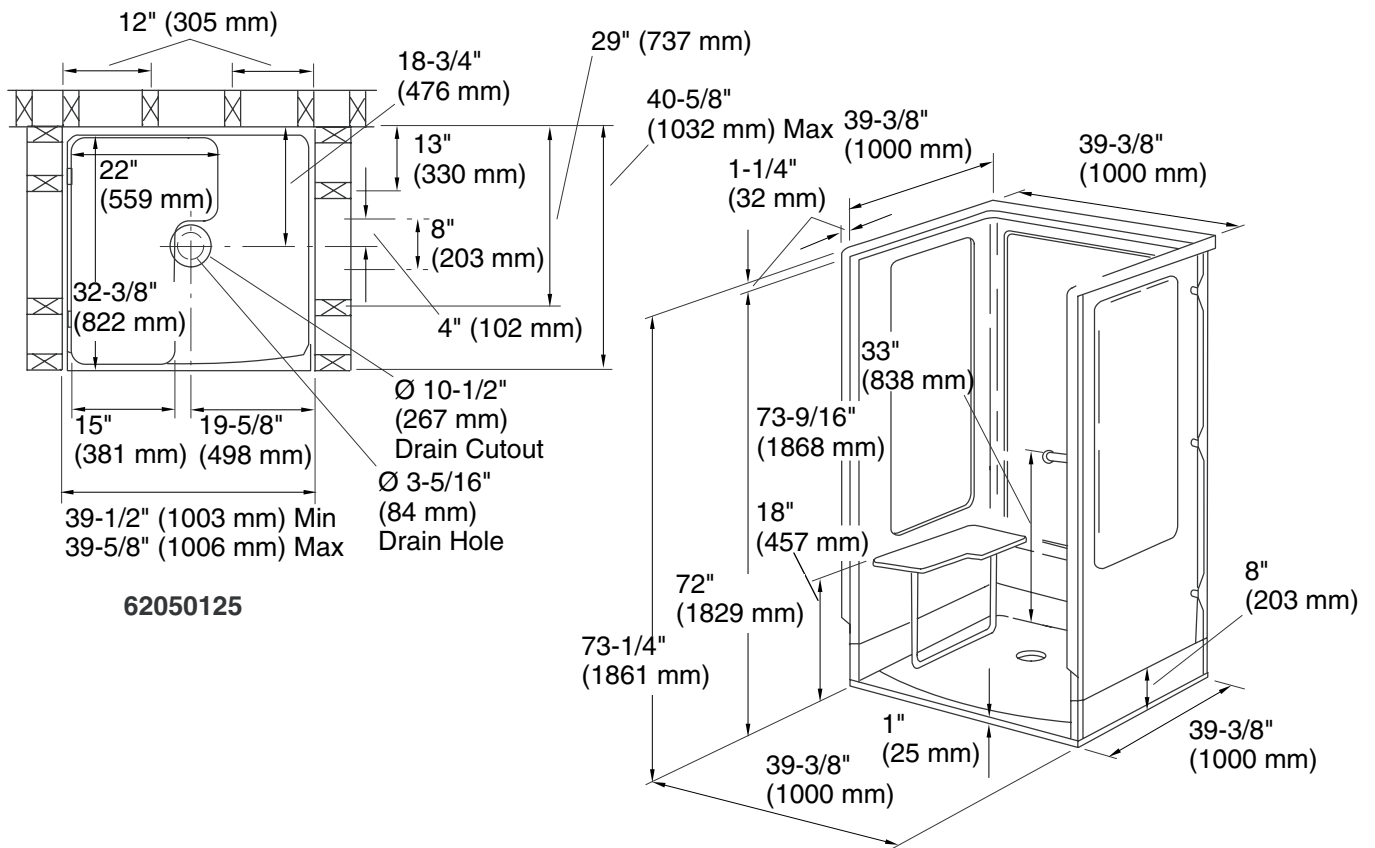
Installation Notes

Install this product according to the installation guide.

Drain cutout in subfloor to be 10-1/2" (267 mm) per rough-in illustration below to allow the backside of the drain to sit below the subfloor surface.

Studs should be positioned as shown.

Backer boards and fasteners protrude beyond the back wall 1-1/2" (38 mm). If installing this product against wall board, 1-1/2" (38 mm) furring strips installed over the wall board are recommended. The stud pocket depth of 40-5/8" (1032 mm) will need to be increased by the combined thickness of the wall board and furring strips.



Product Diagram