



A KOHLER COMPANY

## STAINLESS STEEL KITCHEN SINK 11402

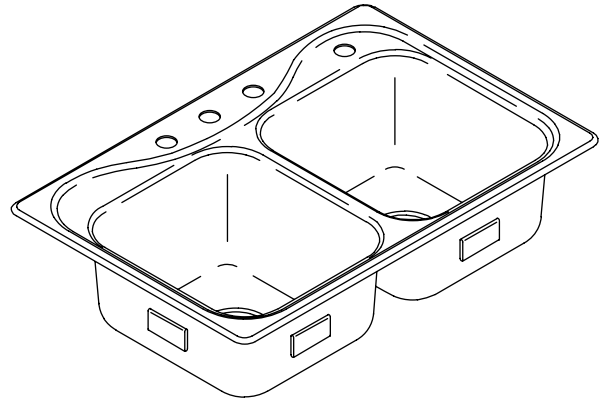
### Features

- Double basin, ledge back sink
- 20 gauge stainless steel
- Self-rimming; rolled rim
- SilentShield™ sound deadening
- Satin finish
- 33" (83.8 cm) x 22" (55.9 cm) x 8" (20.3 cm)

### Codes/Standards Applicable

Specified model meets or exceeds the following:

- None applicable



### Colors/Finishes

- NA: None applicable

### Specified Model

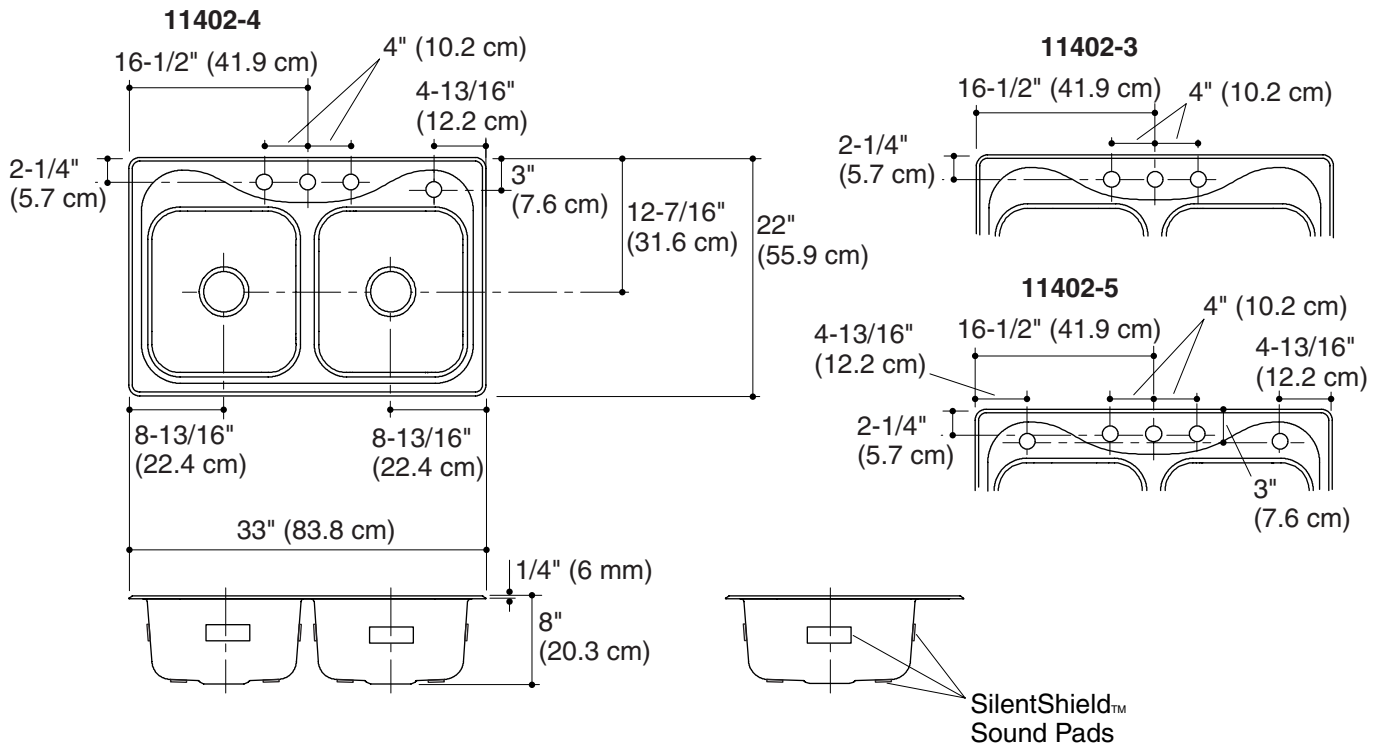
Model	Description	Colors/Finishes
11402-3	3-hole sink	<input type="checkbox"/> NA
F11402-3	3-hole sink, 40 pack	<input type="checkbox"/> NA
11402-4	4-hole sink (shown)	<input type="checkbox"/> NA
F11402-4	4-hole sink, 40 pack	<input type="checkbox"/> NA
11402-5	5-hole sink	<input type="checkbox"/> NA
F11402-5	5-hole sink, 40 pack	<input type="checkbox"/> NA

### **SterlingPlumbing.com**

Visit us online for fixture color choices, detailed product information, color photos, installation instructions, care guides, and warranties. Sterling offers additional lines of plumbing products to complement the Sterling product you've chosen. Sign up for the Sterling monthly e-newsletter which showcases our latest product innovations. You may also call our Sterling Plumbing Answer Center from within the USA at 1-888-STERLING in addition to consulting with your local dealer. Sterling. Strong. Professional. Design.

## Technical Information

Fixture*:	cutout size	basin area
Sink	32-1/2" (82.6 cm) x 21-1/2" (54.6 cm) with 1/2" (1.3 cm) radius corners.	14" (35.6 cm) x 15-1/8" (38.4 cm)
Drain hole	3-5/8" (8.6 cm) D.	
Faucet holes	1-7/16" (3.7 cm) D.	
* Approximate measurements for comparison only.		



## Product Diagram