



STRONG. PROFESSIONAL. DESIGN.™
SPECIFICATIONS

Bath Classics™ Twin Handle Compression Laundry Faucet

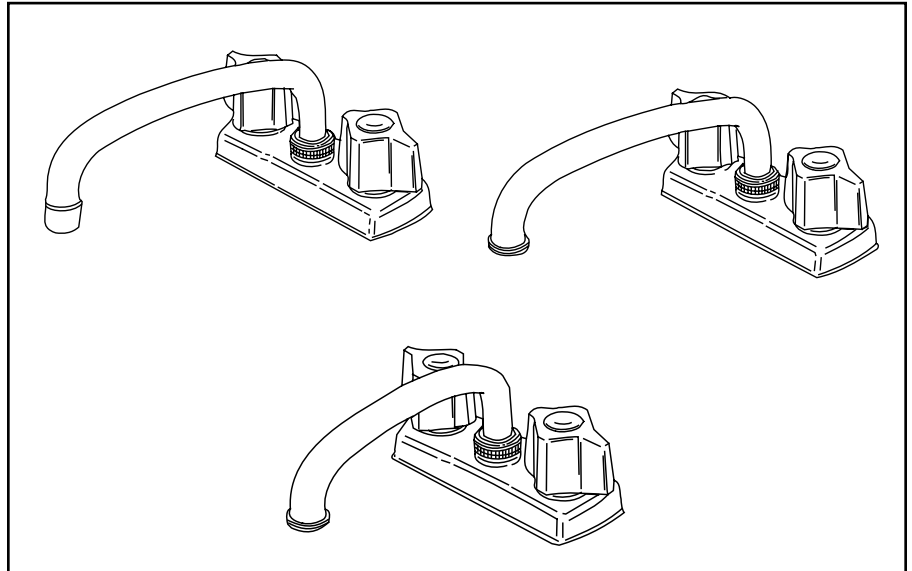
Models 26270, 31200, 31210, 31081,
31083, 31086, 31143

Standard Features

- Maximum operating input water pressure80 psi
- Maximum pressure125 psi
- Supply connectors.....1/2" IPS
- Installation requirements ..2 sink holes
Minimum 1 1/2" Dia. In-line
4" centers

Standards and Ratings

- ASME A112.18.1M American Society of Mechanical Engineers Standard: "Plumbing Fixtures Fittings"



Optional Features

- 8" Tubular Spout
- 6" Tubular Spout
- Hose End
- Screen End

Features

Chrome plated

Tubular Spout

Compression valving

Benefits

Durable and easy to clean

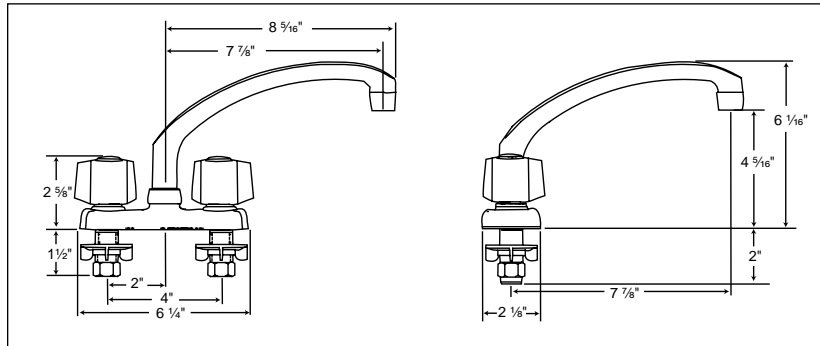
Added convenience

Ideal for hard water areas. Easy and inexpensive to maintain

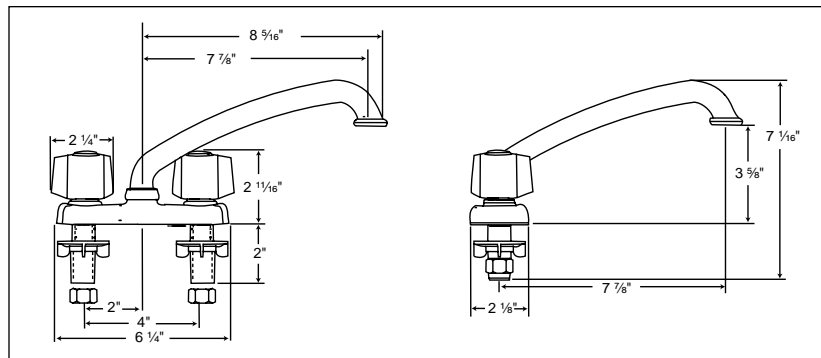
Bath Classics™
Twin Handle Compression
Laundry Faucet

D I M E N S I O N S

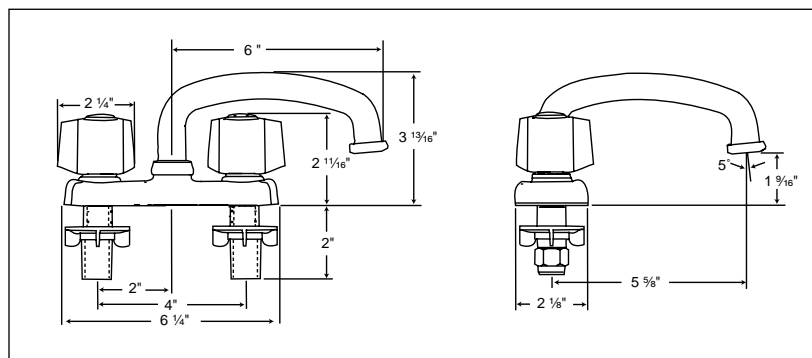
Models 26270, 31200, 31210, 31081,
 31083, 31086, 31143



**Laundry Faucet with 8" Tubular Spout
 and Screen End**



**Laundry Faucet with 8" Tubular Spout
 and Hose End**



**Laundry Faucet with 6" Tubular Spout
 and Hose End**



STRONG. PROFESSIONAL. DESIGN.™

© 2001 Sterling Plumbing, 444 Highland Drive, Kohler, WI 53044 1-888-STERLING
 www.sterlingplumbing.com

Fixture dimensions are nominal and conform to tolerances established by ANSI Standards, Z124.1.

★ Made in U.S.A.

Printed in U.S.A.