

# SAMPLE MEASURING SHEET

## PROLINE® CUSTOM DOORS – By-Pass Bath and Shower Doors

STYLE TS4

Please fill in your name, phone number, and Steps #1 through #5. Take this worksheet to your local home improvement center or Sterling shower door supplier to process your order.

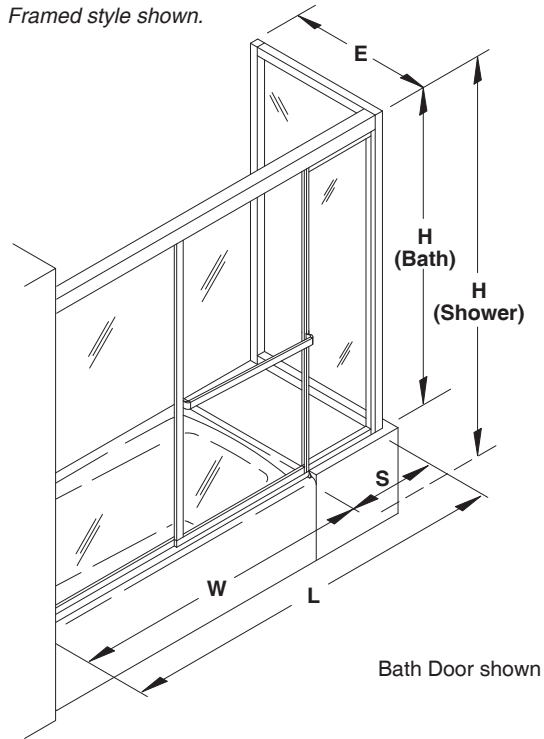
Customer Name \_\_\_\_\_  
 Customer Phone # \_\_\_\_\_

**For Store Use:**

Model # \_\_\_\_\_  
 P.O. # \_\_\_\_\_ P.O. Date \_\_\_\_\_  
 Order Submitted By \_\_\_\_\_ Store # \_\_\_\_\_  
 Company Name \_\_\_\_\_  
 Store Phone # \_\_\_\_\_  
 Store Fax # \_\_\_\_\_  
 Store Address \_\_\_\_\_  
 City \_\_\_\_\_ State \_\_\_\_ Zip \_\_\_\_\_  
 Number of Units Required \_\_\_\_\_

List Price \$ \_\_\_\_\_

\* Framed style shown.



**Note:** Glass panels are **not** the exact size of the opening. Allow for framing.

**Step #1.** Check door style.

- Framed (4600 Series)       Frameless (4700 Series)  
 Check here if you require a steam unit (Framed models only – \$150.00 upcharge.)      \* For Frameless door style, only door panel(s) is/are frameless.

**Step #2.** Designate return panel.

- Right  
 Left

**Step #3.** Check frame finish.

- Silver  
 Matte Silver  
 Nickel (Frameless only)

**Step #4.** Check glass type desired.

-  Pebbled        Hammered        Clear

**Step #5.** Measure installation area and fill in dimensions.

DIM W \_\_\_\_\_ DIM E \_\_\_\_\_  
 Door Width      Return Panel Width (7" min./48" max.)  
 DIM S \_\_\_\_\_ DIM H \_\_\_\_\_  
 Inline Panel Width (7" min./24" max.)      Height (from top of bath or threshold up)  
 DIM L \_\_\_\_\_  
 Total Width (W+S)

**Bath Door:** max. 72" width, max. 60" height  
**Shower Door:** max. 60" width, max. 72" height  
**Inline Panel:** min. 7"/max. 24" width  
**Return Panel:** min. 7"/max. 48" width  
**Bath Door and Inline:** max. 96" width  
**Shower Door and Inline:** max. 84" width

For questions on service parts, how to measure or choose a door, please contact your Customer Service Representative.