

SAMPLE MEASURING SHEET

PROLINE® CUSTOM DOORS – By-Pass Bath and Shower Doors

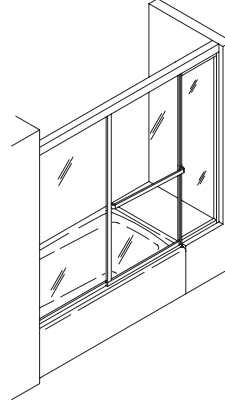
Style TS3

Please fill in your name, phone number, and Steps #1 through #5.
Take this worksheet to your local home improvement center or Sterling shower door supplier to process your order.

Customer Name _____
Customer Phone # _____

For Store Use:

Model # _____
List Price \$ _____ P.O. # _____
Order Submitted By _____ Store # _____
Company Name _____
Number of Units Required _____



Layout Option 1 shown, Framed* style
(see Sterling price catalog for layout options).

Note: Glass panels are **not** the exact size of the opening. Allow for framing.

Step #1. Check door style.

- Framed (4600/14600 Series)
- Check here if you require a steam unit
(Framed models only – \$150.00 upcharge.)
- Frameless (4700/14700 Series)

* For Frameless door style, only door panel(s) is/are frameless.

Step #2. Check frame finish.

- Silver
- Matte Silver
- Polished Brass
- Nickel (Frameless only)
- White

Step #3. Check glass type desired.

- Pebbled
- Hammered
- Rain (Framed only)
- Moraine™
- Naturalist™ (Framed only)
- Solstice™
- Clear
- Clear Tinted: Brown (\$100.00 upcharge)
- Clear Tinted: Grey (\$100.00 upcharge)

Step #4. Measure installation area and fill in dimensions.

DIM W _____
Door Width

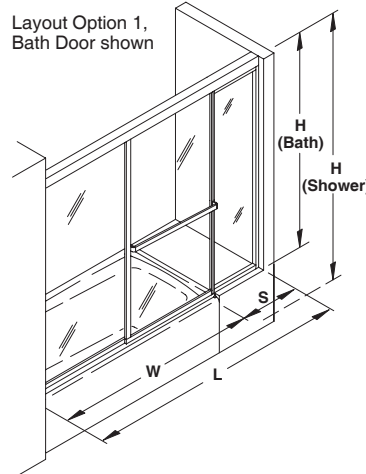
DIM S _____
Inline Panel Width (7" min./24" max.)

DIM L _____
Total Width (W+S)

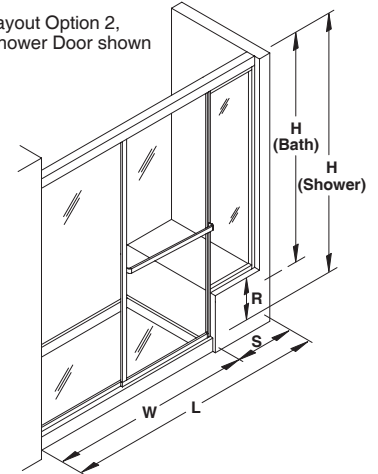
DIM H _____
Height (from top of bath or threshold up)

DIM R _____
Kneewall Height (from top of bath or threshold up)

Layout Option 1,
Bath Door shown



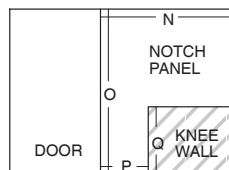
Layout Option 2,
Shower Door shown



Bath Door: max. 72" width, max. 60" height
Shower Door: max. 60" width, max. 72" height
Inline Panel: min. 7"/max. 24" width
Not to exceed total width: Bath 96", Shower 96"

Step #5. If required, measure panel notches and fill in dimensions.

N _____ P _____ Notched on Right
O _____ Q _____ Notched on Left



Notes: Minimum notched panel dimensions = 4" x 4".
Notched panel must be at least 7" wide
(measurement P) to prevent glass from breaking.

For questions on service parts, how to measure or choose a door,
please contact your Customer Service Representative.

