

SAMPLE MEASURING SHEET

PROLINE® CUSTOM DOORS – By-Pass Bath and Shower Doors

STYLE TS1

Please fill in your name, phone number, and Steps #1 through #4. Take this worksheet to your local home improvement center or Sterling shower door supplier to process your order.

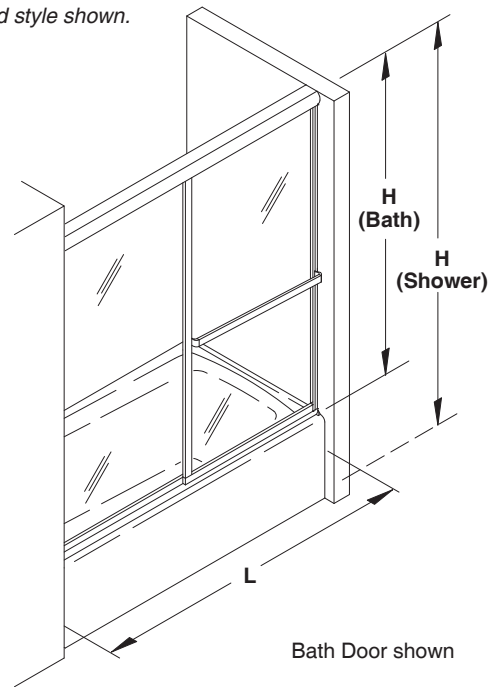
Customer Name _____
 Customer Phone # _____

For Store Use:

Model # _____
 P.O. # _____ P.O. Date _____
 Order Submitted By _____ Store # _____
 Company Name _____
 Store Phone # _____
 Store Fax # _____
 Store Address _____
 City _____ State ____ Zip _____
 Number of Units Required _____

List Price \$ _____

* Framed style shown.



Note: Glass panels are **not** the exact size of the opening. Allow for framing.

Step #1. Check door style.

- Framed (4600 Series) Frameless (4700 Series)
 Check here if you require a steam unit (Framed models only – \$150.00 upcharge.) * For Frameless door style, only door panel(s) is/are frameless.

Step #2. Check frame finish.

- Silver
 Matte Silver
 Nickel (Frameless only)

Step #3. Check glass type desired.

-  Pebbled  Hammered  Clear

Step #4. Measure installation area and fill in dimensions.

DIM L _____ DIM H _____
 Door Width Height
 (from top of bath or threshold up)

Bath Door: max. 72" width, max. 60" height
Shower Door: max. 60" width, max. 72" height

For questions on service parts, how to measure or choose a door, please contact your Customer Service Representative.