

SAMPLE MEASURING SHEET

PROLINE® CUSTOM DOORS – Pivot/Swing Shower Doors

STYLE S3

Please fill in your name, phone number, and Steps #1 through #6. Take this worksheet to your local home improvement center or Sterling shower door supplier to process your order.

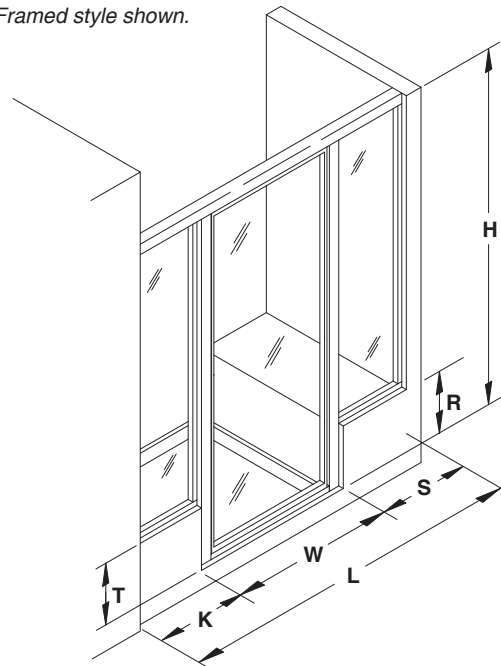
Customer Name _____
 Customer Phone # _____

For Store Use:

Model # _____
 P.O. # _____ P.O. Date _____
 Order Submitted By _____ Store # _____
 Company Name _____
 Store Phone # _____
 Store Fax # _____
 Store Address _____
 City _____ State _____ Zip _____
 Number of Units Required _____

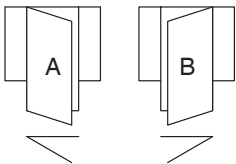
List Price \$ _____

* Framed style shown.



Note: Glass panels are **not** the exact size of the opening. Allow for framing.

Step #1. Circle desired layout.



Step #2. Check door style.

- Framed (4800 Series) Frameless (4900 Series)
 Check here if you require a steam unit (Framed models only – \$75.00 upcharge.) * For Frameless door style, only door panel(s) is/are frameless.

Step #3. Check frame finish.

- Silver
 Matte Silver
 Nickel (Frameless only)

Step #4. Check glass type desired.

- Pebbled Hammered Clear

Step #5. Measure installation area and fill in dimensions.

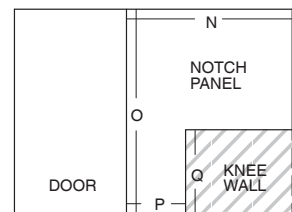
DIM W _____ Door Width
 DIM T _____ Kneewall Height (from threshold up)
 DIM K _____ Inline Panel Width (6" min./24" max.)
 DIM R _____ Kneewall Height (from threshold up)
 DIM S _____ Inline Panel Width (6" min./24" max.)
 DIM H _____ Height (from threshold up)
 DIM L _____ Total Width (W+K+S)

Door: max. 36" width
Inline Panels: min. 6"/max. 24" width
Maximum 84" total width, max. 84" height

Step #6. If required, measure panel notches and fill in dimensions.

N _____ P _____
 O _____ Q _____

- Notched on Right
 Notched on Left



Notes: Minimum notched panel dimensions = 4" x 4".
 Notched panel must be at least 7" wide (measurement P) to prevent glass from breaking.

For questions on service parts, how to measure or choose a door, please contact your Customer Service Representative.

