

# SAMPLE MEASURING SHEET

## PROLINE® CUSTOM DOORS – Pivot/Swing Shower Doors

STYLE S2

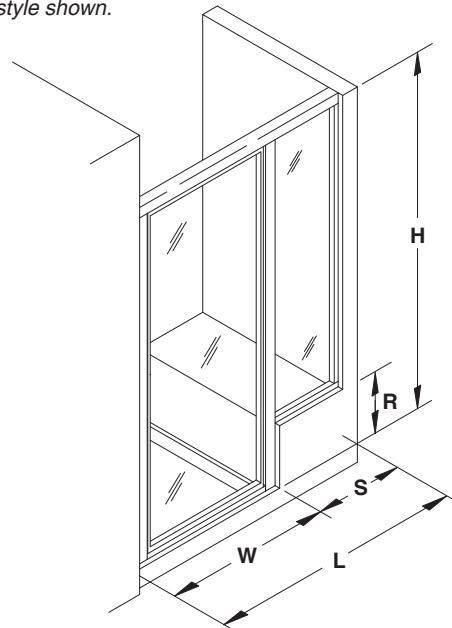
Please fill in your name, phone number, and Steps #1 through #6. Take this worksheet to your local home improvement center or Sterling shower door supplier to process your order.

\* Framed style shown.

Customer Name \_\_\_\_\_  
Customer Phone # \_\_\_\_\_

**For Store Use:**

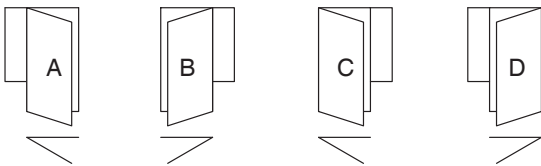
Model # \_\_\_\_\_  
P.O. # \_\_\_\_\_ P.O. Date \_\_\_\_\_  
Order Submitted By \_\_\_\_\_ Store # \_\_\_\_\_  
Company Name \_\_\_\_\_  
Store Phone # \_\_\_\_\_  
Store Fax # \_\_\_\_\_  
Store Address \_\_\_\_\_  
City \_\_\_\_\_ State \_\_\_\_ Zip \_\_\_\_\_  
Number of Units Required \_\_\_\_\_



List Price \$ \_\_\_\_\_

**Note:** Glass panels are **not** the exact size of the opening. Allow for framing.

**Step #1.** Circle desired layout.



**Step #2.** Check door style.

- Framed (4800 Series)       Frameless (4900 Series)
- Check here if you require a steam unit (Framed models only – \$75.00 upcharge.)      \* For Frameless door style, only door panel(s) is/are frameless.

**Step #3.** Check frame finish.

- Silver  
 Matte Silver  
 Nickel (Frameless only)

**Step #4.** Check glass type desired.

- Pebbled       Hammered       Clear

**Step #5.** Measure installation area and fill in dimensions.

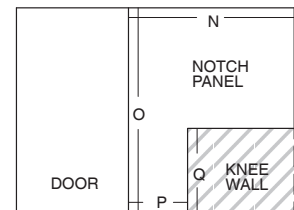
DIM W \_\_\_\_\_ Door Width  
DIM R \_\_\_\_\_ Kneewall Height (from threshold up)  
DIM S \_\_\_\_\_ Inline Panel Width (6" min./24" max.)  
DIM H \_\_\_\_\_ Height (from threshold up)  
DIM L \_\_\_\_\_ Total Width (W+S)

**Door: max. 36" width**  
**Inline Panel: min. 6"/max. 24" width**  
**Maximum 60" total width, max. 84" height**

**Step #6.** If required, measure panel notches and fill in dimensions.

N \_\_\_\_\_ P \_\_\_\_\_  
O \_\_\_\_\_ Q \_\_\_\_\_

- Notched on Right  
 Notched on Left



**Notes:** Minimum notched panel dimensions = 4" x 4".  
Notched panel must be at least 7" wide (measurement P) to prevent glass from breaking.