

# SAMPLE MEASURING SHEET

## PROLINE® CUSTOM DOORS – 2/3 Neo-Angle Shower Doors

STYLE N5

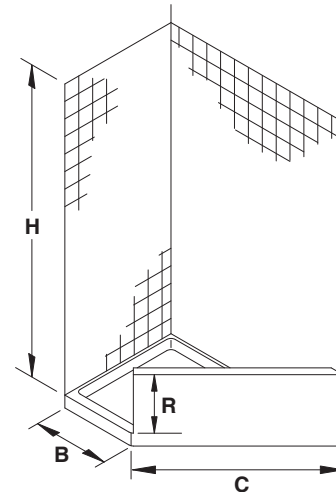
Please fill in your name, phone number, and Steps #1 through #5. Take this worksheet to your local home improvement center or Sterling shower door supplier to process your order.

Customer Name \_\_\_\_\_  
 Customer Phone # \_\_\_\_\_

**For Store Use:**

Model # \_\_\_\_\_  
 P.O. # \_\_\_\_\_ P.O. Date \_\_\_\_\_  
 Order Submitted By \_\_\_\_\_ Store # \_\_\_\_\_  
 Company Name \_\_\_\_\_  
 Store Phone # \_\_\_\_\_  
 Store Fax # \_\_\_\_\_  
 Store Address \_\_\_\_\_  
 City \_\_\_\_\_ State \_\_\_\_\_ Zip \_\_\_\_\_  
 Number of Units Required \_\_\_\_\_

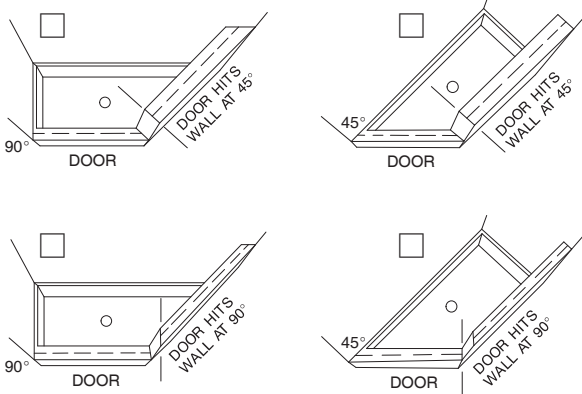
List Price \$ \_\_\_\_\_



**Note: All dimensions taken at centerline of ledge/threshold.**

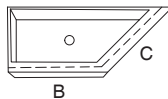
**Note:** Glass panels are **not** the exact size of the opening. Allow for framing.

**Step #1.** Check desired layout and knee wall position.



Check knee wall position.

B  C



**Step #2.** Check door style.

- Framed (4800 Series)  Frameless (4900 Series)  
 Check here if you require a steam unit (Framed models only – \$150.00 upcharge.)  
*For Frameless door style, only door panel(s) is/are frameless.*

**Step #3.** Check frame finish.

- Silver  
 Matte Silver  
 Nickel (Frameless only)

**Step #4.** Check glass type desired.

- Pebbled  Hammered  Clear

**Step #5.** Measure installation area and fill in centerline dimensions.

If inline panel is required with door section, designate:  
 door width \_\_\_\_\_ and inline panel width \_\_\_\_\_  
 (door panel = 36" max.; side panel(s) = 6" min.).

DIM B \_\_\_\_\_ DIM R \_\_\_\_\_  
 Panel Kneewall Height (from threshold up)

DIM C \_\_\_\_\_ DIM H \_\_\_\_\_  
 Panel Height (from threshold up)

**Door: max. 36" width**  
**Fixed Panel: max. 48" width**  
**Sum of door and fixed panel width = 64" or less;**  
**Greater than 64" width, up to maximum 80" = \$66.00 upcharge**  
**Maximum 84" height**

For questions on service parts, how to measure or choose a door, please contact your Customer Service Representative.

