

SAMPLE MEASURING SHEET

PROLINE® CUSTOM DOORS – By-Pass Bath and Shower Doors

STYLE TS1

Please fill in your name, phone number, and Steps #1 through #4. Take this worksheet to your local home improvement center or Sterling shower door supplier to process your order.

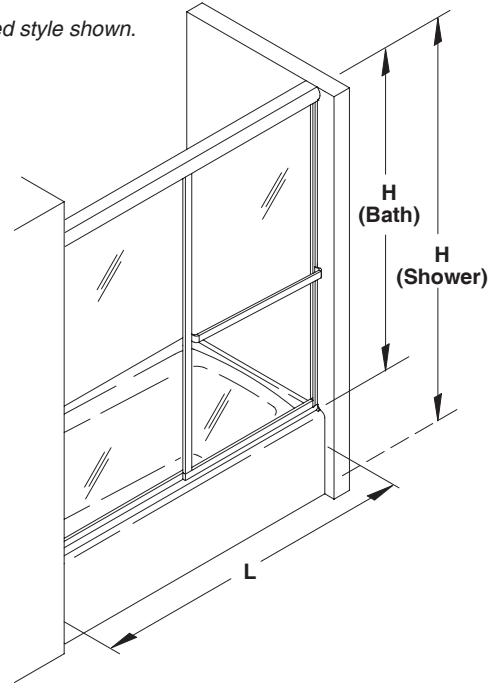
Customer Name _____
 Customer Phone # _____

For Store Use:

Model # _____
 P.O. Date _____ P.O. # _____
 Order Submitted By _____ Store # _____
 Company Name _____
 Store Phone # _____
 Store Fax # _____
 Store Address _____
 City _____ State _____ Zip _____
 Number of Units Required _____

List Price \$ _____

* Framed style shown.



Note: Glass panels are **not** the exact size of the opening. Allow for framing.

Step #1. Check door style.

- | | |
|---|--|
| <input type="checkbox"/> Framed (4600/14600 Series) | <input type="checkbox"/> Frameless (4700/14700 Series) |
| <input type="checkbox"/> Check here if you require a steam unit (Framed models only – \$150.00 upcharge.) | * For Frameless door style, only door panel(s) is/are frameless. |

Step #2. Check frame finish.

- | | |
|---|--|
| <input type="checkbox"/> Silver | <input type="checkbox"/> Nickel (Frameless only) |
| <input type="checkbox"/> Matte Silver | <input type="checkbox"/> White |
| <input type="checkbox"/> Polished Brass | |

Step #3. Check glass type desired.

- | | |
|--|--|
| <input type="checkbox"/> Pebbled | <input type="checkbox"/> Solstice™ |
| <input type="checkbox"/> Hammered | <input type="checkbox"/> Clear |
| <input type="checkbox"/> Rain (Framed only) | <input type="checkbox"/> Clear Tinted: Brown (\$100.00 upcharge) |
| <input type="checkbox"/> Moraine™ | <input type="checkbox"/> Clear Tinted: Grey (\$100.00 upcharge) |
| <input type="checkbox"/> Naturalist™ (Framed only) | |

Step #4. Measure installation area and fill in dimensions.

DIM L _____ DIM H _____
 Door Width Height
 (from top of bath or threshold up)

Bath Door: max. 72" width, max. 60" height
Shower Door: max. 60" width, max. 72" height

For questions on service parts, how to measure or choose a door, please contact your Customer Service Representative.



SAMPLE MEASURING SHEET

PROLINE® CUSTOM DOORS – By-Pass Bath and Shower Doors

STYLE TS3

Please fill in your name, phone number, and Steps #1 through #4. Take this worksheet to your local home improvement center or Sterling shower door supplier to process your order.

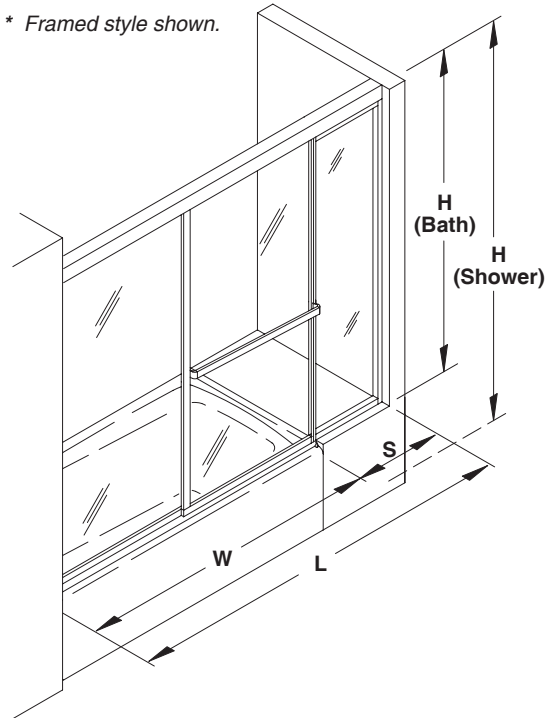
Customer Name _____
 Customer Phone # _____

For Store Use:

Model # _____
 P.O. Date _____ P.O. # _____
 Order Submitted By _____ Store # _____
 Company Name _____
 Store Phone # _____
 Store Fax # _____
 Store Address _____
 City _____ State _____ Zip _____
 Number of Units Required _____

List Price \$ _____

* Framed style shown.



Note: Glass panels are **not** the exact size of the opening. Allow for framing.

Step #1. Check door style.

- | | |
|---|--|
| <input type="checkbox"/> Framed
(4600/14600 Series) | <input type="checkbox"/> Frameless
(4700/14700 Series) |
| <input type="checkbox"/> Check here if you require a steam unit (Framed models only – \$150.00 upcharge.) | * For Frameless door style, only door panel(s) is/are frameless. |

Step #2. Check frame finish.

- | | |
|---|--|
| <input type="checkbox"/> Silver | <input type="checkbox"/> Nickel (Frameless only) |
| <input type="checkbox"/> Matte Silver | <input type="checkbox"/> White |
| <input type="checkbox"/> Polished Brass | |

Step #3. Check glass type desired.

- | | |
|--|--|
| <input type="checkbox"/> Pebbled | <input type="checkbox"/> Solstice™ |
| <input type="checkbox"/> Hammered | <input type="checkbox"/> Clear |
| <input type="checkbox"/> Rain (Framed only) | <input type="checkbox"/> Clear Tinted: Brown (\$100.00 upcharge) |
| <input type="checkbox"/> Moraine™ | <input type="checkbox"/> Clear Tinted: Grey (\$100.00 upcharge) |
| <input type="checkbox"/> Naturalist™ (Framed only) | |

Step #4. Measure installation area and fill in dimensions.

DIM W _____ DIM H _____
 Door Width Height
 (from top of bath or threshold up)

DIM S _____
 Inline Panel Width (7" min./24" max.)

DIM L _____
 Total Width (W+S)

Bath Door: max. 72" width, max. 60" height
Shower Door: max. 60" width, max. 72" height
Inline Panel: min. 7"/max. 24" width
Bath Door and Inline: max. 96" width
Shower Door and Inline: max. 84" width

For questions on service parts, how to measure or choose a door, please contact your Customer Service Representative.



SAMPLE MEASURING SHEET

PROLINE® CUSTOM DOORS – By-Pass Bath and Shower Doors

STYLE TS4

Please fill in your name, phone number, and Steps #1 through #5. Take this worksheet to your local home improvement center or Sterling shower door supplier to process your order.

Customer Name _____

Customer Phone # _____

For Store Use:

Model # _____

P.O. Date _____ P.O. # _____

Order Submitted By _____ Store # _____

Company Name _____

Store Phone # _____

Store Fax # _____

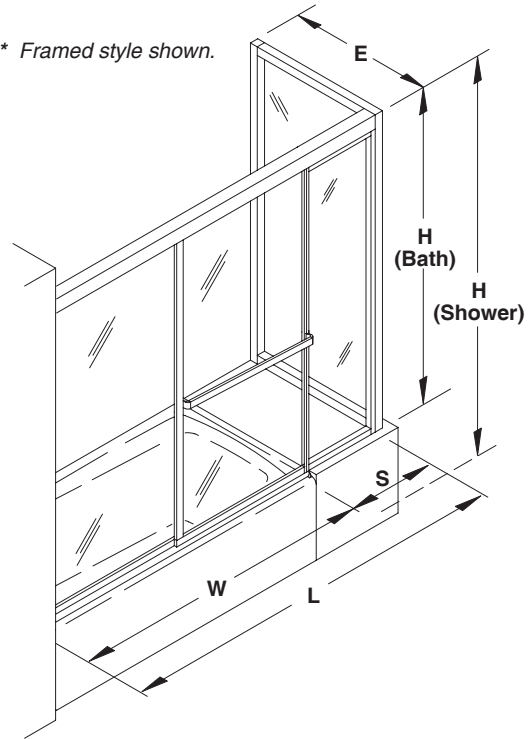
Store Address _____

City _____ State _____ Zip _____

Number of Units Required _____

List Price \$ _____

* Framed style shown.



Note: Glass panels are **not** the exact size of the opening. Allow for framing.

Step #1. Check door style.

- | | |
|---|--|
| <input type="checkbox"/> Framed
(4600/14600 Series) | <input type="checkbox"/> Frameless
(4700/14700 Series) |
| <input type="checkbox"/> Check here if you require a steam unit (Framed models only – \$150.00 upcharge.) | * For Frameless door style, only door panel(s) is/are frameless. |

Step #2. Designate return panel.

- Right Left

Step #3. Check frame finish.

- | | |
|---|--|
| <input type="checkbox"/> Silver | <input type="checkbox"/> Nickel (Frameless only) |
| <input type="checkbox"/> Matte Silver | <input type="checkbox"/> White |
| <input type="checkbox"/> Polished Brass | |

Step #4. Check glass type desired.

- | | |
|--|--|
| <input type="checkbox"/> Pebbled | <input type="checkbox"/> Solstice™ |
| <input type="checkbox"/> Hammered | <input type="checkbox"/> Clear |
| <input type="checkbox"/> Rain (Framed only) | <input type="checkbox"/> Clear Tinted: Brown (\$100.00 upcharge) |
| <input type="checkbox"/> Moraine™ | <input type="checkbox"/> Clear Tinted: Grey (\$100.00 upcharge) |
| <input type="checkbox"/> Naturalist™ (Framed only) | |

Step #5. Measure installation area and fill in dimensions.

DIM W _____ DIM E _____
 Door Width Return Panel Width (7" min./48" max.)

DIM S _____ DIM H _____
 Inline Panel Width (7" min./24" max.) Height
 (from top of bath or threshold up)

DIM L _____
 Total Width (W+S)

Bath Door: max. 72" width, max. 60" height
Shower Door: max. 60" width, max. 72" height
Inline Panel: min. 7"/max. 24" width
Return Panel: min. 7"/max. 48" width
Bath Door and Inline: max. 96" width
Shower Door and Inline: max. 84" width



For questions on service parts, how to measure or choose a door, please contact your Customer Service Representative.

SAMPLE MEASURING SHEET

PROLINE® CUSTOM DOORS – By-Pass Bath and Shower Doors

STYLE TS5

Please fill in your name, phone number, and Steps #1 through #4. Take this worksheet to your local home improvement center or Sterling shower door supplier to process your order.

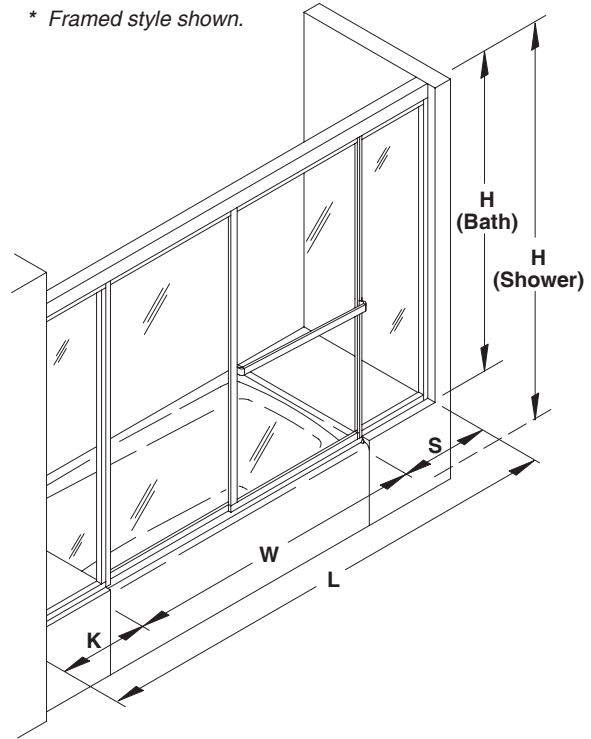
Customer Name _____
 Customer Phone # _____

For Store Use:

Model # _____
 P.O. Date _____ P.O. # _____
 Order Submitted By _____ Store # _____
 Company Name _____
 Store Phone # _____
 Store Fax # _____
 Store Address _____
 City _____ State _____ Zip _____
 Number of Units Required _____

List Price \$ _____

* Framed style shown.



Note: Glass panels are **not** the exact size of the opening. Allow for framing.

Step #1. Check door style.

- | | |
|---|--|
| <input type="checkbox"/> Framed
(4600/14600 Series) | <input type="checkbox"/> Frameless
(4700/14700 Series) |
| <input type="checkbox"/> Check here if you require a steam unit (Framed models only – \$150.00 upcharge.) | * For Frameless door style, only door panel(s) is/are frameless. |

Step #2. Check frame finish.

- | | |
|---|--|
| <input type="checkbox"/> Silver | <input type="checkbox"/> Nickel (Frameless only) |
| <input type="checkbox"/> Matte Silver | <input type="checkbox"/> White |
| <input type="checkbox"/> Polished Brass | |

Step #3. Check glass type desired.

- | | |
|--|--|
| <input type="checkbox"/> Pebbled | <input type="checkbox"/> Solstice™ |
| <input type="checkbox"/> Hammered | <input type="checkbox"/> Clear |
| <input type="checkbox"/> Rain (Framed only) | <input type="checkbox"/> Clear Tinted: Brown (\$100.00 upcharge) |
| <input type="checkbox"/> Moraine™ | <input type="checkbox"/> Clear Tinted: Grey (\$100.00 upcharge) |
| <input type="checkbox"/> Naturalist™ (Framed only) | |

Step #4. Measure installation area and fill in dimensions.

DIM W _____ DIM H _____
 Door Width Height
 (from top of bath or threshold up)

DIM K _____
 Inline Panel Width (7" min./24" max.)

DIM S _____
 Inline Panel Width (7" min./24" max.)

DIM L _____
 Total Width (W+K+S)

Bath Door: max. 72" width, max. 60" height
Shower Door: max. 60" width, max. 72" height
Inline Panels: min. 7"/max. 24" width
Not to exceed total width: Bath 96", Shower 96"

For questions on service parts, how to measure or choose a door, please contact your Customer Service Representative.



SAMPLE MEASURING SHEET

PROLINE® CUSTOM DOORS – By-Pass Bath and Shower Doors

STYLE TS6

Please fill in your name, phone number, and Steps #1 through #6. Take this worksheet to your local home improvement center or Sterling shower door supplier to process your order.

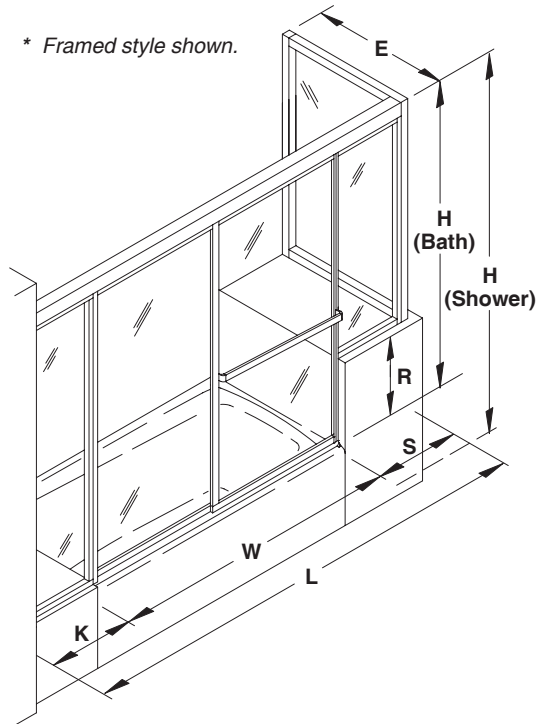
Customer Name _____
 Customer Phone # _____

For Store Use:

Model # _____
 P.O. Date _____ P.O. # _____
 Order Submitted By _____ Store # _____
 Company Name _____
 Store Phone # _____
 Store Fax # _____
 Store Address _____
 City _____ State _____ Zip _____
 Number of Units Required _____

List Price \$ _____

* Framed style shown.



Note: Glass panels are **not** the exact size of the opening. Allow for framing.

Step #1. Check door style.

- Framed (4600/14600 Series) Frameless (4700/14700 Series)
 Check here if you require a steam unit (Framed models only – \$150.00 upcharge.) * For Frameless door style, only door panel(s) is/are frameless.

Step #2. Designate return panel.

- Right Left

Step #3. Check frame finish.

- Silver Nickel (Frameless only)
 Matte Silver White
 Polished Brass

Step #4. Check glass type desired.

- Pebbled Solstice™
 Hammered Clear
 Rain (Framed only) Clear Tinted: Brown (\$100.00 upcharge)
 Moraine™ Clear Tinted: Grey (\$100.00 upcharge)
 Naturalist™ (Framed only)

Step #5. Measure installation area and fill in dimensions.

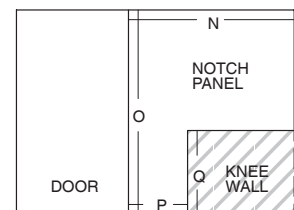
DIM W _____ Door Width
DIM E _____ Return Panel Width (7" min./48" max.)
DIM K _____ Inline Panel Width (7" min./24" max.)
DIM R _____ Wall Height (from top of bath or threshold up)
DIM S _____ Inline Panel Width (7" min./24" max.)
DIM H _____ Height (from top of bath or threshold up)
DIM L _____ Total Width (W+K+S)

Bath Door: max. 72" width, max. 60" height
Shower Door: max. 60" width, max. 72" height
Inline Panels: min. 7"/max. 24" width
Return Panel: min. 7"/max. 48" width
Not to exceed total width: Bath 96", Shower 96"

Step #6. If required, measure panel notches and fill in dimensions.

N _____ P _____
 O _____ Q _____

- Notched on Right
 Notched on Left



Notes: Minimum notched panel dimensions = 4" x 4".
 Notched panel must be at least 7" wide (measurement P) to prevent glass from breaking.



For questions on service parts, how to measure or choose a door, please contact your Customer Service Representative.

SAMPLE MEASURING SHEET

PROLINE® CUSTOM DOORS – By-Pass Bath and Shower Doors

STYLE TS7

Please fill in your name, phone number, and Steps #1 through #6. Take this worksheet to your local home improvement center or Sterling shower door supplier to process your order.

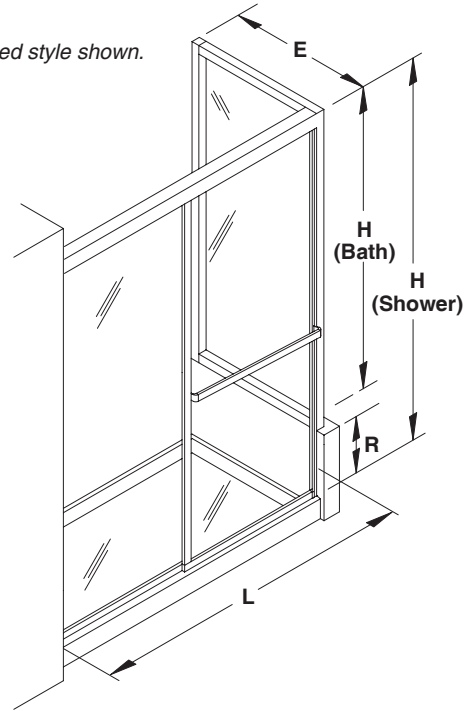
Customer Name _____
 Customer Phone # _____

For Store Use:

Model # _____
 P.O. Date _____ P.O. # _____
 Order Submitted By _____ Store # _____
 Company Name _____
 Store Phone # _____
 Store Fax # _____
 Store Address _____
 City _____ State ____ Zip _____
 Number of Units Required _____

List Price \$ _____

* Framed style shown.



Note: Glass panels are **not** the exact size of the opening. Allow for framing.

Step #1. Check door style.

Framed (4600/14600 Series) Frameless (4700/14700 Series)
 Check here if you require a steam unit (Framed models only – \$150.00 upcharge.) * For Frameless door style, only door panel(s) is/are frameless.

Step #2. Designate return panel.

Right Left

Step #3. Check frame finish.

Silver Nickel (Frameless only)
 Matte Silver White
 Polished Brass

Step #4. Check glass type desired.

Pebbled Solstice™
 Hammered Clear
 Rain (Framed only) Clear Tinted: Brown (\$100.00 upcharge)
 Moraine™ Clear Tinted: Grey (\$100.00 upcharge)
 Naturalist™ (Framed only)

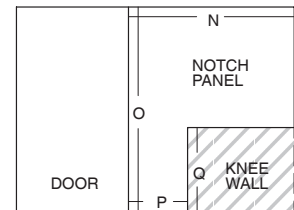
Step #5. Measure installation area and fill in dimensions.

DIM L _____ DIM R _____
 Door Width Wall Height (from top of bath or threshold up)
 DIM E _____ DIM H _____
 Return Panel Width (7" min./48" max.) Height (from top of bath or threshold up)

Bath Door: max. 72" width, max. 60" height
Shower Door: max. 60" width, max. 72" height
Return Panel: min. 7"/max. 48" width

Step #6. If required, measure panel notches and fill in dimensions.

N _____ P _____
 O _____ Q _____
 Notched on Right
 Notched on Left



Notes: Minimum notched panel dimensions = 4" x 4".
 Notched panel must be at least 7" wide (measurement P) to prevent glass from breaking.

For questions on service parts, how to measure or choose a door, please contact your Customer Service Representative.



SAMPLE MEASURING SHEET

PROLINE® CUSTOM DOORS – By-Pass Bath and Shower Doors

STYLE TS8

Please fill in your name, phone number, and Steps #1 through #5. Take this worksheet to your local home improvement center or Sterling shower door supplier to process your order.

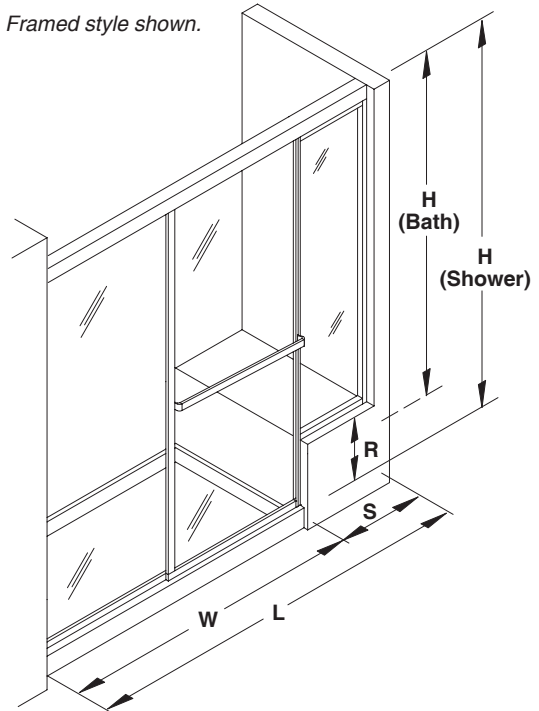
Customer Name _____
 Customer Phone # _____

For Store Use:

Model # _____
 P.O. Date _____ P.O. # _____
 Order Submitted By _____ Store # _____
 Company Name _____
 Store Phone # _____
 Store Fax # _____
 Store Address _____
 City _____ State _____ Zip _____
 Number of Units Required _____

List Price \$ _____

* Framed style shown.



Note: Glass panels are **not** the exact size of the opening. Allow for framing.

Step #1. Check door style.

- | | |
|---|--|
| <input type="checkbox"/> Framed
(4600/14600 Series) | <input type="checkbox"/> Frameless
(4700/14700 Series) |
| <input type="checkbox"/> Check here if you require a steam unit (Framed models only – \$150.00 upcharge.) | * For Frameless door style, only door panel(s) is/are frameless. |

Step #2. Check frame finish.

- | | |
|---|--|
| <input type="checkbox"/> Silver | <input type="checkbox"/> Nickel (Frameless only) |
| <input type="checkbox"/> Matte Silver | <input type="checkbox"/> White |
| <input type="checkbox"/> Polished Brass | |

Step #3. Check glass type desired.

- | | |
|--|--|
| <input type="checkbox"/> Pebbled | <input type="checkbox"/> Solstice™ |
| <input type="checkbox"/> Hammered | <input type="checkbox"/> Clear |
| <input type="checkbox"/> Rain (Framed only) | <input type="checkbox"/> Clear Tinted: Brown (\$100.00 upcharge) |
| <input type="checkbox"/> Moraine™ | <input type="checkbox"/> Clear Tinted: Grey (\$100.00 upcharge) |
| <input type="checkbox"/> Naturalist™ (Framed only) | |

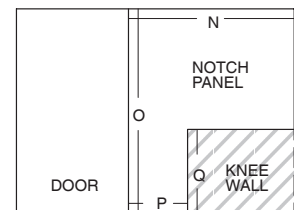
Step #4. Measure installation area and fill in dimensions.

- | | |
|--|--|
| DIM W _____
Door Width | DIM R _____
Wall Height
(from top of bath or threshold up) |
| DIM S _____
Inline Panel Width (7" min./24" max.) | DIM H _____
Height
(from top of bath or threshold up) |
| DIM L _____
Total Width (W+S) | |

Bath Door: max. 72" width, max. 60" height
Shower Door: max. 60" width, max. 72" height
Inline Panel: min. 7"/max. 24" width
Not to exceed total width: Bath 96", Shower 96"

Step #5. If required, measure panel notches and fill in dimensions.

- | | |
|---|---------|
| N _____ | P _____ |
| O _____ | Q _____ |
| <input type="checkbox"/> Notched on Right | |
| <input type="checkbox"/> Notched on Left | |



Notes: Minimum notched panel dimensions = 4" x 4".
 Notched panel must be at least 7" wide (measurement P) to prevent glass from breaking.



For questions on service parts, how to measure or choose a door, please contact your Customer Service Representative.

SAMPLE MEASURING SHEET

PROLINE® CUSTOM DOORS – By-Pass Bath and Shower Doors

STYLE TS9

Please fill in your name, phone number, and Steps #1#1 through #6. Take this worksheet to your local home improvement center or Sterling shower door supplier to process your order.

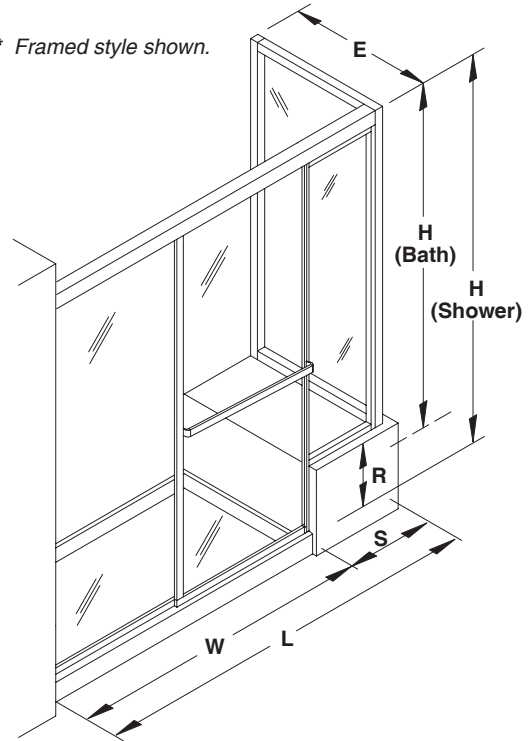
Customer Name _____
 Customer Phone # _____

For Store Use:

Model # _____
 P.O. Date _____ P.O. # _____
 Order Submitted By _____ Store # _____
 Company Name _____
 Store Phone # _____
 Store Fax # _____
 Store Address _____
 City _____ State _____ Zip _____
 Number of Units Required _____

List Price \$ _____

* Framed style shown.



Note: Glass panels are **not** the exact size of the opening. Allow for framing.

Step #1. Check door style.

Framed (4600/14600 Series) Frameless (4700/14700 Series)
 Check here if you require a steam unit (Framed models only – \$150.00 upcharge.) * For Frameless door style, only door panel(s) is/are frameless.

Step #2. Designate return panel.

Right Left

Step #3. Check frame finish.

Silver Nickel (Frameless only)
 Matte Silver White
 Polished Brass

Step #4. Check glass type desired.

Pebbled Solstice™
 Hammered Clear
 Rain (Framed only) Clear Tinted: Brown (\$100.00 upcharge)
 Moraine™ Clear Tinted: Grey (\$100.00 upcharge)
 Naturalist™ (Framed only)

Step #5. Measure installation area and fill in dimensions.

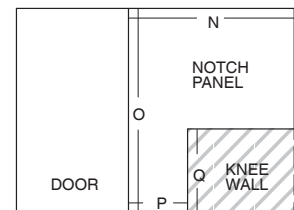
DIM W _____ DIM E _____
 Door Width Return Panel Width (7" min./48" max.)
 DIM S _____ DIM R _____
 Inline Panel Width (7" min./24" max.) Wall Height (from top of bath or threshold up)
 DIM L _____ DIM H _____
 Total Width (W+S) Height (from top of bath or threshold up)

Bath Door: max. 72" width, max. 60" height
Shower Door: max. 60" width, max. 72" height
Inline Panel: min. 7"/max. 24" width
Return Panel: min. 7"/max. 48" width

Not to exceed total width: Bath 96", Shower 84"

Step #6. If required, measure panel notches and fill in dimensions.

N _____ P _____
 O _____ Q _____
 Notched on Right
 Notched on Left



Notes: Minimum notched panel dimensions = 4" x 4".
 Notched panel must be at least 7" wide (measurement P) to prevent glass from breaking.

For questions on service parts, how to measure or choose a door, please contact your Customer Service Representative.

