

SAMPLE MEASURING SHEET

PROLINE® CUSTOM DOORS – Pivot/Swing Shower Doors

STYLE S1

Please fill in your name, phone number, and Steps #1 through #5. Take this worksheet to your local home improvement center or Sterling shower door supplier to process your order.

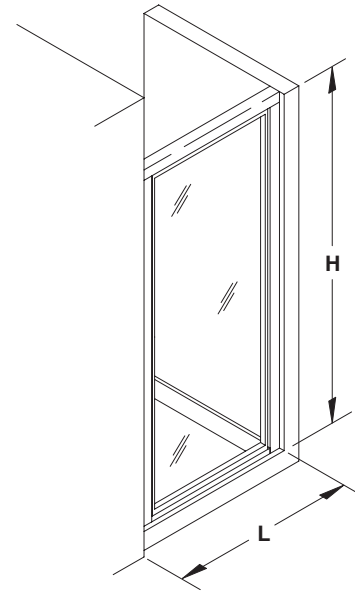
Customer Name _____
 Customer Phone # _____

For Store Use:

Model # _____
 P.O. Date _____ P.O. # _____
 Order Submitted By _____ Store # _____
 Company Name _____
 Store Phone # _____
 Store Fax # _____
 Store Address _____
 City _____ State ____ Zip _____
 Number of Units Required _____

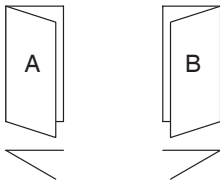
List Price \$ _____

* Framed style shown.



Note: Glass panels are **not** the exact size of the opening. Allow for framing.

Step #1. Circle desired layout.



Step #2. Check door style.

- Framed (4800/14800 Series) Frameless (4900/14900 Series)
 Check here if you require a steam unit (Framed models only – \$75.00 upcharge.) * For Frameless door style, only door panel(s) is/are frameless.

Step #3. Check frame finish.

- Silver Nickel (Frameless only)
 Matte Silver White
 Polished Brass

Step #4. Check glass type desired.

- Pebbled Solstice™
 Hammered Clear
 Rain (Framed only) Clear Tinted: Brown (\$100.00 upcharge)
 Moraine™ Clear Tinted: Grey (\$100.00 upcharge)
 Naturalist™ (Framed only)

Step #5. Measure installation area and fill in dimensions.

DIM L _____ DIM H _____
 Door Width Height (from threshold up)

Door: max. 36" width, max. 84" height

For questions on service parts, how to measure or choose a door, please contact your Customer Service Representative.



SAMPLE MEASURING SHEET

PROLINE® CUSTOM DOORS – Pivot/Swing Shower Doors

STYLE S2

Please fill in your name, phone number, and Steps #1 through #6. Take this worksheet to your local home improvement center or Sterling shower door supplier to process your order.

Customer Name _____
 Customer Phone # _____

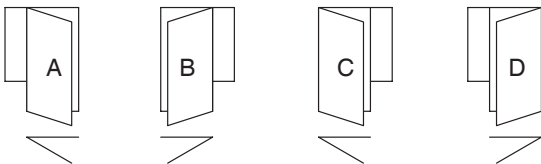
For Store Use:

Model # _____
 P.O. Date _____ P.O. # _____
 Order Submitted By _____ Store # _____
 Company Name _____
 Store Phone # _____
 Store Fax # _____
 Store Address _____
 City _____ State ____ Zip _____
 Number of Units Required _____

List Price \$ _____

Note: Glass panels are **not** the exact size of the opening. Allow for framing.

Step #1. Circle desired layout.



Step #2. Check door style.

- Framed (4800/14800 Series) Frameless (4900/14900 Series)
- Check here if you require a steam unit (Framed models only – \$75.00 upcharge.) * For Frameless door style, only door panel(s) is/are frameless.

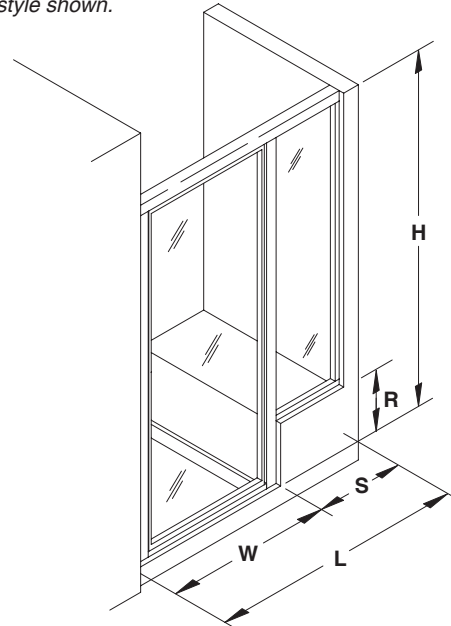
Step #3. Check frame finish.

- Silver Nickel (Frameless only)
- Matte Silver White
- Polished Brass

Step #4. Check glass type desired.

- Pebbled Solstice™
- Hammered Clear
- Rain (Framed only) Clear Tinted: Brown (\$100.00 upcharge)
- Moraine™ Clear Tinted: Grey (\$100.00 upcharge)
- Naturalist™ (Framed only)

* Framed style shown.



Step #5. Measure installation area and fill in dimensions.

DIM W _____ DIM R _____
 Door Width Wall Height (from threshold up)

DIM S _____ DIM H _____
 Inline Panel Width (6" min./24" max.) Height (from threshold up)

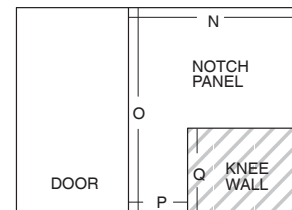
DIM L _____
 Total Width (W+S)

Door: max. 36" width
Inline Panel: min. 6"/max. 24" width
Maximum 60" total width, max. 84" height

Step #6. If required, measure panel notches and fill in dimensions.

N _____ P _____
 O _____ Q _____

- Notched on Right
- Notched on Left



Notes: Minimum notched panel dimensions = 4" x 4".
 Notched panel must be at least 7" wide (measurement P) to prevent glass from breaking.



For questions on service parts, how to measure or choose a door, please contact your Customer Service Representative.

SAMPLE MEASURING SHEET

PROLINE® CUSTOM DOORS – Pivot/Swing Shower Doors

STYLE S3

Please fill in your name, phone number, and Steps #1 through #6. Take this worksheet to your local home improvement center or Sterling shower door supplier to process your order.

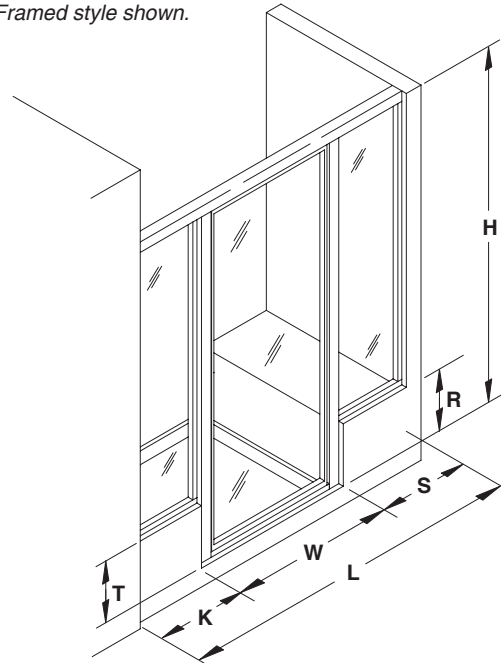
Customer Name _____
 Customer Phone # _____

For Store Use:

Model # _____
 P.O. Date _____ P.O. # _____
 Order Submitted By _____ Store # _____
 Company Name _____
 Store Phone # _____
 Store Fax # _____
 Store Address _____
 City _____ State _____ Zip _____
 Number of Units Required _____

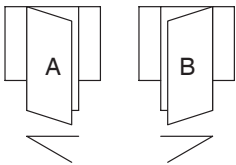
List Price \$ _____

* Framed style shown.



Note: Glass panels are **not** the exact size of the opening. Allow for framing.

Step #1. Circle desired layout.



Step #2. Check door style.

- Framed (4800/14800 Series) Frameless (4900/14900 Series)
 Check here if you require a steam unit (Framed models only – \$75.00 upcharge.) * For Frameless door style, only door panel(s) is/are frameless.

Step #3. Check frame finish.

- Silver Nickel (Frameless only)
 Matte Silver White
 Polished Brass

Step #4. Check glass type desired.

- Pebbled Solstice™
 Hammered Clear
 Rain (Framed only) Clear Tinted: Brown (\$100.00 upcharge)
 Moraine™
 Naturalist™ (Framed only) Clear Tinted: Grey (\$100.00 upcharge)

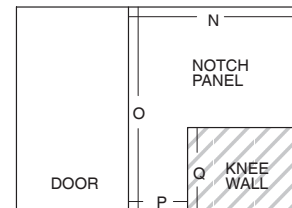
Step #5. Measure installation area and fill in dimensions.

- DIM W _____ Door Width
 DIM T _____ Wall Height (from threshold up)
 DIM K _____ Inline Panel Width (6" min./24" max.)
 DIM R _____ Wall Height (from threshold up)
 DIM S _____ Inline Panel Width (6" min./24" max.)
 DIM H _____ Height (from threshold up)
 DIM L _____ Total Width (W+K+S)

Door: max. 36" width
Inline Panels: min. 6"/max. 24" width
Maximum 84" total width, max. 84" height

Step #6. If required, measure panel notches and fill in dimensions.

- N _____ P _____
 O _____ Q _____
 Notched on Right
 Notched on Left



Notes: Minimum notched panel dimensions = 4" x 4".
 Notched panel must be at least 7" wide (measurement P) to prevent glass from breaking.

For questions on service parts, how to measure or choose a door, please contact your Customer Service Representative.



SAMPLE MEASURING SHEET

PROLINE® CUSTOM DOORS – Pivot/Swing Shower Doors

STYLE S4

Please fill in your name, phone number, and Steps #1 through #5. Take this worksheet to your local home improvement center or Sterling shower door supplier to process your order.

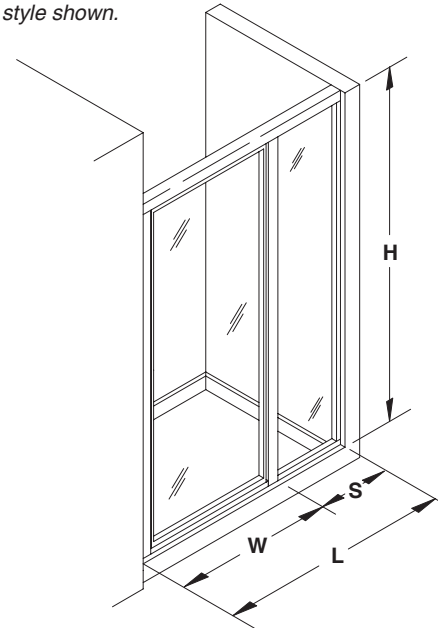
Customer Name _____
 Customer Phone # _____

For Store Use:

Model # _____
 P.O. Date _____ P.O. # _____
 Order Submitted By _____ Store # _____
 Company Name _____
 Store Phone # _____
 Store Fax # _____
 Store Address _____
 City _____ State ____ Zip _____
 Number of Units Required _____

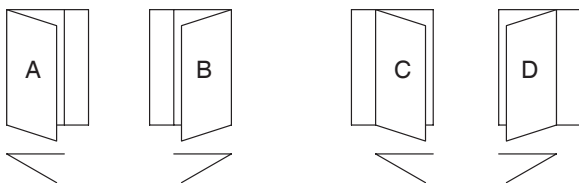
List Price \$ _____

* Framed style shown.



Note: Glass panels are **not** the exact size of the opening. Allow for framing.

Step #1. Circle desired layout.



Step #2. Check door style.

Framed (4800/14800 Series) Frameless (4900/14900 Series)
 Check here if you require a steam unit (Framed models only – \$75.00 upcharge.) * For Frameless door style, only door panel(s) is/are frameless.

Step #3. Check frame finish.

Silver Nickel (Frameless only)
 Matte Silver White
 Polished Brass

Step #4. Check glass type desired.

Pebbled Solstice™
 Hammered Clear
 Rain (Framed only) Clear Tinted: Brown (\$100.00 upcharge)
 Moraine™ Clear Tinted: Grey (\$100.00 upcharge)
 Naturalist™ (Framed only)

Step #5. Measure installation area and fill in dimensions.

DIM W _____ DIM H _____
 Door Width Height (from threshold up)
 DIM S _____
 Inline Panel Width (6" min./24" max.)
 DIM L _____
 Total Width (W+S)

Door: max. 36" width
Inline Panel: min. 6"/max. 24" width
Maximum 60" total width, max. 84" height



For questions on service parts, how to measure or choose a door, please contact your Customer Service Representative.

SAMPLE MEASURING SHEET

PROLINE® CUSTOM DOORS – Pivot/Swing Shower Doors

STYLE S5

Please fill in your name, phone number, and Steps #1 through #5. Take this worksheet to your local home improvement center or Sterling shower door supplier to process your order.

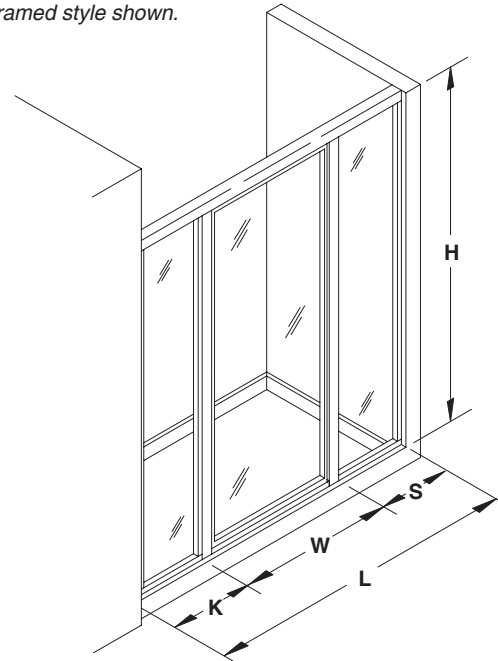
Customer Name _____
 Customer Phone # _____

For Store Use:

Model # _____
 P.O. Date _____ P.O. # _____
 Order Submitted By _____ Store # _____
 Company Name _____
 Store Phone # _____
 Store Fax # _____
 Store Address _____
 City _____ State _____ Zip _____
 Number of Units Required _____

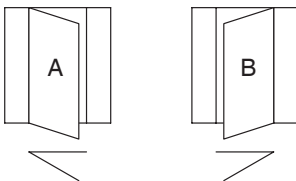
List Price \$ _____

* Framed style shown.



Note: Glass panels are **not** the exact size of the opening. Allow for framing.

Step #1. Circle desired layout.



Step #4. Check glass type desired.

- | | |
|--|--|
| <input type="checkbox"/> Pebbled | <input type="checkbox"/> Solstice™ |
| <input type="checkbox"/> Hammered | <input type="checkbox"/> Clear |
| <input type="checkbox"/> Rain (Framed only) | <input type="checkbox"/> Clear Tinted: Brown (\$100.00 upcharge) |
| <input type="checkbox"/> Moraine™ | <input type="checkbox"/> Clear Tinted: Grey (\$100.00 upcharge) |
| <input type="checkbox"/> Naturalist™ (Framed only) | |

Step #2. Check door style.

- | | |
|--|--|
| <input type="checkbox"/> Framed (4800/14800 Series) | <input type="checkbox"/> Frameless (4900/14900 Series) |
| <input type="checkbox"/> Check here if you require a steam unit (Framed models only – \$75.00 upcharge.) | * For Frameless door style, only door panel(s) is/are frameless. |

Step #3. Check frame finish.

- | | |
|---|--|
| <input type="checkbox"/> Silver | <input type="checkbox"/> Nickel (Frameless only) |
| <input type="checkbox"/> Matte Silver | <input type="checkbox"/> White |
| <input type="checkbox"/> Polished Brass | |

Step #5. Measure installation area and fill in dimensions.

DIM W _____ DIM H _____
 Door Width Height (from threshold up)

DIM K _____
 Inline Panel Width (6" min./24" max.)

DIM S _____
 Inline Panel Width (6" min./24" max.)

DIM L _____
 Total Width (W+K+S)

Door: max. 36" width
Inline Panels: min. 6"/max. 24" width
Maximum 84" total width, max. 84" height

For questions on service parts, how to measure or choose a door, please contact your Customer Service Representative.



SAMPLE MEASURING SHEET

PROLINE® CUSTOM DOORS – Pivot/Swing Shower Doors

STYLE S6

Please fill in your name, phone number, and Steps #1 through #5. Take this worksheet to your local home improvement center or Sterling shower door supplier to process your order.

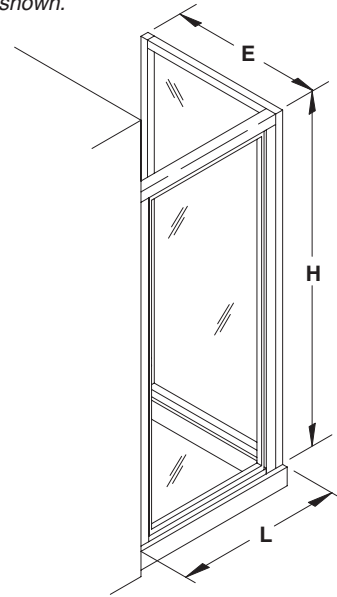
Customer Name _____
 Customer Phone # _____

For Store Use:

Model # _____
 P.O. Date _____ P.O. # _____
 Order Submitted By _____ Store # _____
 Company Name _____
 Store Phone # _____
 Store Fax # _____
 Store Address _____
 City _____ State ____ Zip _____
 Number of Units Required _____

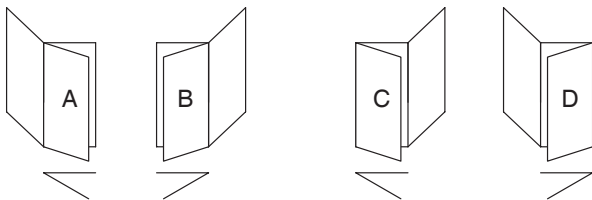
List Price \$ _____

* Framed style shown.



Note: Glass panels are **not** the exact size of the opening. Allow for framing.

Step #1. Circle desired layout.



Step #4. Check glass type desired.

- | | |
|--|--|
| <input type="checkbox"/> Pebbled | <input type="checkbox"/> Solstice™ |
| <input type="checkbox"/> Hammered | <input type="checkbox"/> Clear |
| <input type="checkbox"/> Rain (Framed only) | <input type="checkbox"/> Clear Tinted: Brown (\$100.00 upcharge) |
| <input type="checkbox"/> Moraine™ | <input type="checkbox"/> Clear Tinted: Grey (\$100.00 upcharge) |
| <input type="checkbox"/> Naturalist™ (Framed only) | |

Step #2. Check door style.

- | | |
|--|--|
| <input type="checkbox"/> Framed (4800/14800 Series) | <input type="checkbox"/> Frameless (4900/14900 Series) |
| <input type="checkbox"/> Check here if you require a steam unit (Framed models only – \$75.00 upcharge.) | * For Frameless door style, only door panel(s) is/are frameless. |

Step #5. Measure installation area and fill in dimensions.

DIM L _____ DIM H _____
 Door Width Height (from threshold up)
 DIM E _____
 Return Panel Width (6" min./48" max.)

Door: max. 36" width
Return Panel: min. 6"/max. 48" width
Maximum 84" height

Step #3. Check frame finish.

- | | |
|---|--|
| <input type="checkbox"/> Silver | <input type="checkbox"/> Nickel (Frameless only) |
| <input type="checkbox"/> Matte Silver | <input type="checkbox"/> White |
| <input type="checkbox"/> Polished Brass | |



For questions on service parts, how to measure or choose a door, please contact your Customer Service Representative.

SAMPLE MEASURING SHEET

PROLINE® CUSTOM DOORS – Pivot/Swing Shower Doors

STYLE S7

Please fill in your name, phone number, and Steps #1 through #5. Take this worksheet to your local home improvement center or Sterling shower door supplier to process your order.

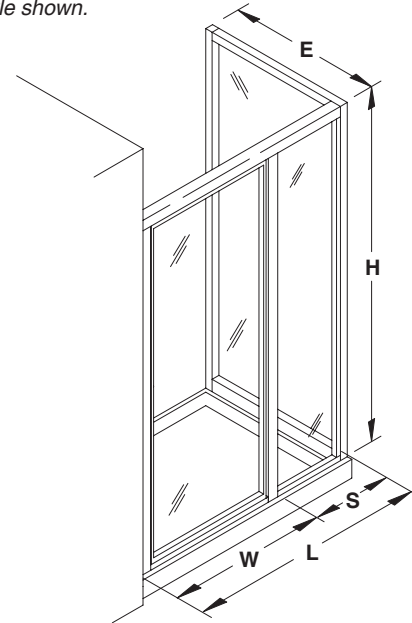
Customer Name _____
 Customer Phone # _____

For Store Use:

Model # _____
 P.O. Date _____ P.O. # _____
 Order Submitted By _____ Store # _____
 Company Name _____
 Store Phone # _____
 Store Fax # _____
 Store Address _____
 City _____ State ____ Zip _____
 Number of Units Required _____

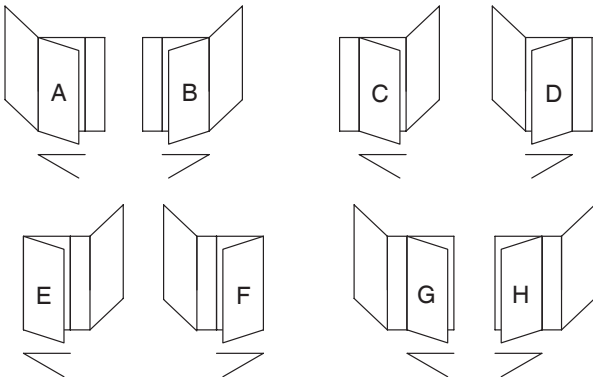
List Price \$ _____

* Framed style shown.



Note: Glass panels are **not** the exact size of the opening. Allow for framing.

Step #1. Circle desired layout.



Step #2. Check door style.

- | | |
|--|--|
| <input type="checkbox"/> Framed
(4800/14800 Series) | <input type="checkbox"/> Frameless
(4900/14900 Series) |
| <input type="checkbox"/> Check here if you require a steam unit (Framed models only – \$75.00 upcharge.) | * For Frameless door style, only door panel(s) is/are frameless. |

Step #3. Check frame finish.

- | | |
|---|--|
| <input type="checkbox"/> Silver | <input type="checkbox"/> Nickel (Frameless only) |
| <input type="checkbox"/> Matte Silver | <input type="checkbox"/> White |
| <input type="checkbox"/> Polished Brass | |

Step #4. Check glass type desired.

- | | |
|--|--|
| <input type="checkbox"/> Pebbled | <input type="checkbox"/> Solstice™ |
| <input type="checkbox"/> Hammered | <input type="checkbox"/> Clear |
| <input type="checkbox"/> Rain (Framed only) | <input type="checkbox"/> Clear Tinted: Brown (\$100.00 upcharge) |
| <input type="checkbox"/> Moraine™ | <input type="checkbox"/> Clear Tinted: Grey (\$100.00 upcharge) |
| <input type="checkbox"/> Naturalist™ (Framed only) | |

Step #5. Measure installation area and fill in dimensions.

DIM W _____ DIM E _____
 Door Width Return Panel Width (6" min./48" max.)
 DIM S _____ DIM H _____
 Inline Panel Width (6" min./24" max.) Height (from threshold up)
 DIM L _____
 Total Width (W+S)

Door: max. 36" width
Inline Panel: min. 6"/max. 24" width
Return Panel: min. 6"/max. 48" width
Maximum 60" total width, max. 84" height

For questions on service parts, how to measure or choose a door, please contact your Customer Service Representative.



SAMPLE MEASURING SHEET

PROLINE® CUSTOM DOORS – Pivot/Swing Shower Doors

STYLE S8

Please fill in your name, phone number, and Steps #1 through #5. Take this worksheet to your local home improvement center or Sterling shower door supplier to process your order.

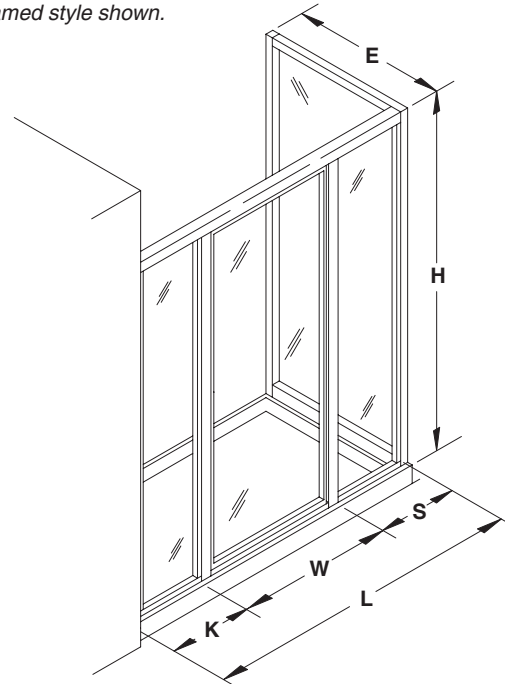
Customer Name _____
 Customer Phone # _____

For Store Use:

Model # _____
 P.O. Date _____ P.O. # _____
 Order Submitted By _____ Store # _____
 Company Name _____
 Store Phone # _____
 Store Fax # _____
 Store Address _____
 City _____ State _____ Zip _____
 Number of Units Required _____

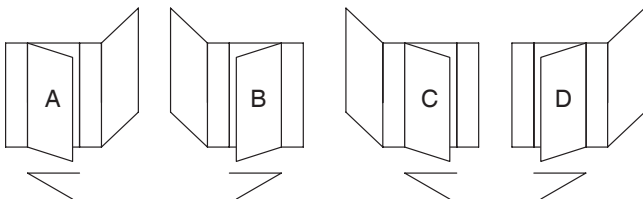
List Price \$ _____

* Framed style shown.



Note: Glass panels are **not** the exact size of the opening. Allow for framing.

Step #1. Circle desired layout.



Step #4. Check glass type desired.

- | | |
|--|--|
| <input type="checkbox"/> Pebbled | <input type="checkbox"/> Solstice™ |
| <input type="checkbox"/> Hammered | <input type="checkbox"/> Clear |
| <input type="checkbox"/> Rain (Framed only) | <input type="checkbox"/> Clear Tinted: Brown (\$100.00 upcharge) |
| <input type="checkbox"/> Moraine™ | <input type="checkbox"/> Clear Tinted: Grey (\$100.00 upcharge) |
| <input type="checkbox"/> Naturalist™ (Framed only) | |

Step #2. Check door style.

- | | |
|--|--|
| <input type="checkbox"/> Framed (4800/14800 Series) | <input type="checkbox"/> Frameless (4900/14900 Series) |
| <input type="checkbox"/> Check here if you require a steam unit (Framed models only – \$75.00 upcharge.) | * For Frameless door style, only door panel(s) is/are frameless. |

Step #3. Check frame finish.

- | | |
|---|--|
| <input type="checkbox"/> Silver | <input type="checkbox"/> Nickel (Frameless only) |
| <input type="checkbox"/> Matte Silver | <input type="checkbox"/> White |
| <input type="checkbox"/> Polished Brass | |

Step #5. Measure installation area and fill in dimensions.

DIM W _____ DIM E _____
 Door Width Return Panel Width (6" min./48" max.)
 DIM K _____ DIM H _____
 Inline Panel Width (6" min./24" max.) Height (from threshold up)
 DIM S _____
 Inline Panel Width (6" min./24" max.)
 DIM L _____
 Total Width (W+K+S)

Door: max. 36" width
Inline Panels: min. 6"/max. 24" width
Return Panel: min. 6"/max. 48" width
Maximum 84" total width, max. 84" height



For questions on service parts, how to measure or choose a door, please contact your Customer Service Representative.

SAMPLE MEASURING SHEET

PROLINE® CUSTOM DOORS – Pivot/Swing Shower Doors

STYLE S9

Please fill in your name, phone number, and Steps #1 through #5. Take this worksheet to your local home improvement center or Sterling shower door supplier to process your order.

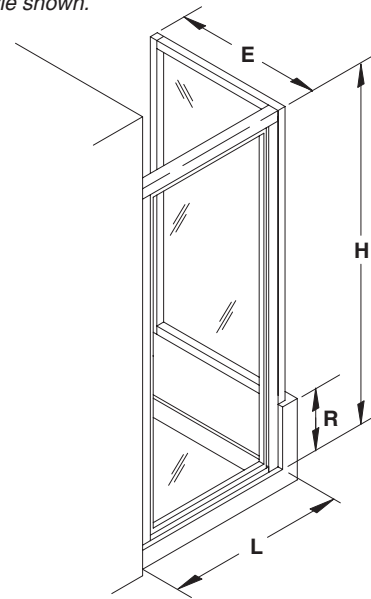
Customer Name _____
 Customer Phone # _____

For Store Use:

Model # _____
 P.O. Date _____ P.O. # _____
 Order Submitted By _____ Store # _____
 Company Name _____
 Store Phone # _____
 Store Fax # _____
 Store Address _____
 City _____ State ____ Zip _____
 Number of Units Required _____

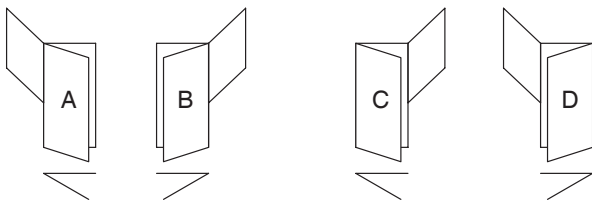
List Price \$ _____

* Framed style shown.



Note: Glass panels are **not** the exact size of the opening. Allow for framing.

Step #1. Circle desired layout.



Step #4. Check glass type desired.

- | | |
|--|--|
| <input type="checkbox"/> Pebbled | <input type="checkbox"/> Solstice™ |
| <input type="checkbox"/> Hammered | <input type="checkbox"/> Clear |
| <input type="checkbox"/> Rain (Framed only) | <input type="checkbox"/> Clear Tinted: Brown (\$100.00 upcharge) |
| <input type="checkbox"/> Moraine™ | <input type="checkbox"/> Clear Tinted: Grey (\$100.00 upcharge) |
| <input type="checkbox"/> Naturalist™ (Framed only) | |

Step #2. Check door style.

- | | |
|--|--|
| <input type="checkbox"/> Framed (4800/14800 Series) | <input type="checkbox"/> Frameless (4900/14900 Series) |
| <input type="checkbox"/> Check here if you require a steam unit (Framed models only – \$75.00 upcharge.) | * For Frameless door style, only door panel(s) is/are frameless. |

Step #5. Measure installation area and fill in dimensions.

DIM L _____ DIM R _____
 Door Width Wall Height (from threshold up)
 DIM E _____ DIM H _____
 Return Panel Width (6" min./48" max.) Height (from threshold up)

Door: max. 36" width
Return Panel: min. 6"/max. 48" width
Maximum 84" height

Step #3. Check frame finish.

- | | |
|---|--|
| <input type="checkbox"/> Silver | <input type="checkbox"/> Nickel (Frameless only) |
| <input type="checkbox"/> Matte Silver | <input type="checkbox"/> White |
| <input type="checkbox"/> Polished Brass | |

For questions on service parts, how to measure or choose a door, please contact your Customer Service Representative.



SAMPLE MEASURING SHEET

PROLINE® CUSTOM DOORS – Pivot/Swing Shower Doors

STYLE S10

Please fill in your name, phone number, and Steps #1 through #6. Take this worksheet to your local home improvement center or Sterling shower door supplier to process your order.

Customer Name _____
 Customer Phone # _____

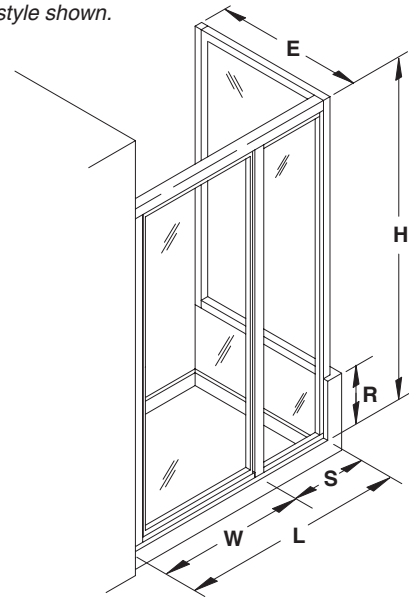
For Store Use:

Model # _____
 P.O. Date _____ P.O. # _____
 Order Submitted By _____ Store # _____
 Company Name _____
 Store Phone # _____
 Store Fax # _____
 Store Address _____
 City _____ State _____ Zip _____
 Number of Units Required _____

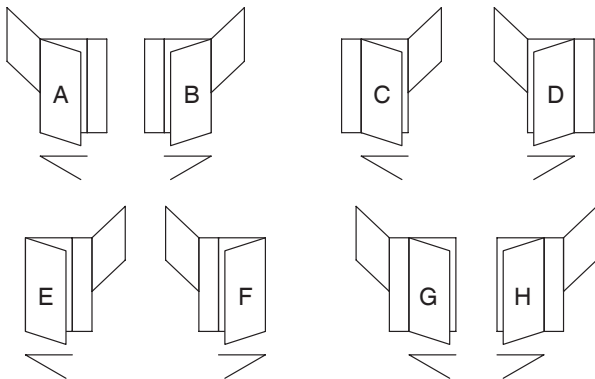
List Price \$ _____

Note: Glass panels are **not** the exact size of the opening. Allow for framing.

* Framed style shown.



Step #1. Circle desired layout.



Step #2. Check door style.

- Framed (4800/14800 Series) Frameless (4900/14900 Series)
 Check here if you require a steam unit (Framed models only – \$75.00 upcharge.) * For Frameless door style, only door panel(s) is/are frameless.

Step #3. Check frame finish.

- Silver Nickel (Frameless only)
 Matte Silver White
 Polished Brass

Step #4. Check glass type desired.

- Pebbled Solstice™
 Hammered Clear
 Rain (Framed only) Clear Tinted: Brown (\$100.00 upcharge)
 Moraine™ Clear Tinted: Grey (\$100.00 upcharge)
 Naturalist™ (Framed only)

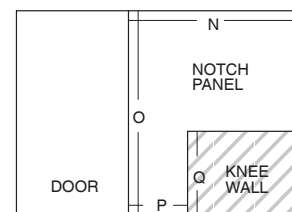
Step #5. Measure installation area and fill in dimensions.

DIM W _____ DIM E _____
 Door Width Return Panel Width (6" min./48" max.)
 DIM S _____ DIM R _____
 Inline Panel Width (6" min./24" max.) Wall Height (from threshold up)
 DIM L _____ DIM H _____
 Total Width (W+S) Height (from threshold up)

Door: max. 36" width
Inline Panel: min. 6"/max. 24" width
Return Panel: min. 6"/max. 48" width
Maximum 60" total width, max. 84" height

Step #6. If required, measure panel notches and fill in dimensions.

- N _____ P _____
 O _____ Q _____
 Notched on Right
 Notched on Left



Notes: Minimum notched panel dimensions = 4" x 4".
 Notched panel must be at least 7" wide (measurement P) to prevent glass from breaking.



For questions on service parts, how to measure or choose a door, please contact your Customer Service Representative.

SAMPLE MEASURING SHEET

PROLINE® CUSTOM DOORS – Pivot/Swing Shower Doors

STYLE S11

Please fill in your name, phone number, and Steps #1 through #6. Take this worksheet to your local home improvement center or Sterling shower door supplier to process your order.

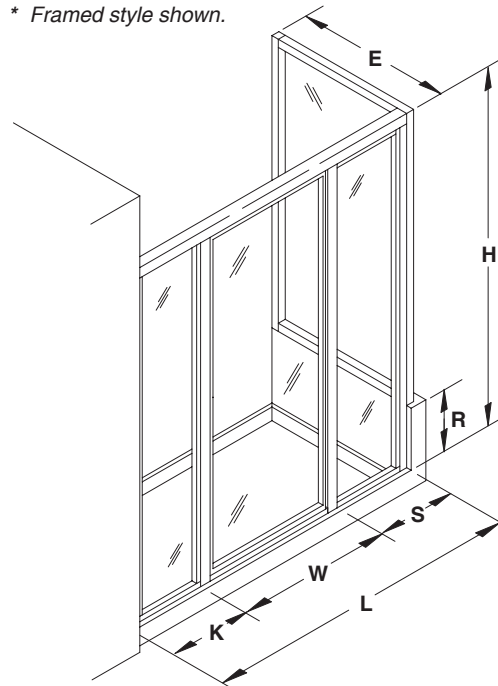
Customer Name _____
 Customer Phone # _____

For Store Use:

Model # _____
 P.O. Date _____ P.O. # _____
 Order Submitted By _____ Store # _____
 Company Name _____
 Store Phone # _____
 Store Fax # _____
 Store Address _____
 City _____ State _____ Zip _____
 Number of Units Required _____

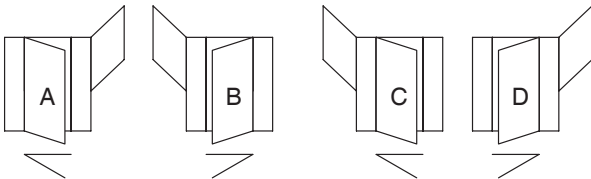
List Price \$ _____

* Framed style shown.



Note: Glass panels are **not** the exact size of the opening. Allow for framing.

Step #1. Circle desired layout.



Step #2. Check door style.

- Framed (4800/14800 Series) Frameless (4900/14900 Series)
 Check here if you require a steam unit (Framed models only – \$75.00 upcharge.) * For Frameless door style, only door panel(s) is/are frameless.

Step #3. Check frame finish.

- Silver Nickel (Frameless only)
 Matte Silver White
 Polished Brass

Step #4. Check glass type desired.

- Pebbled Solstice™
 Hammered Clear
 Rain (Framed only) Clear Tinted: Brown (\$100.00 upcharge)
 Moraine™ Clear Tinted: Grey (\$100.00 upcharge)
 Naturalist™ (Framed only)

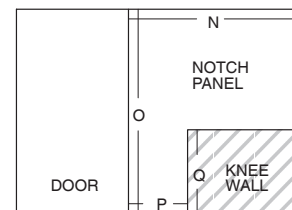
Step #5. Measure installation area and fill in dimensions.

DIM W _____ DIM E _____
 Door Width Return Panel Width (6" min./48" max.)
 DIM K _____ DIM R _____
 Inline Panel Width (6" min./24" max.) Wall Height (from threshold up)
 DIM S _____ DIM H _____
 Inline Panel Width (6" min./24" max.) Height (from threshold up)
 DIM L _____
 Total Width (W+K+S)

Door: max. 36" width
Inline Panels: min. 6"/max. 24" width
Return Panel: min. 6"/max. 48" width
Maximum 84" total width, max. 84" height

Step #6. If required, measure panel notches and fill in dimensions.

N _____ P _____
 O _____ Q _____
 Notched on Right
 Notched on Left



Notes: Minimum notched panel dimensions = 4" x 4".
 Notched panel must be at least 7" wide (measurement P) to prevent glass from breaking.

For questions on service parts, how to measure or choose a door, please contact your Customer Service Representative.



SAMPLE MEASURING SHEET

PROLINE® CUSTOM DOORS – Pivot/Swing Shower Doors

STYLE S12

Please fill in your name, phone number, and Steps #1 through #6. Take this worksheet to your local home improvement center or Sterling shower door supplier to process your order.

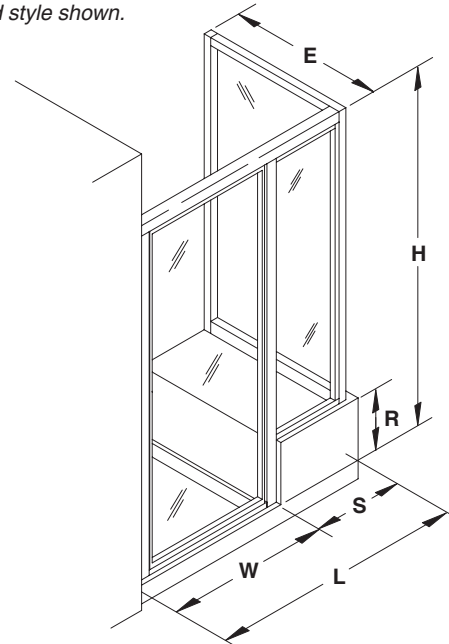
Customer Name _____
Customer Phone # _____

For Store Use:

Model # _____
P.O. Date _____ P.O. # _____
Order Submitted By _____ Store # _____
Company Name _____
Store Phone # _____
Store Fax # _____
Store Address _____
City _____ State _____ Zip _____
Number of Units Required _____

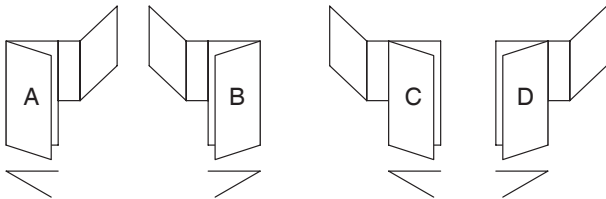
List Price \$ _____

* Framed style shown.



Note: Glass panels are **not** the exact size of the opening. Allow for framing.

Step #1. Circle desired layout.



Step #2. Check door style.

- Framed (4800/14800 Series) Frameless (4900/14900 Series)
- Check here if you require a steam unit (Framed models only – \$75.00 upcharge.) * For Frameless door style, only door panel(s) is/are frameless.

Step #3. Check frame finish.

- Silver Nickel (Frameless only)
- Matte Silver White
- Polished Brass

Step #4. Check glass type desired.

- Pebbled Solstice™
- Hammered Clear
- Rain (Framed only) Clear Tinted: Brown (\$100.00 upcharge)
- Moraine™ Clear Tinted: Grey (\$100.00 upcharge)
- Naturalist™ (Framed only)

Step #5. Measure installation area and fill in dimensions.

DIM W _____ DIM E _____
Door Width Return Panel Width (6" min./48" max.)

DIM S _____ DIM R _____
Inline Panel Width (6" min./24" max.) Wall Height (from threshold up)

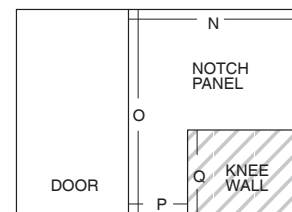
DIM L _____ DIM H _____
Total Width (W+S) Height (from threshold up)

Door: max. 36" width
Inline Panel: min. 6"/max. 24" width
Return Panel: min. 6"/max. 48" width
Maximum 60" total width, max. 84" height

Step #6. If required, measure panel notches and fill in dimensions.

N _____ P _____
O _____ Q _____

- Notched on Right
- Notched on Left



Notes: Minimum notched panel dimensions = 4" x 4".
Notched panel must be at least 7" wide (measurement P) to prevent glass from breaking.



For questions on service parts, how to measure or choose a door, please contact your Customer Service Representative.

SAMPLE MEASURING SHEET

PROLINE® CUSTOM DOORS – Pivot/Swing Shower Doors

STYLE S13

Please fill in your name, phone number, and Steps #1 through #6. Take this worksheet to your local home improvement center or Sterling shower door supplier to process your order.

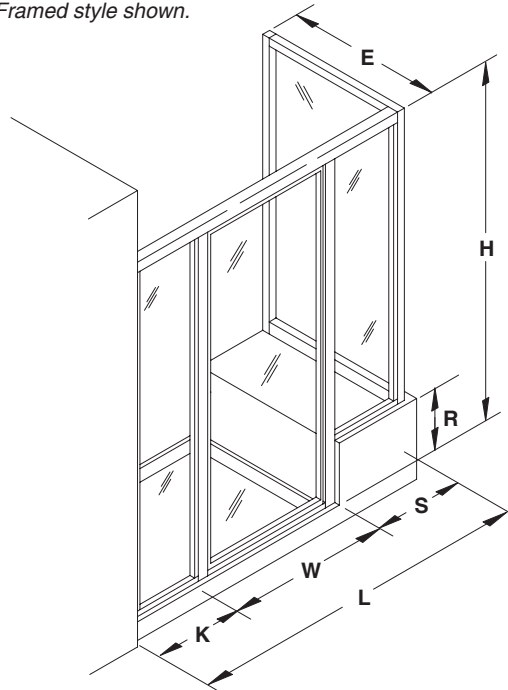
Customer Name _____
Customer Phone # _____

For Store Use:

Model # _____
P.O. Date _____ P.O. # _____
Order Submitted By _____ Store # _____
Company Name _____
Store Phone # _____
Store Fax # _____
Store Address _____
City _____ State _____ Zip _____
Number of Units Required _____

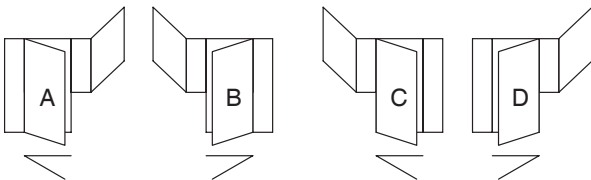
List Price \$ _____

* Framed style shown.



Note: Glass panels are **not** the exact size of the opening. Allow for framing.

Step #1. Circle desired layout.



Step #2. Check door style.

- | | |
|--|--|
| <input type="checkbox"/> Framed
(4800/14800 Series) | <input type="checkbox"/> Frameless
(4900/14900 Series) |
| <input type="checkbox"/> Check here if you require a steam unit (Framed models only – \$75.00 upcharge.) | * For Frameless door style, only door panel(s) is/are frameless. |

Step #3. Check frame finish.

- | | |
|---|--|
| <input type="checkbox"/> Silver | <input type="checkbox"/> Nickel (Frameless only) |
| <input type="checkbox"/> Matte Silver | <input type="checkbox"/> White |
| <input type="checkbox"/> Polished Brass | |

Step #4. Check glass type desired.

- | | |
|--|--|
| <input type="checkbox"/> Pebbled | <input type="checkbox"/> Solstice™ |
| <input type="checkbox"/> Hammered | <input type="checkbox"/> Clear |
| <input type="checkbox"/> Rain (Framed only) | <input type="checkbox"/> Clear Tinted: Brown (\$100.00 upcharge) |
| <input type="checkbox"/> Moraine™ | <input type="checkbox"/> Clear Tinted: Grey (\$100.00 upcharge) |
| <input type="checkbox"/> Naturalist™ (Framed only) | |

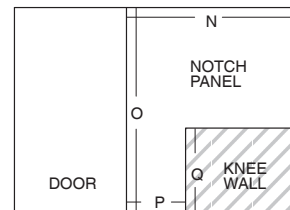
Step #5. Measure installation area and fill in dimensions.

- | | |
|--|--|
| DIM W _____
Door Width | DIM E _____
Return Panel Width (6" min./48" max.) |
| DIM K _____
Inline Panel Width (6" min./24" max.) | DIM R _____
Wall Height (from threshold up) |
| DIM S _____
Inline Panel Width (6" min./24" max.) | DIM H _____
Height (from threshold up) |
| DIM L _____
Total Width (W+K+S) | |

Door: max. 36" width
Inline Panels: min. 6"/max. 24" width
Return Panel: min. 6"/max. 48" width
Maximum 84" total width, max. 84" height

Step #6. If required, measure panel notches and fill in dimensions.

- N _____ P _____
O _____ Q _____
- Notched on Right
 Notched on Left



Notes: Minimum notched panel dimensions = 4" x 4".
Notched panel must be at least 7" wide (measurement P) to prevent glass from breaking.

For questions on service parts, how to measure or choose a door, please contact your Customer Service Representative.



SAMPLE MEASURING SHEET

PROLINE® CUSTOM DOORS – Pivot/Swing Shower Doors

STYLE S14

Please fill in your name, phone number, and Steps #1 through #6. Take this worksheet to your local home improvement center or Sterling shower door supplier to process your order.

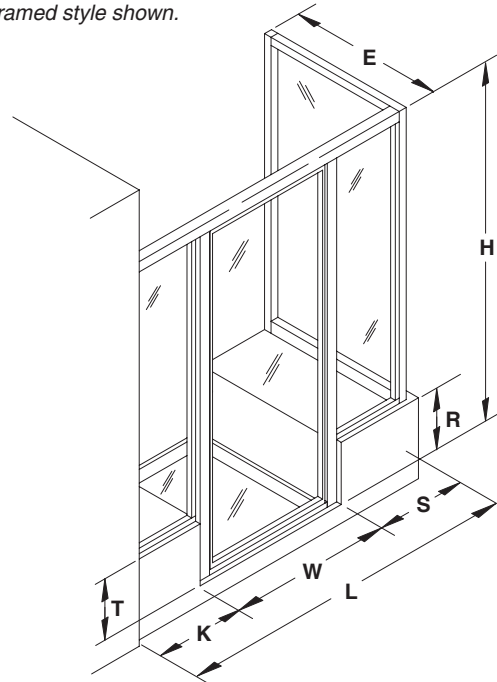
Customer Name _____
 Customer Phone # _____

For Store Use:

Model # _____
 P.O. Date _____ P.O. # _____
 Order Submitted By _____ Store # _____
 Company Name _____
 Store Phone # _____
 Store Fax # _____
 Store Address _____
 City _____ State _____ Zip _____
 Number of Units Required _____

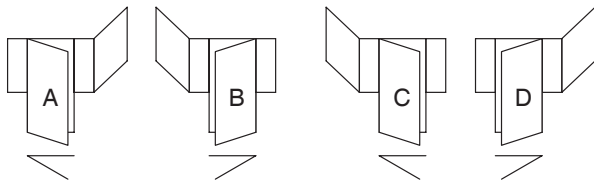
List Price \$ _____

* Framed style shown.



Note: Glass panels are **not** the exact size of the opening. Allow for framing.

Step #1. Circle desired layout.



Step #2. Check door style.

- Framed (4800/14800 Series) Frameless (4900/14900 Series)
 Check here if you require a steam unit (Framed models only – \$75.00 upcharge.) * For Frameless door style, only door panel(s) is/are frameless.

Step #3. Check frame finish.

- Silver Nickel (Frameless only)
 Matte Silver White
 Polished Brass

Step #4. Check glass type desired.

- Pebbled Solstice™
 Hammered Clear
 Rain (Framed only) Clear Tinted: Brown (\$100.00 upcharge)
 Moraine™ Clear Tinted: Grey (\$100.00 upcharge)
 Naturalist™ (Framed only)

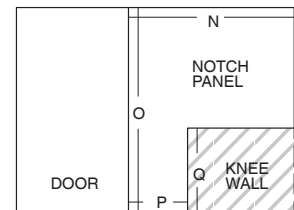
Step #5. Measure installation area and fill in dimensions.

DIM W _____ Door Width
 DIM E _____ Return Panel Width (6" min./48" max.)
 DIM K _____ Inline Panel Width (6" min./24" max.)
 DIM T _____ Wall Height (from threshold up)
 DIM S _____ Inline Panel Width (6" min./24" max.)
 DIM R _____ Wall Height (from threshold up)
 DIM L _____ Total Width (W+K+S)
 DIM H _____ Height (from threshold up)

Door: max. 36" width
Inline Panels: min. 6"/max. 24" width
Return Panel: min. 6"/max. 48" width
Maximum 84" total width, max. 84" height

Step #6. If required, measure panel notches and fill in dimensions.

N _____ P _____
 O _____ Q _____
 Notched on Right
 Notched on Left



Notes: Minimum notched panel dimensions = 4" x 4".
 Notched panel must be at least 7" wide (measurement P) to prevent glass from breaking.



For questions on service parts, how to measure or choose a door, please contact your Customer Service Representative.